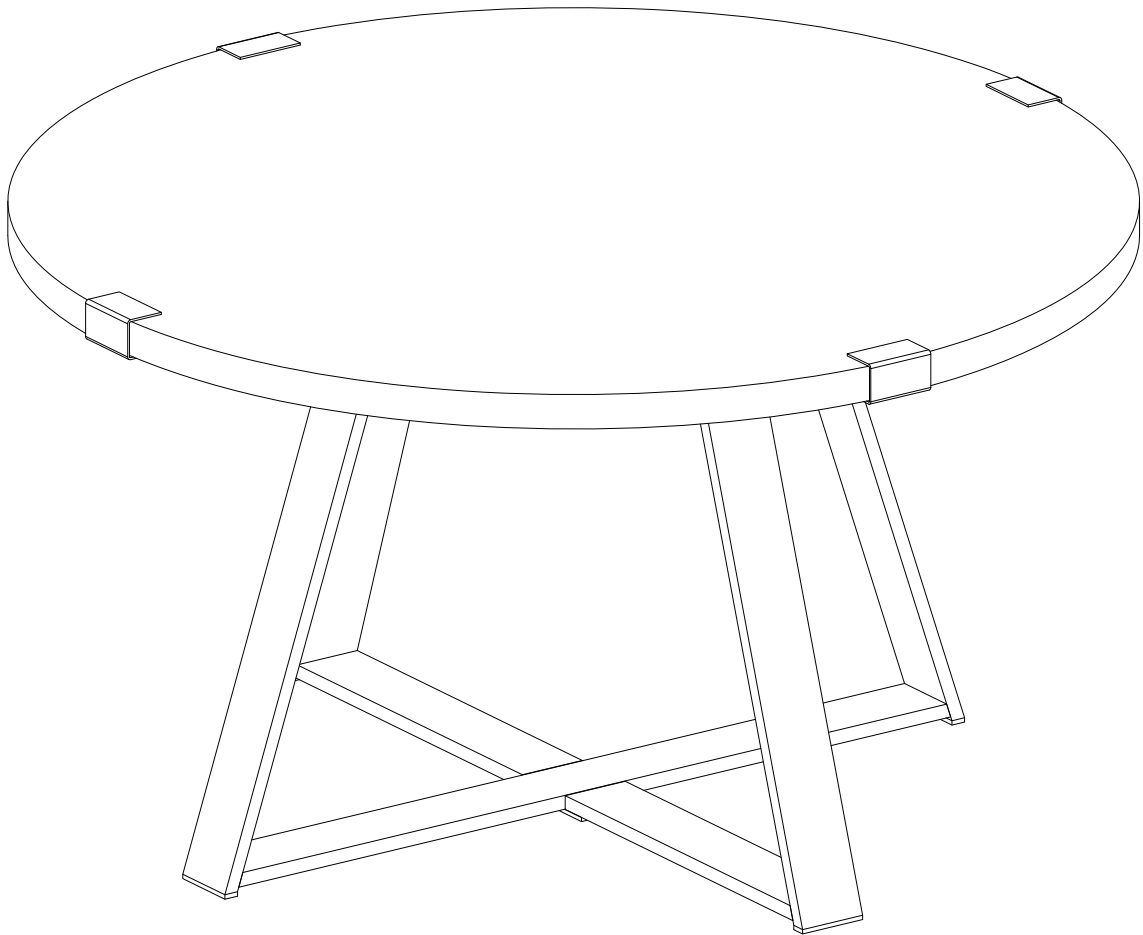


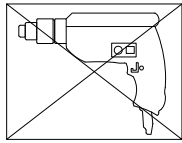
Assembly Instructions



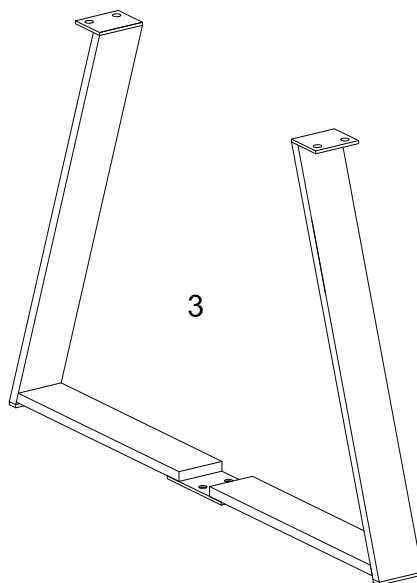
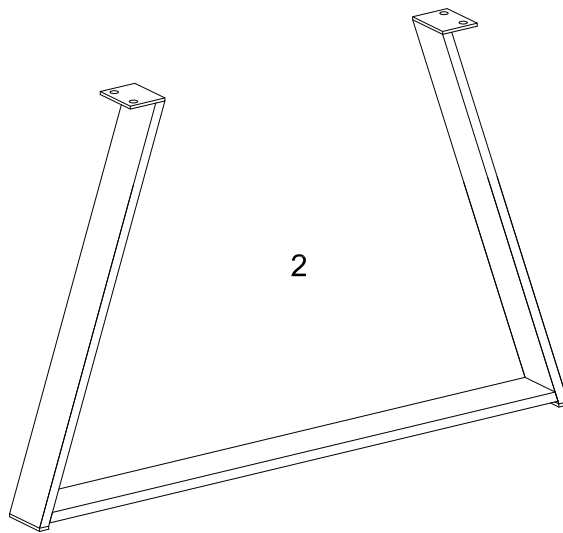
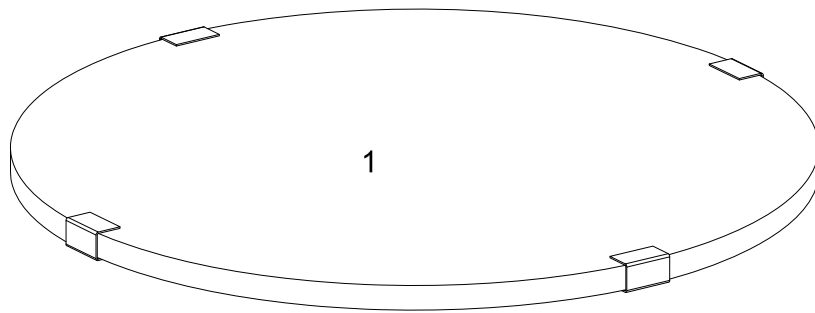
Please visit our website for the most current instructions, assembly tips, report damage, or request parts.

General Assembly Guidelines




- I. Ensure that all parts and hardware are available before beginning assembly.
- II. Follow each step carefully to ensure the proper assembly of this product.
- III. Two people are recommended for ease in the assembly of this product.
- IV. The main type of hardware used to assemble this product is: bolts.
- V. Power tools should not be used to assemble this product .

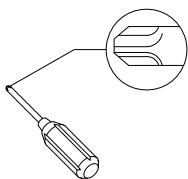


Parts List



Hardware List

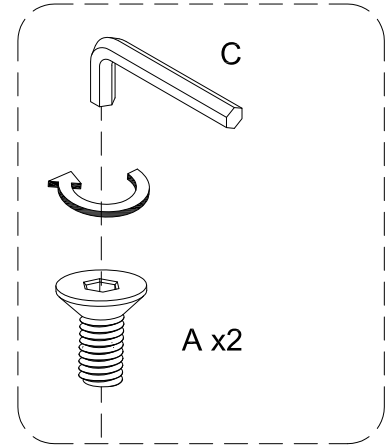
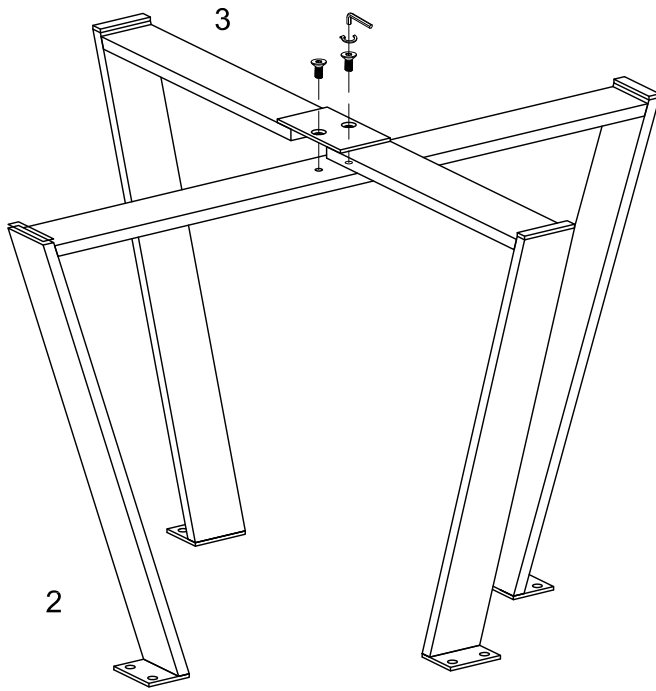
A		M6x10mm	Bolt	2 pcs
B		M6x15mm	Bolt	8 pcs
C		M 4	Hex Key	1 pcs



Philips head screwdriver required for assembly
(not included)

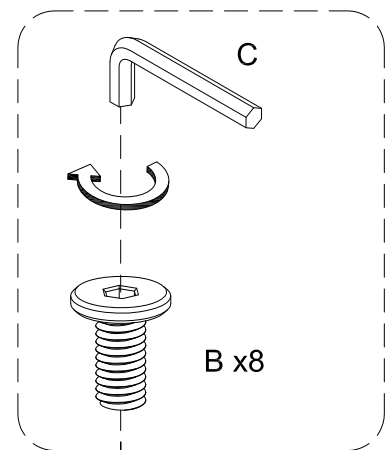
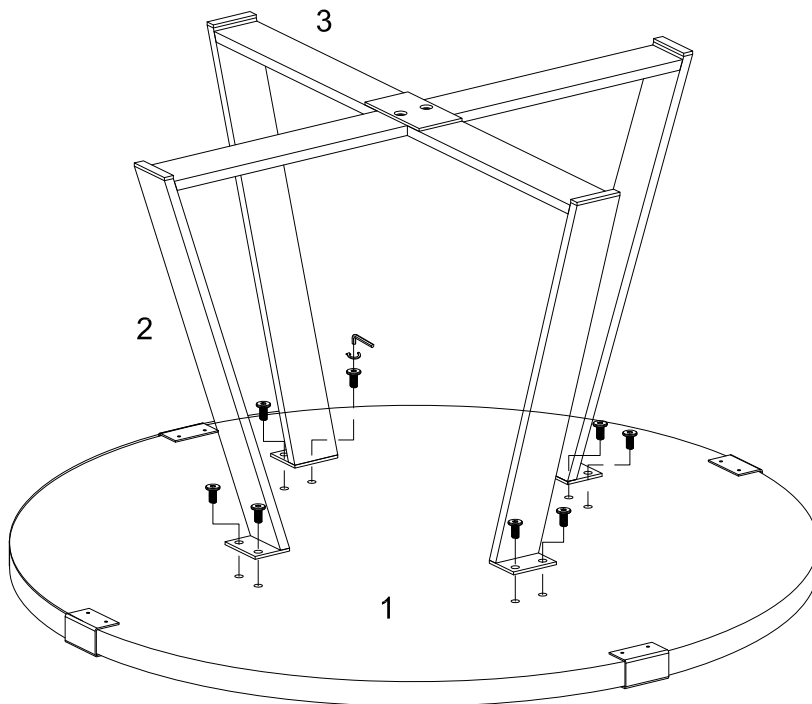
*The hardware quantities listed above are required for proper assembly.
Some extra hardware may also have been included.*

Step 1



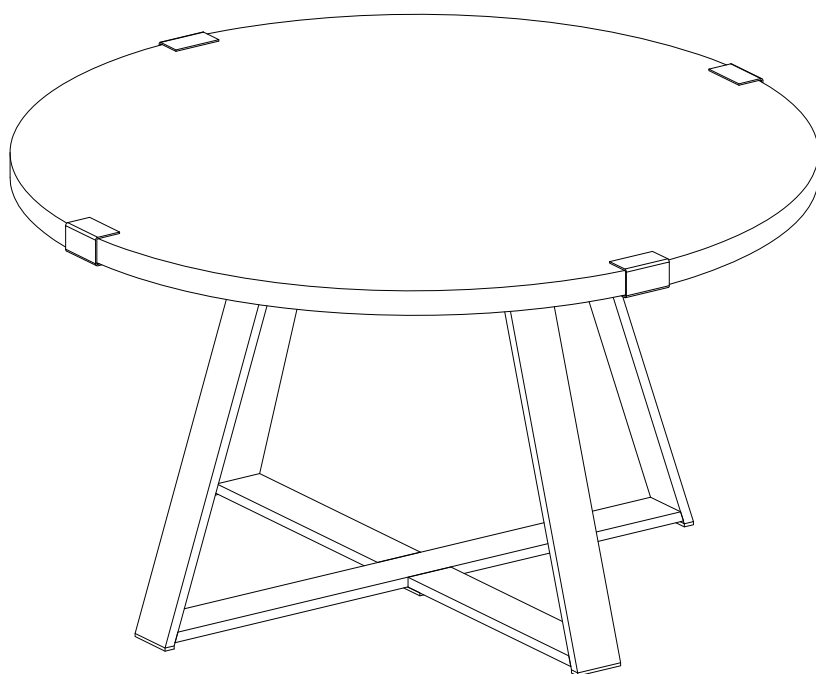
Attach part (3) to part (2) using bolt (A) with hex key (C).

Step 2



Attach part (2,3) to part (1) using bolt (B) with hex key (C).

Step 3



Final Assembly