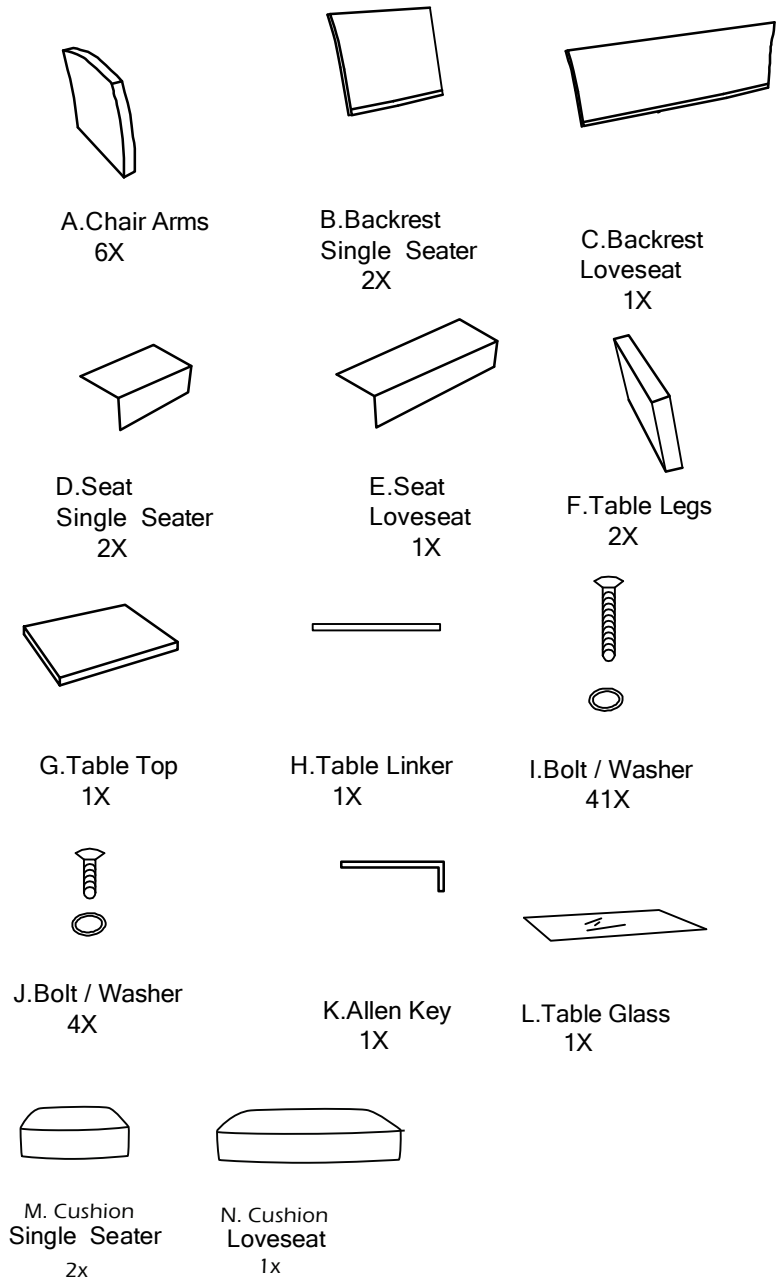


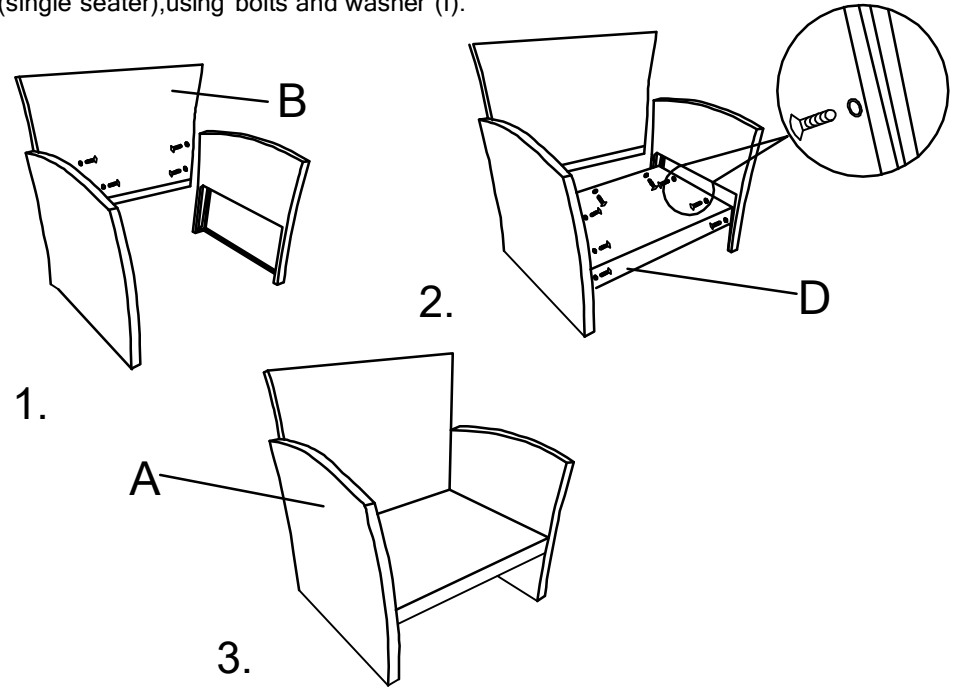
PARTS AND HARDWARE

Avoid using sharp objects such as a knife to cut open packing as you may accidentally damage the upholstery.

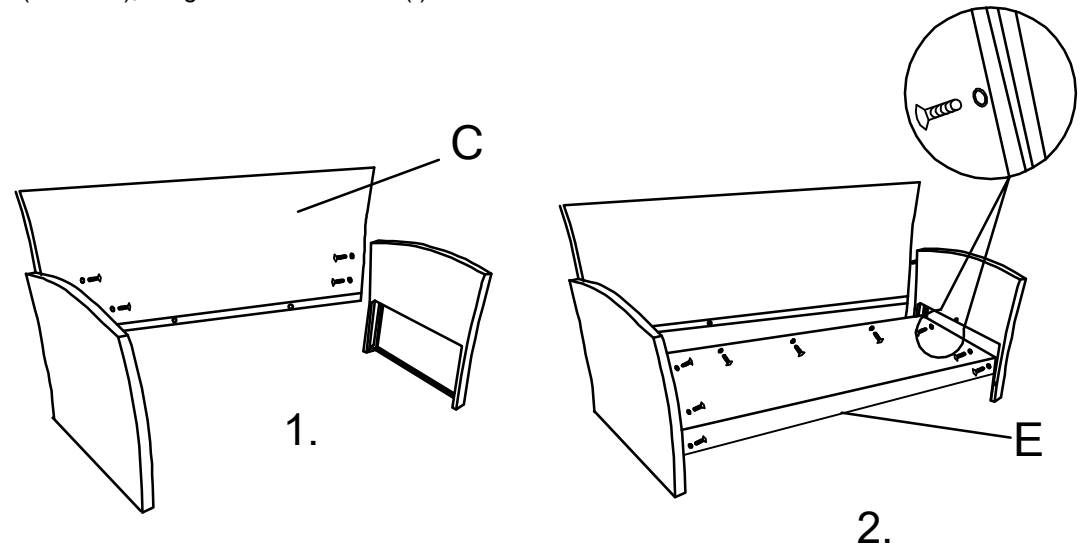


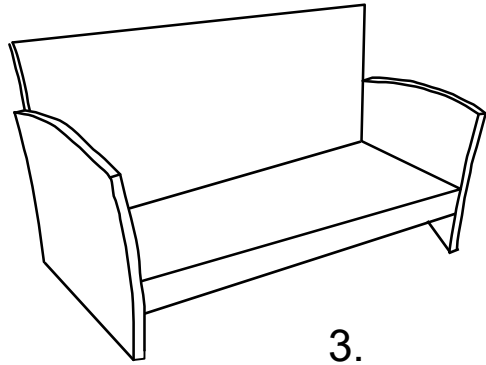
Do not fully tighten bolts until assembly is complete.

1. Assemble the chair arms (A) to the seat (D) (single seater) and the backrest (B) (single seater), using bolts and washer (I).

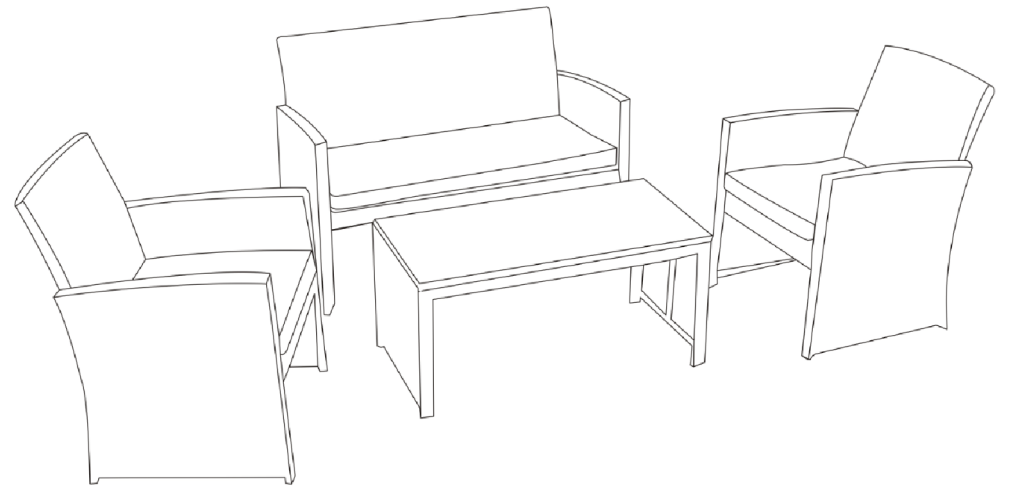
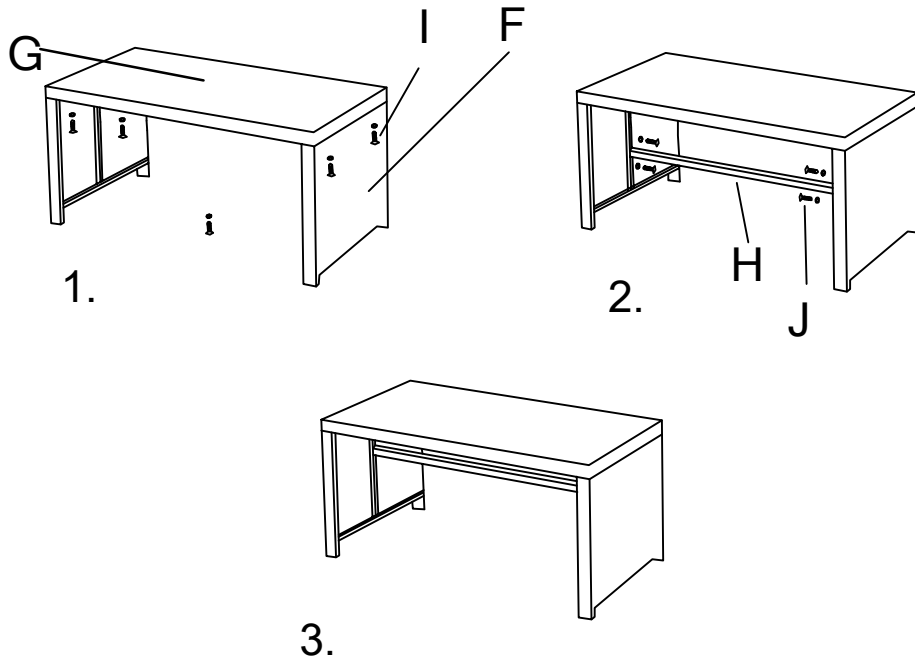


2. Assemble the chair arms (A) to the seat (D) (loveseat) and the backrest (C) (loveseat), using bolts and washer (I).





3. Assemble the table legs (F) to the table top (G) and table linker(H), using bolts and washer (J / I).



ASSEMBLY INSTRUCTIONS