

CAUTION

Please do not return this item to the store where it was purchased

We appreciate your selection of our product. You can have confidence in this product that incorporates quality components. Please do not return this item to where it was purchased, if any question, please contact our Customer Service Department.

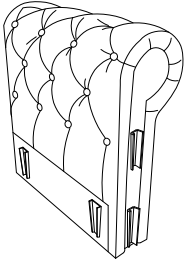
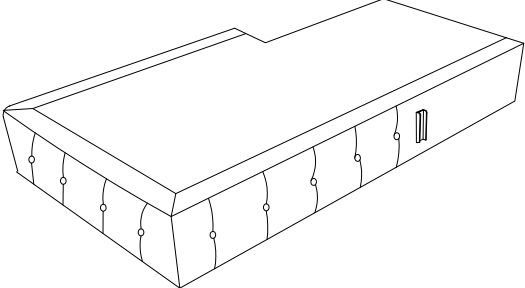
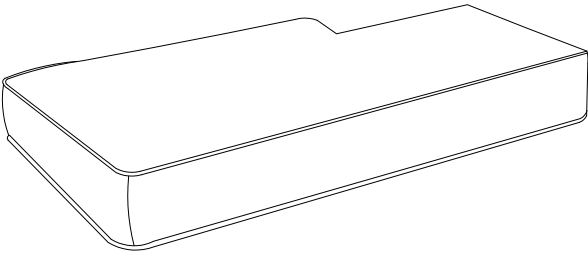
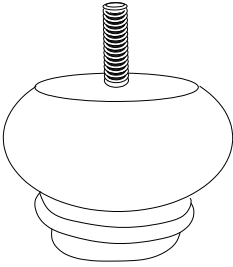
Quality statement

It is appreciated your selection of this product, we know you had many other choices. Please pay attention that proper care and cleaning at home will extend the life of your purchase. Following these important and helpful tips will enhance your furniture as it ages.

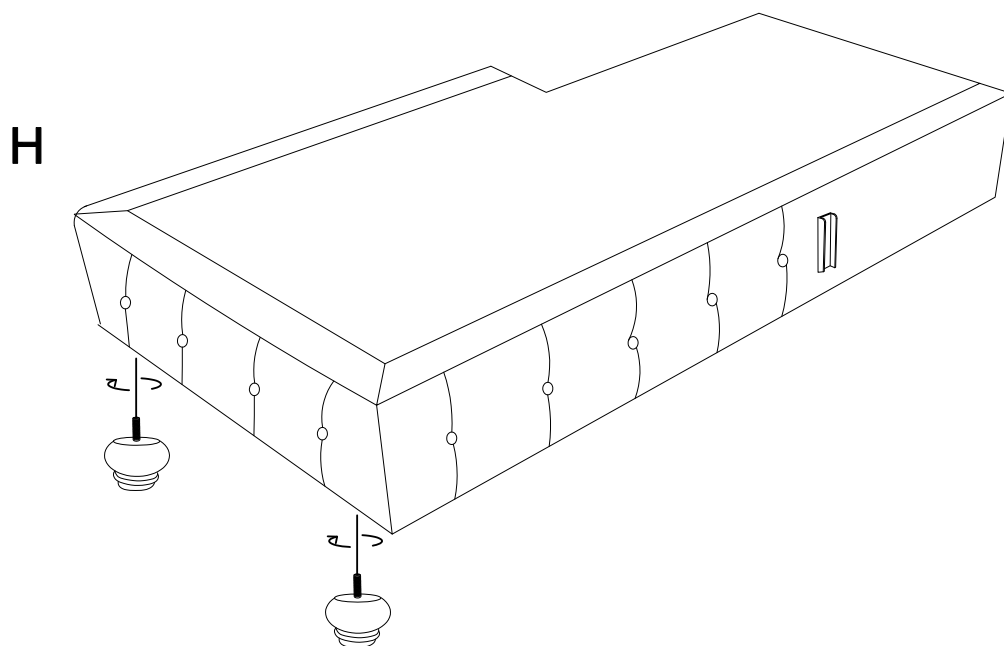
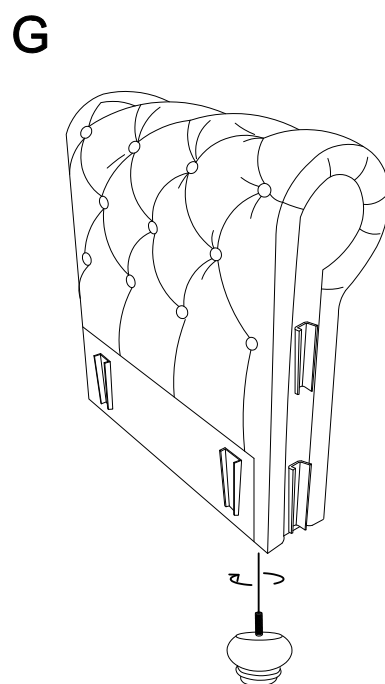
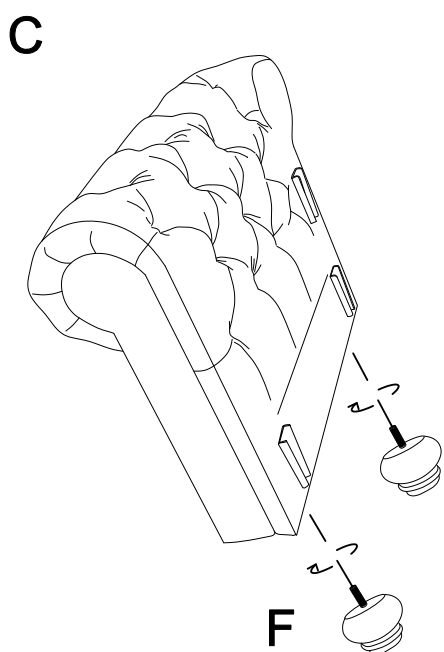
Upholstered furniture care instructions

- Vacuum your upholstered furniture regularly. Small dust particles are very abrasive and can wear furniture prematurely.
- Blot spills immediately to prevent staining. If necessary, gently wipe away the spill using a soft, clean cloth dampened with lukewarm water. Allow to dry and brush lightly.
- Never use harsh chemicals or solvents on your upholstered furniture as this may damage the finish.
- Never use water to clean your furniture as it may cause damage to the finish.
- If you choose to use a professional product, pretest the fabric in an inconspicuous area for any signs of discoloration or shrinking.
- Marks and stains from pens, crayons and ink markers are difficult to remove. In the event that your furniture becomes permanently stained, we recommend that you consult a professional expert.

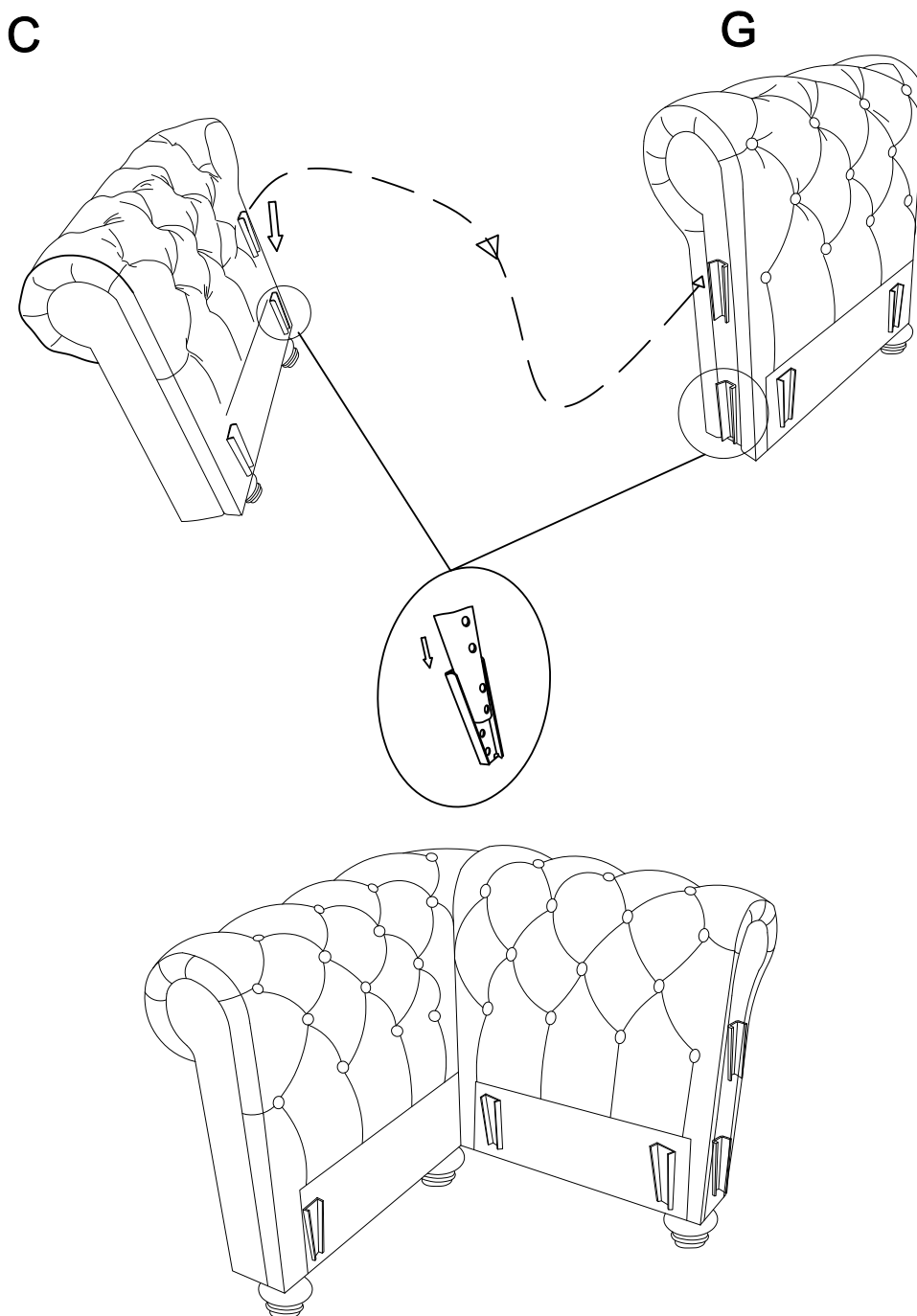
PARTS LIST

G	1PCE	H	1PCE
Back Frame		Seat Frame	
			
J	1PCE	F	3PCS
Seat Cushion		Legs	
			

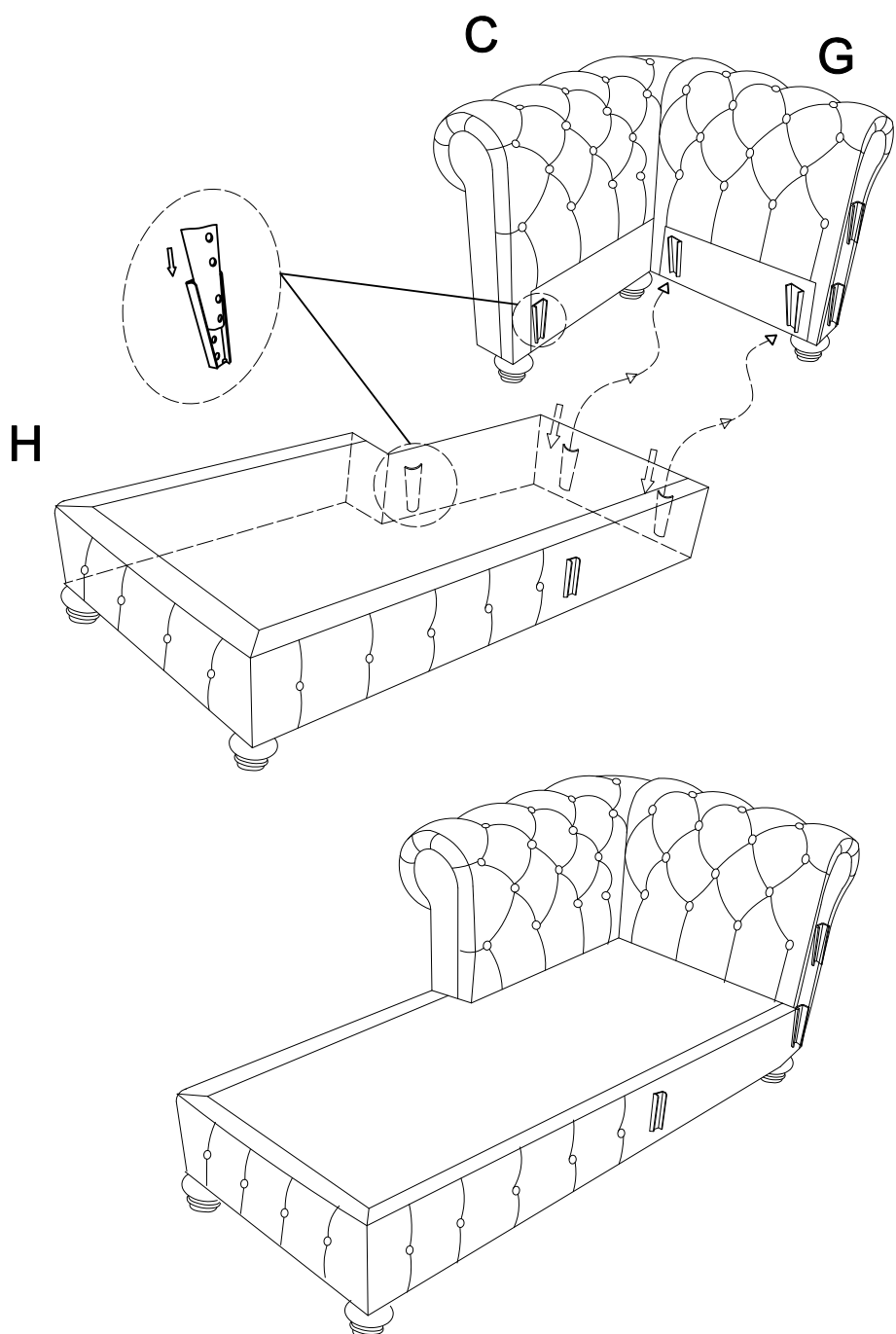
Step 1: Assemble the Legs(F) to the Left Armrest (C) & Back Frame (G) & Seat Frame (H).



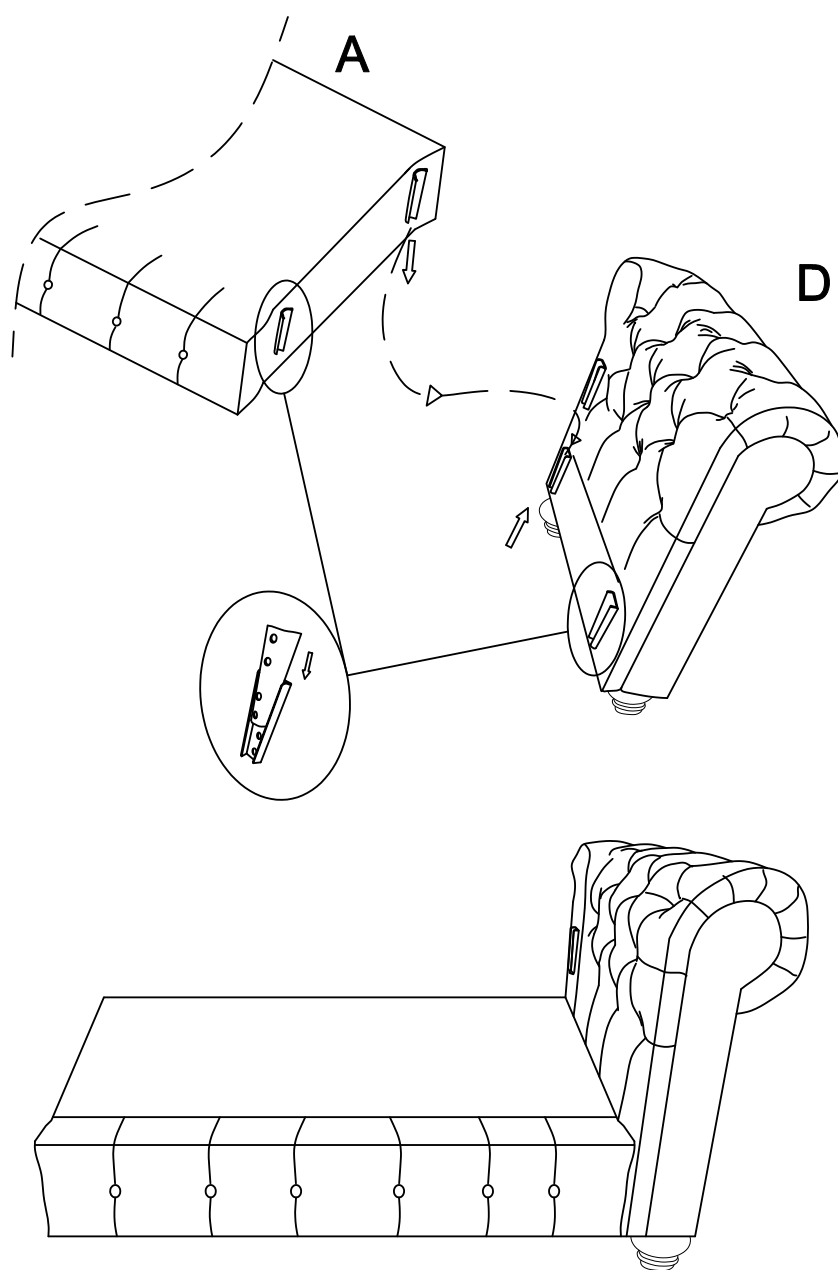
Step2: Slide male pin of the Back Frame (G) into the slot of Left Armrest (C) for assembly.



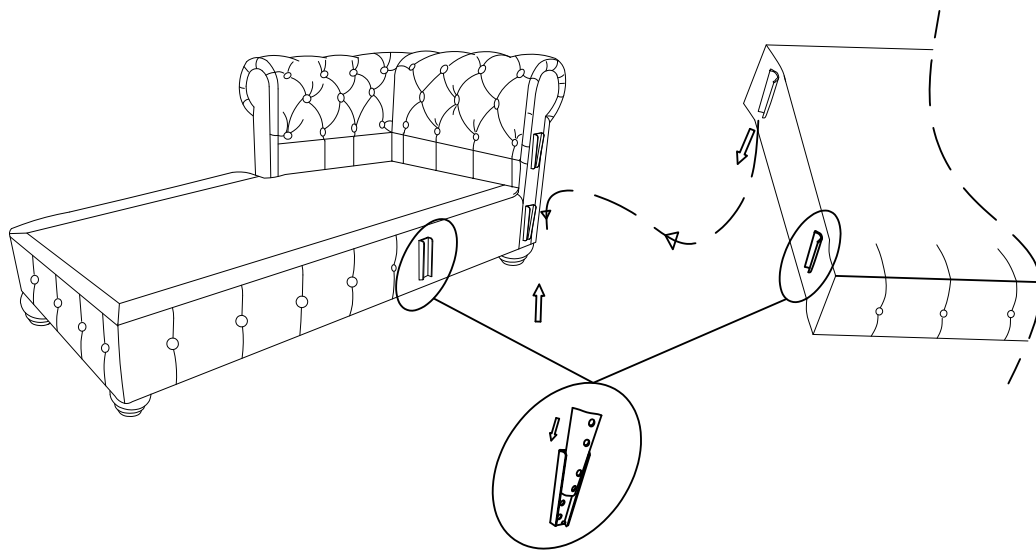
Step3: Slide male pin of the Seat Frame (H) into the slot of left Armrest(C) and Back Frame(G) for assembly.



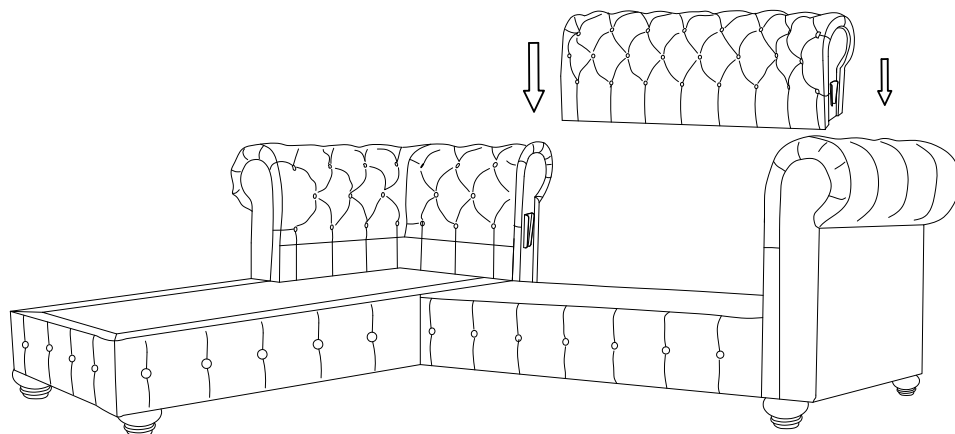
Step4:Slide the male pin of loveseat or sofa seat Frame(A) into the slot of Right Armrest(D) for Assembly.



Step5:Slide the male pin of the Loveseat/Sofa Seat Frame into the slots of the chaise Seat Frame(H).



Step6:Slide the male pin of Back Frame (B) into the chaise Back Frame(G) and right Armrest.



Step 7: Place the Seat Cushion (J/E) on the Loveseat/Sofa properly.

