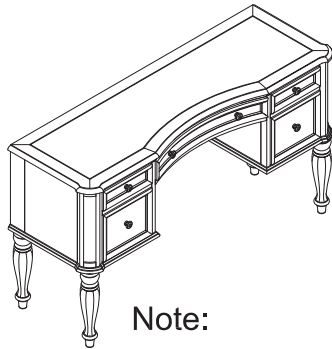


ASSEMBLY INSTRUCTION

DESCRIPTION: VANITY DESK

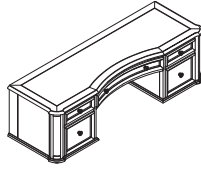

Thank you for purchasing this quality product. Be sure to check all packing material carefully for small parts which may have come loose inside the carton during shipment. Identify and count all parts and compare with the parts List Below:




Note:

1. Remove legs from inner box

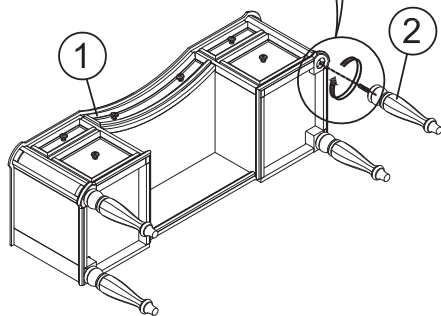
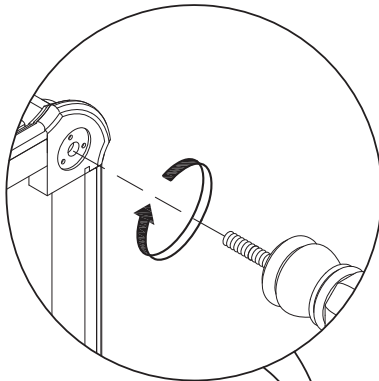
PART LIST:

| | | | |
|---------------|---|------------|---|
| ① |  | ② |  |
| TABLE TOP:1PC | | LEGS: 4PCS | |

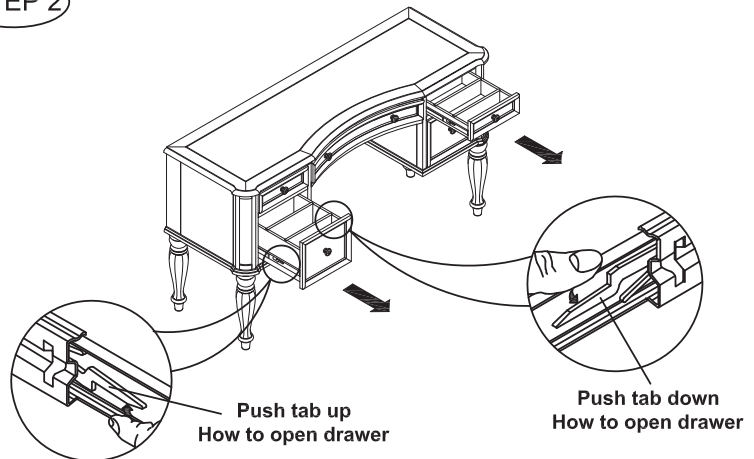
HARDWARE LIST

| NO. | Drawing | Description | Q'ty |
|-----|--|-----------------------------|-------|
| A |  | Furniture Tipping Restraint | 1 Set |

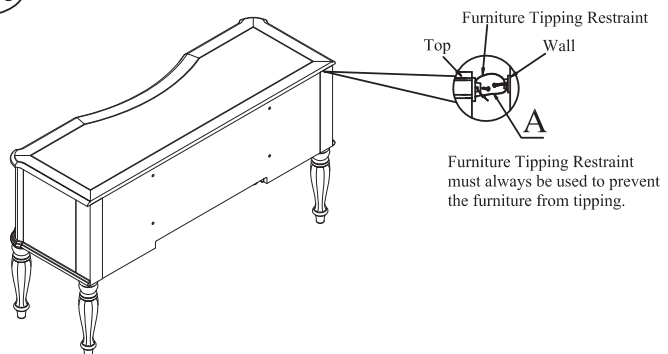
STEP 1



STEP 2



STEP 3



CLEANING INSTRUCTION

Clean the Vanity Desk surface with a furniture polish and a soft cloth.

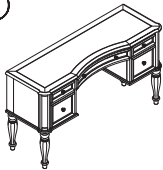
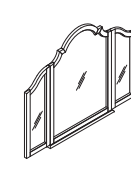

Made in VietNam

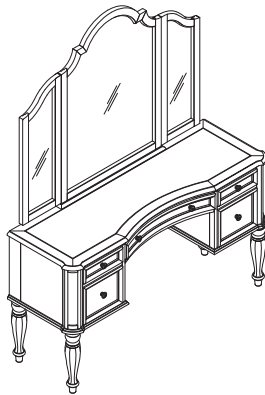
ASSEMBLY INSTRUCTION

DESCRIPTION: VANITY MIRROR VANITY DESK

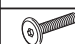



Thank you for purchasing this quality product. Be sure to check all packing material carefully for small parts which may have come loose inside the carton during shipment. Identify and count all parts and compare with the parts List Below:

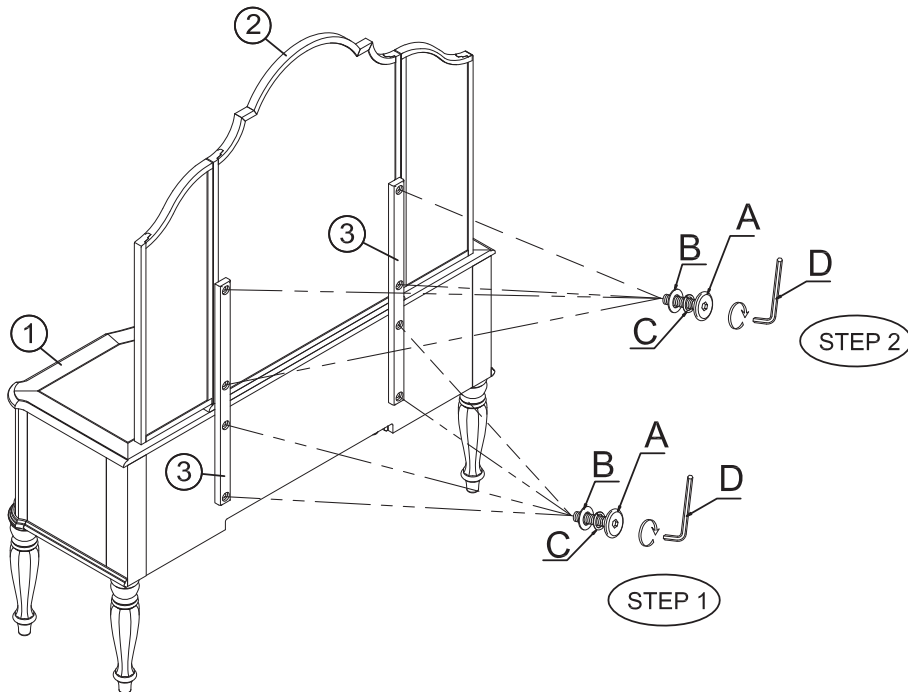
PART LIST:

| | | | | | |
|------------------|---|--------------------|---|-----------------------|---|
| ① |  | ② |  | ③ |  |
| VANITY DESK: 1PC | | VANITY MIRROR: 1PC | | MIRROR SUPPORTS: 2PCS | |



HARDWARE LIST

| NO. | Drawing | Description | Q'ty |
|-----|--|----------------------------------|------|
| A |  | Bolt $\Phi 1/4"$ x 1-1/4" | 8pcs |
| B |  | Flat washer ($\Phi 1/4"$ x19mm) | 8pcs |
| C |  | Spring washer ($\Phi 1/4"$) | 8pcs |
| D |  | Allen wrench (4mm) | 1pc |



CLEANING INSTRUCTION

Clean the Vanity Mirror/ Vanity Desk surface with a furniture polish and a soft cloth.

Made in Viet Nam