

ASSEMBLY INSTRUCTIONS

"Antique Black"

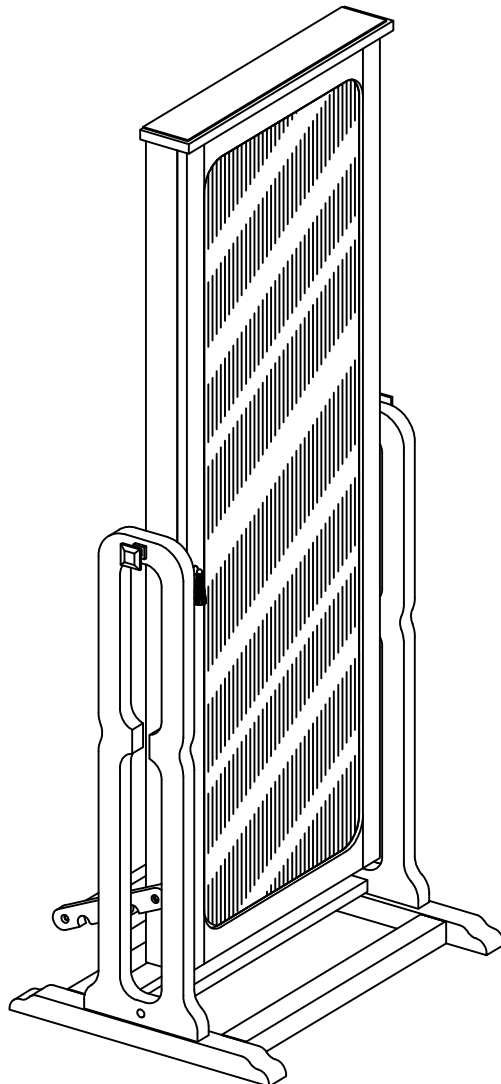
"Marquis Cherry"

Made in Vietnam

Thank you for purchasing this product. We want to make sure it is complete and to your satisfaction. Please check all packing material carefully for small parts which may have come loose inside the carton during shipment. Hardware can be identified by bright red packaging. Separate, identify, and count all parts and hardware to make sure they match with the illustrations herein and are all present. If any part(s) are missing or defective please contact Customer Service. Contact information is given at the bottom of these instructions. If you feel the item is defective beyond a resolution with part replacements, please return this product with your receipt to the place of purchase. If purchased from an internet retailer, please contact their customer service department. Photo's and additional information may be requested to validate the claim. Product is not to be returned under any circumstance unless authorized or an authorized dealer or representative. Thank you.

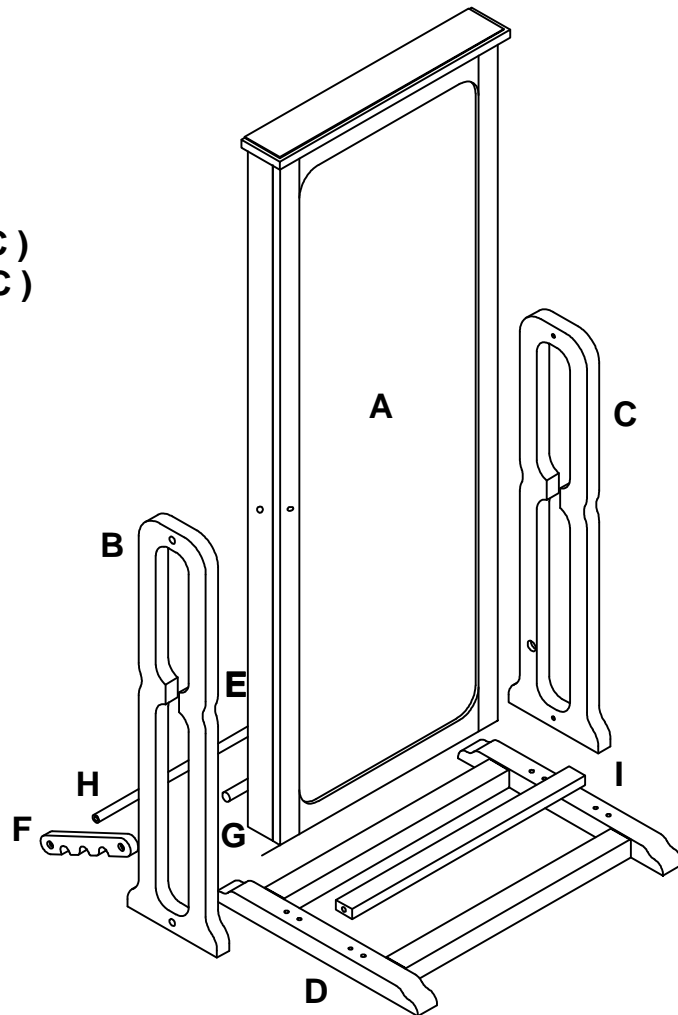
ATTENTION: SOME LETTERED PARTS LISTED ON THE INSTRUCTION SHEET MAY NOT BE IN PARTS BAG AS THEY MAY ALREADY BE ASSEMBLED. CAREFULLY CHECK PARTS AND PACKING MATERIALS PRIOR TO ORDERING REPLACEMENTS.

Tools Required for assembly: Allen Wrench (included) Phillips Screwdriver (not included)

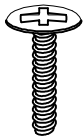


PARTS

- (A) Mirror Frame (1 PC)
- (B) Left Leg (1 PC)
- (C) Right Leg (1 PC)
- (D) Base (1 PC)
- (E) Stopper Right (1 PC)
- (F) Stopper Left (1 PC)
- (G) Long Round Rod (1 PC)
- (H) Short Round Rod (1 PC)
- (I) Cross Bar (1 PC)



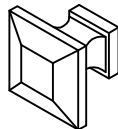
HARDWARE



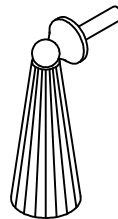
J
(1 PC)



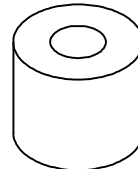
K
(6 PCS)



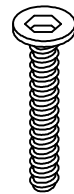
L
(2 PCS)



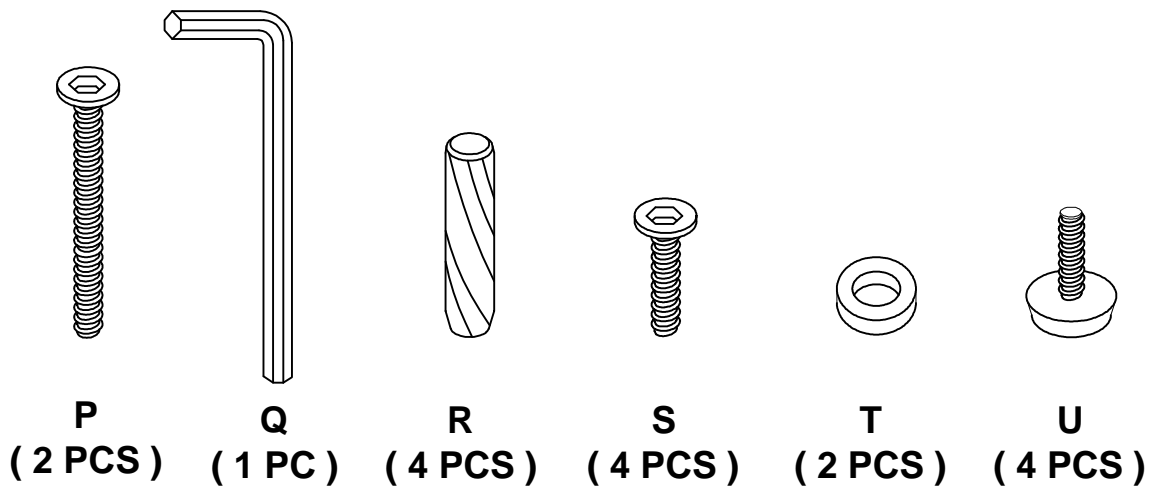
M
(1 PC)



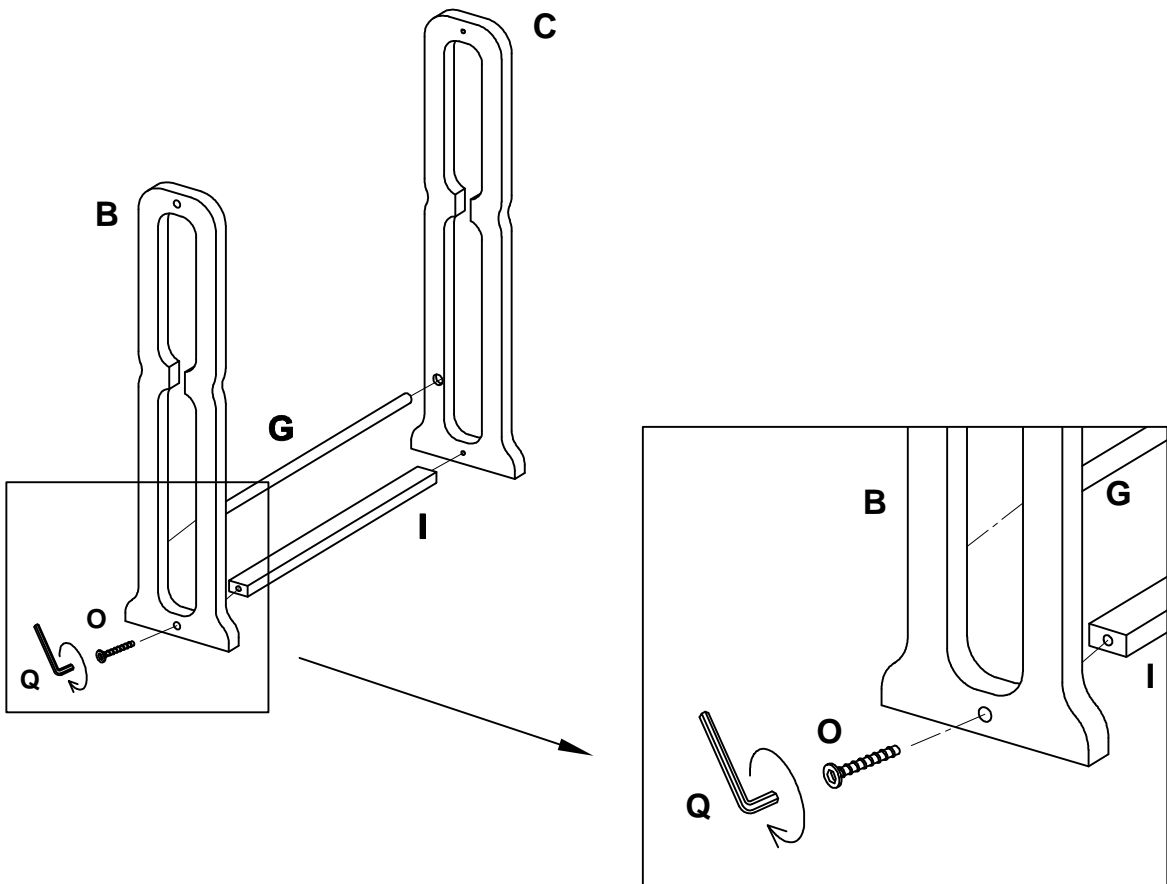
N
(2 PCS)



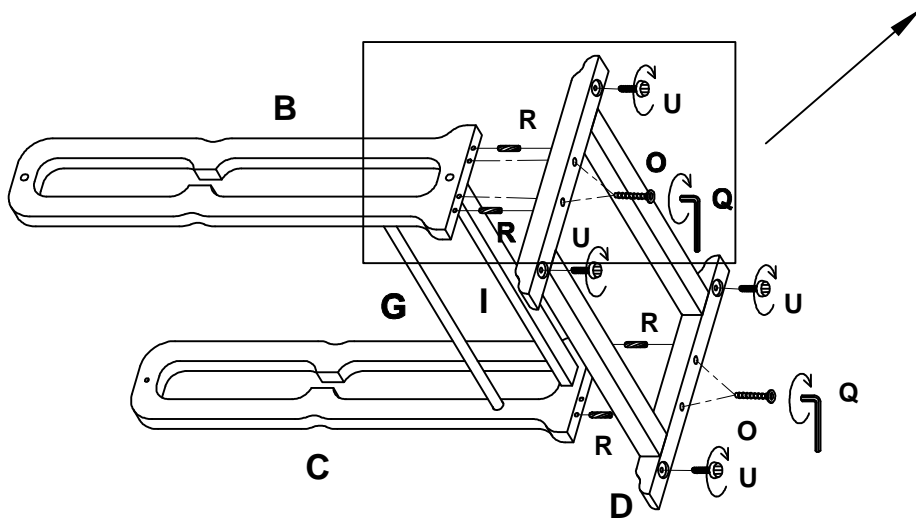
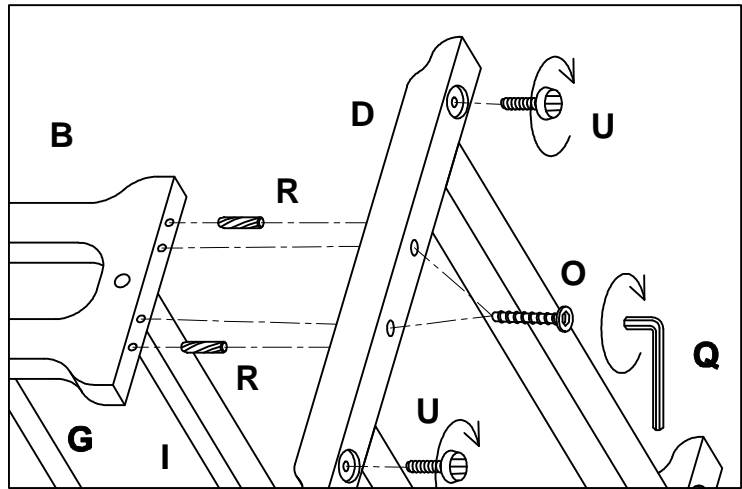
O
(6 PCS)



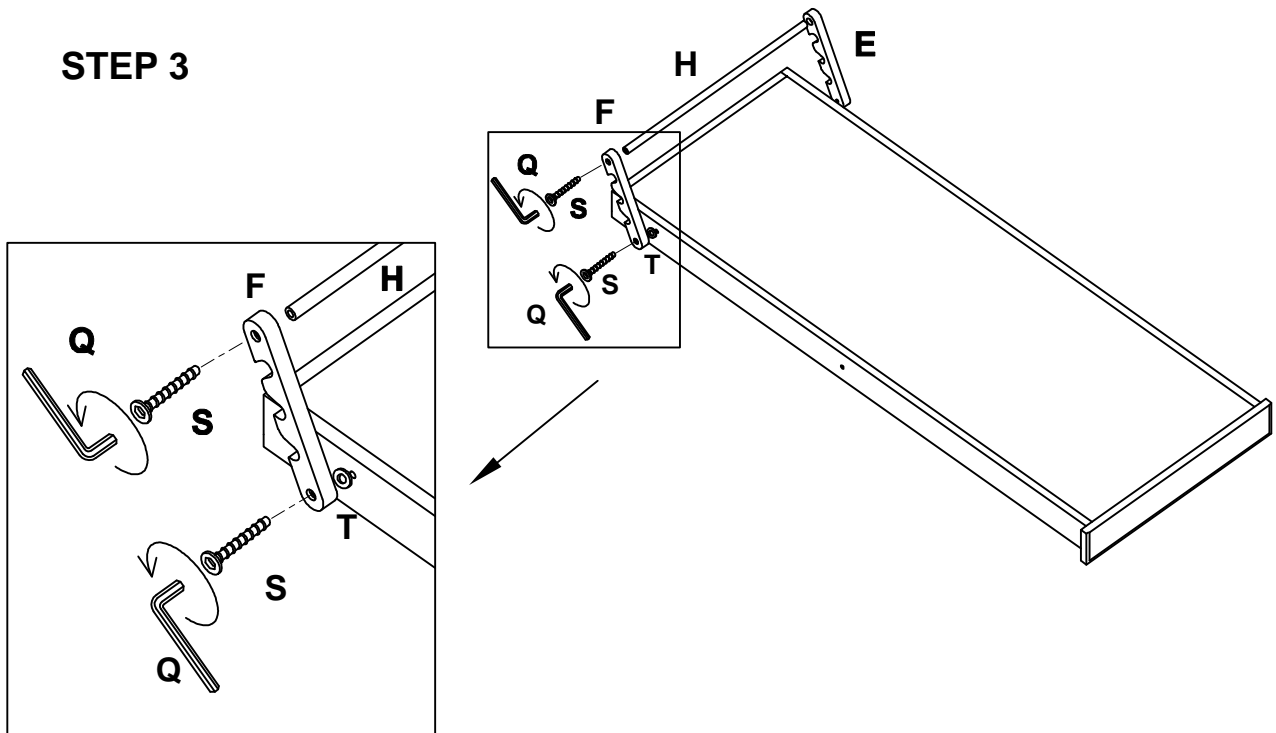
STEP 1



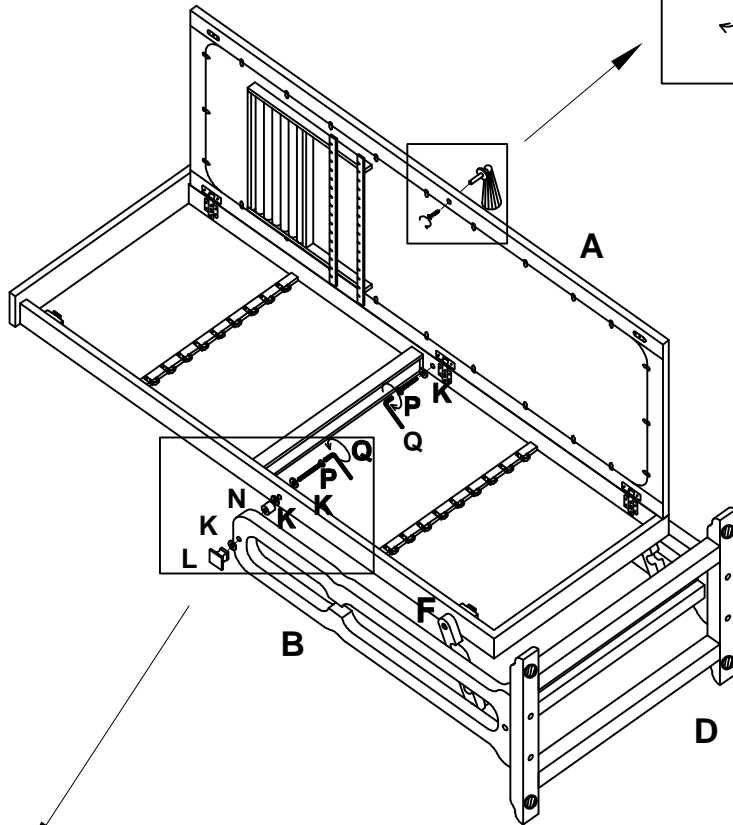
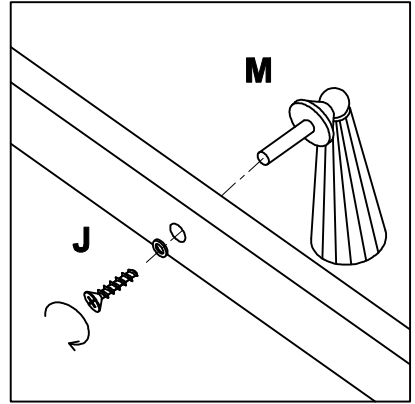
STEP 2



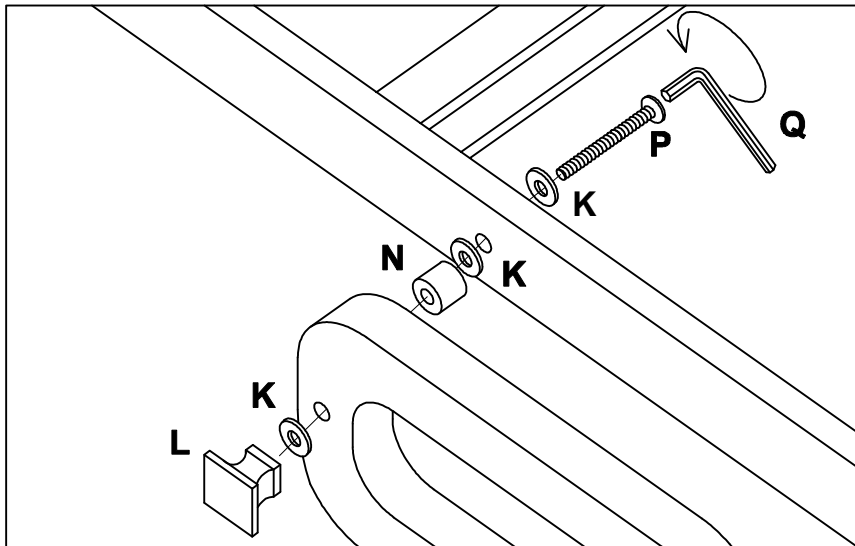
STEP 3

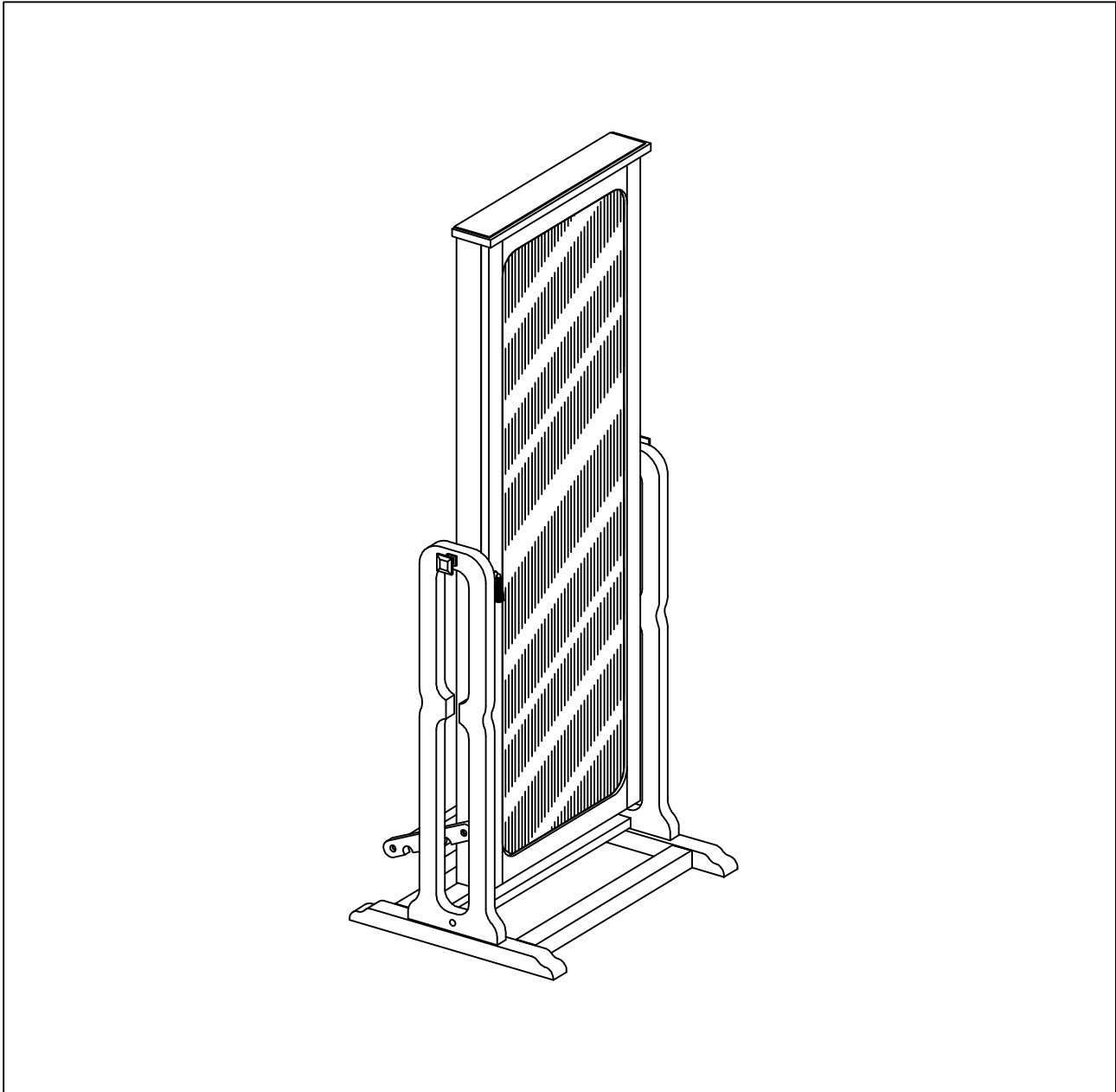


STEP 4



STEP 5





"Antique Black"
"Marquis Cherry"

Should there be any missing or defective part(S), **Place your part order on line** or fax this form or call Customer Service

PLEASE HAVE THE MODEL NUMBER, PART CODE AND FACTORY CODE IDENTIFIED

Part Letter _____ Quantity _____ Name _____
 _____ Address _____
 _____ City _____ State ____ Zip _____
 Reason for replacement _____ (No post Office Box Addresses)
 _____ Best contact phone number (____) _____
 Place of purchase _____
 Date of Purchase _____ Factory Code (VC)

Made in Vietnam