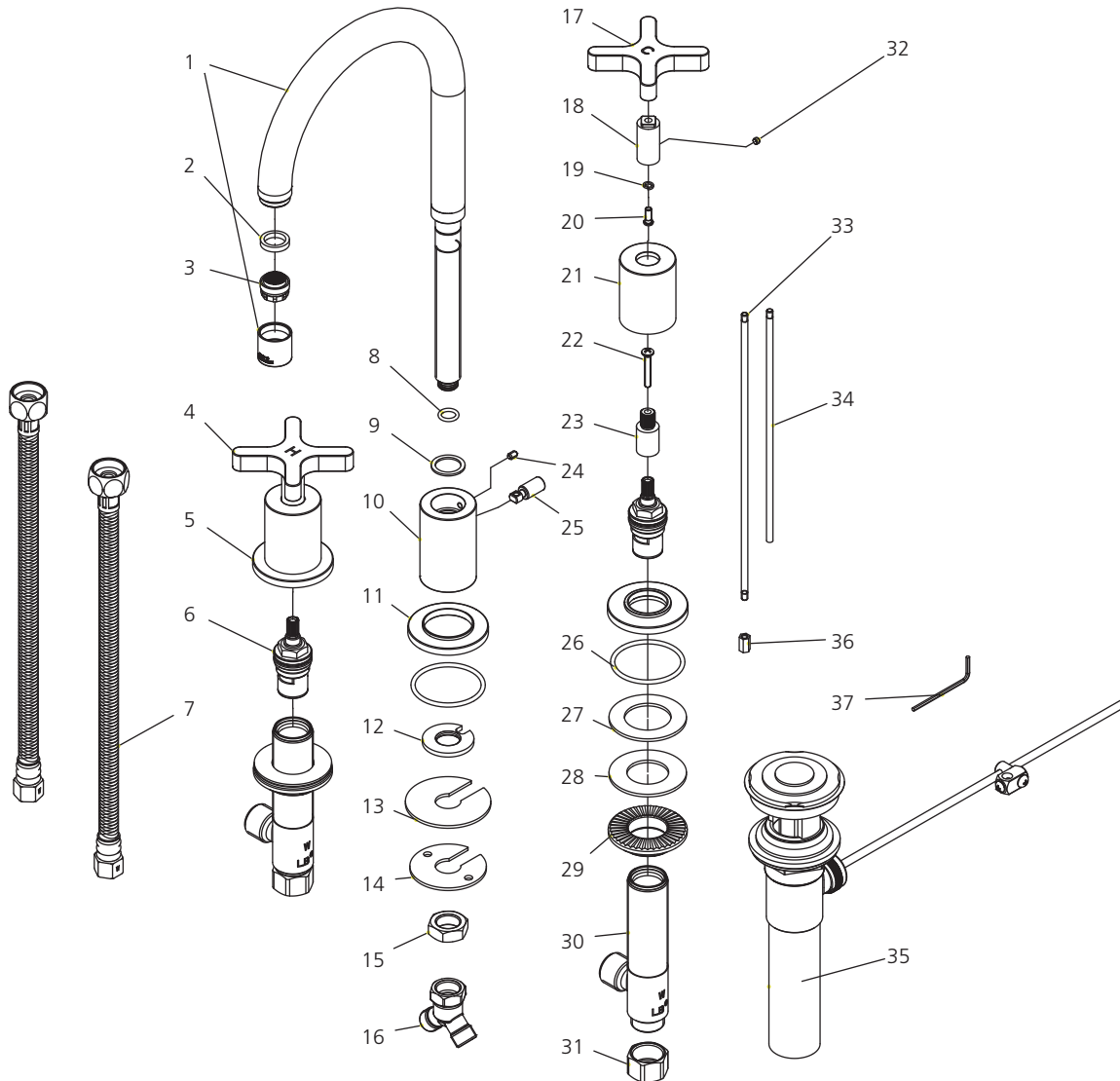


K1-1101

CROSS HANDLE 3-HOLE BASIN MIXER WITH P.U.W.

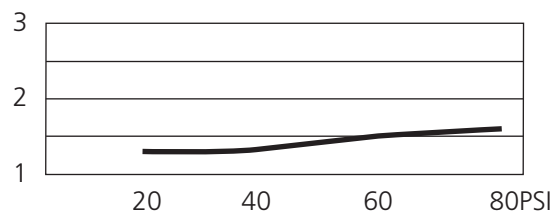


- | | | | | | |
|----|-----------------------------|----|-------------------------|----|------------------------------|
| 1 | Spout assembly (523847W-54) | 14 | Washer (013006) | 27 | Oil-seal (010017) |
| 2 | Oil-seal (010095N) | 15 | Nut (009015) | 28 | Washer (013158) |
| 3 | Aerator insert (553648N) | 16 | Connector (015004W) | 29 | Nut (009834) |
| 4 | Handle (H) (069688H) | 17 | Handle (C) (069688C) | 30 | Body (061893W) |
| 5 | Escutcheon (071308) | 18 | Stem extension (205417) | 31 | Nut (009016) |
| 6 | Cartridge (H) (507907W) | 19 | Washer (013570) | 32 | Set screw (053205) |
| 7 | Flexible hose (105750W) | 20 | Screw (008774) | 33 | Pop-up rod (125322) |
| 8 | O-ring (004026N) | 21 | Canopy (018419) | 34 | Pop-up rod (125364) |
| 9 | Oil-seal (010741N) | 22 | Screw (065152) | 35 | Pop-up sub-assembly (556781) |
| 10 | Canopy (078182) | 23 | Adaptor (205434) | 36 | Adaptor (039807) |
| 11 | Escutcheon (071265) | 24 | Set screw (292562) | 37 | Allen key (031003) |
| 12 | Washer (013797) | 25 | Pop-up knob (124367) | | |
| 13 | Oil-seal (058094) | 26 | O-ring (004072N) | | |

Standards

IAPMO/cUPC Listed
Meets NSF 61-9
Meets A112.18.1

Flow Rate



Please note :

Final achievable flow rate is dependent on the outlets fitted, see relevant outlets (spouts, roses, sprays) for fully assembled product flow rate.