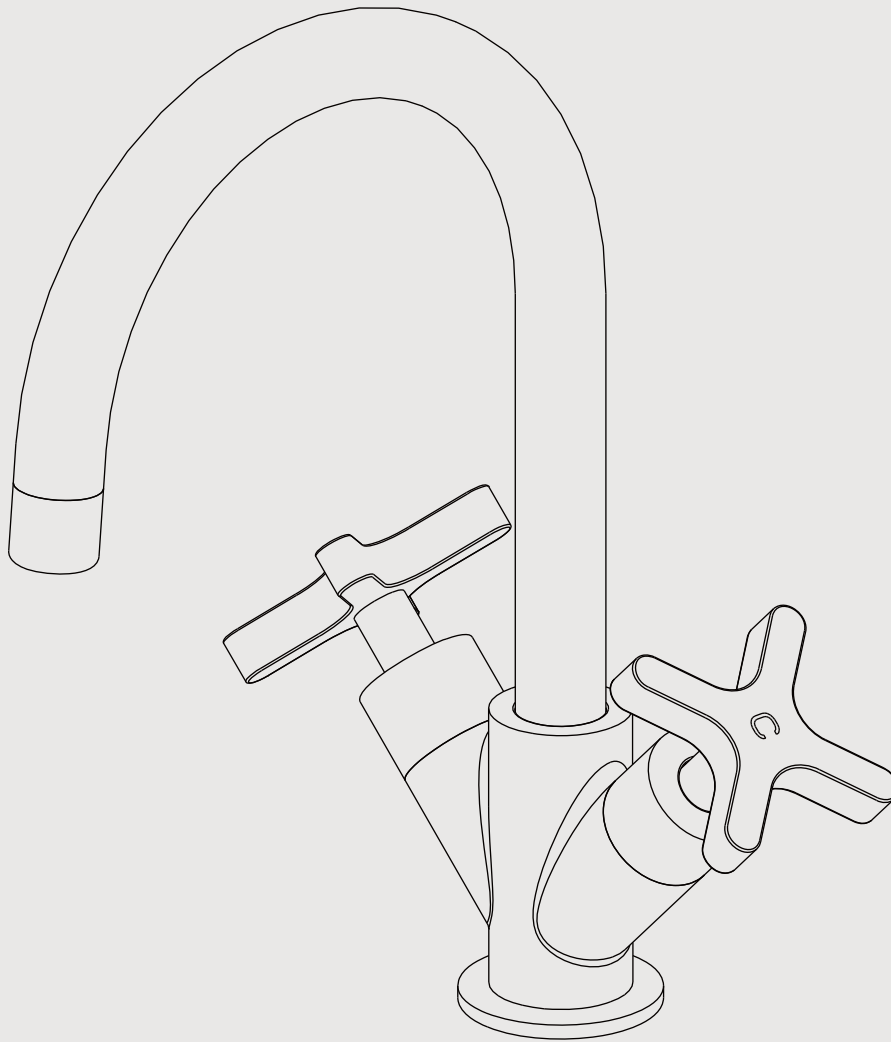


INSTALLATION INSTRUCTIONS

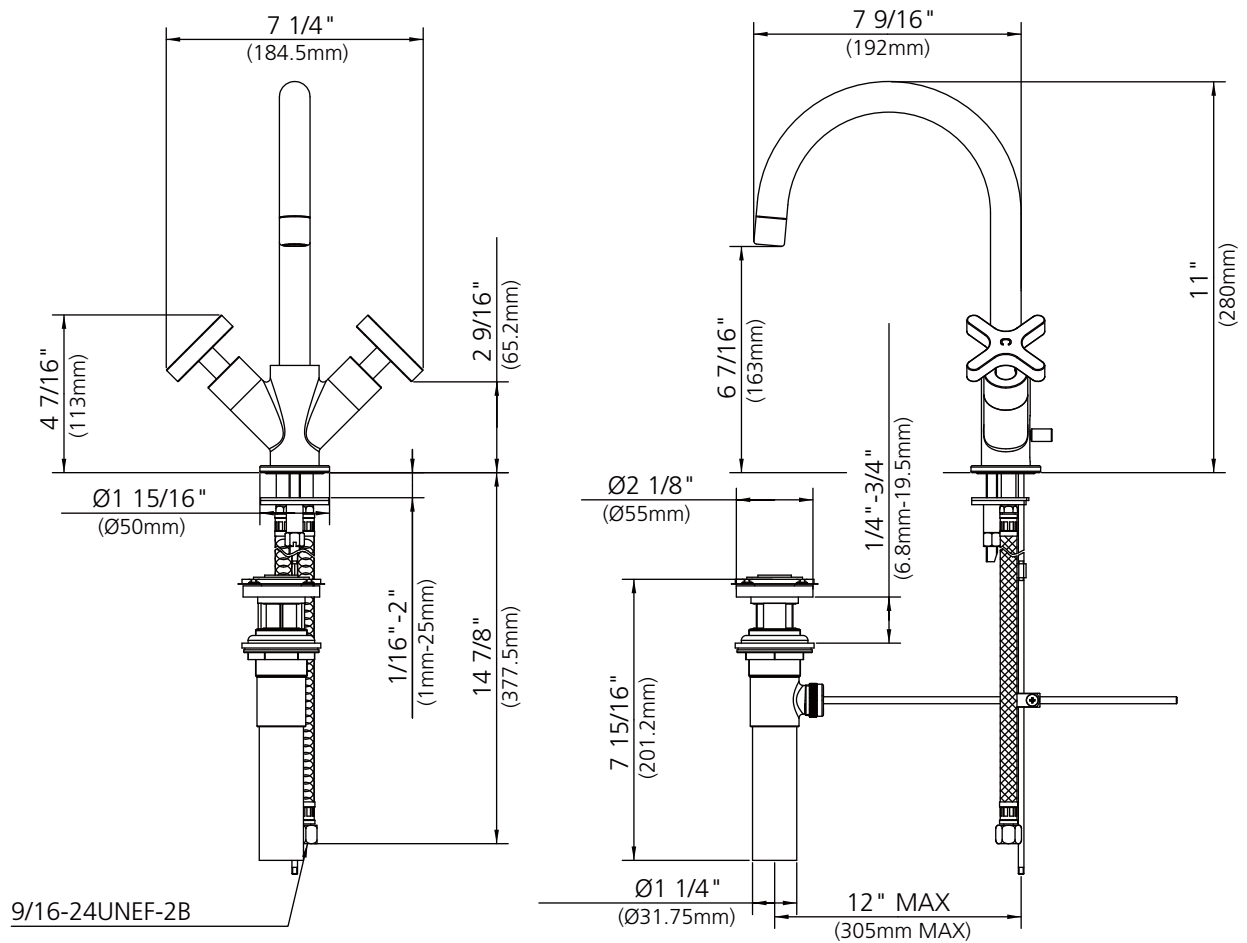
# K1-1210

CROSS HANDLE MONOBASIN (V-BODY) WITH P.U.W.



LEFROY BROOKS

# Dimensions in Inches (& Millimetres)

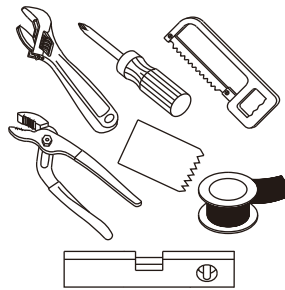


Whilst every effort is made to ensure accuracy, design and dimensions are subject to change without notice as part of the company's product development process.

# What you need to know

## Tools:

Adjustable Wrench  
Groove Joint Pliers  
Hacksaw  
Phillips Screwdriver  
Pipe Tape  
Spatula  
Spirit Level



## Safety Tips

If you are soldering during faucet installation, remove cartridges, seats, gaskets and washers prior to applying flame, otherwise you will void the warranty.

Cover drain openings to avoid losing small parts.

When cutting or soldering pipe, use safety glasses to protect your eyes.

## Things You May Need

Correct installation may vary depending on previous faucet installation. All necessary supplies required for faucet installation are not included, but may be found where plumbing supplies are sold. It is suggested that IAPMO and/or CSA approved plumbing supplies are used during installation.

## Standards

IAPMO/cUPC Listed  
Meets NSF 61-9  
Meets A112.18.1

Please note :

Final achievable flow rate is dependent on the outlets fitted, see relevant outlets (spouts, roses, sprays) for fully assembled product flow rate.

## Maintenance

Your new bathroom faucet is designed for years of trouble-free performance.

Keep it looking new by cleaning it periodically with a soft cloth. Avoid abrasive cleaners, wire wool and harsh chemicals as these will dull the finish and void your warranty.

## Important Points

Prior to beginning installation. turn off the cold and hot water lines and open the old faucet to release built-up pressure.

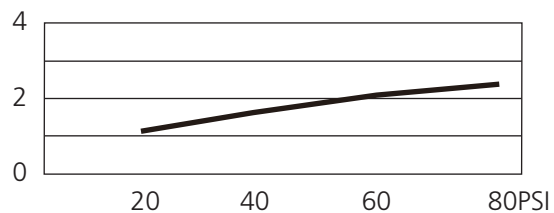
Overtightening nuts may cause damage.

Wrap all threaded connections with pipe tape available at your local plumbing supply store. Always wrap in a clockwise direction. The fittings should be installed by a state-licensed plumber.

Please note:

When there is a difference in water pressure between hot and cold supplies to the mixing valve, the pressures should be equalized by a plumber in accordance with best practice and legislation.

## Flow Rate

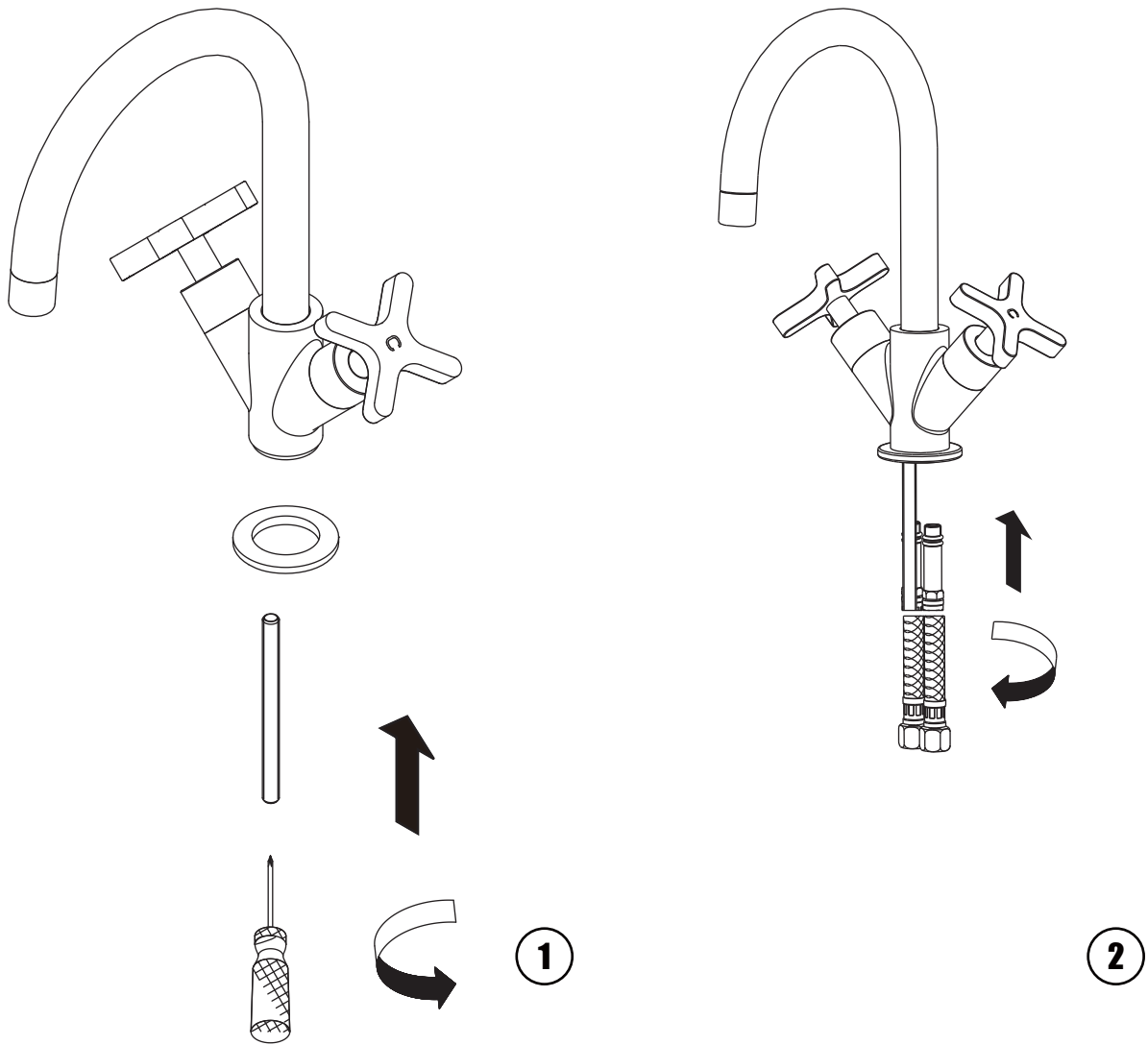


# Steps 1-2

## Installation Procedure

---

Lefroy Brooks always recommends that plumbing products be installed by a licensed professional. Shut off main water supply before installation.



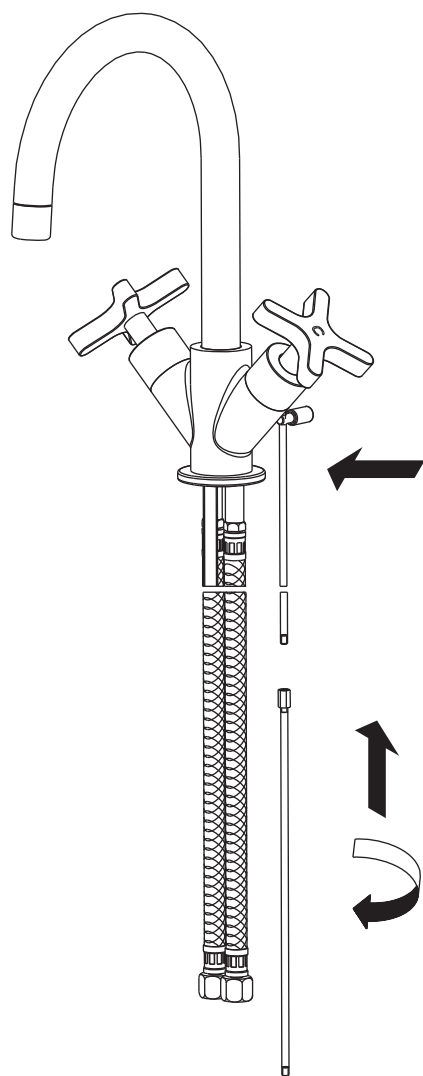
**1** Put the escutcheon under the bottom of the faucet. Attach the fixing bolt.

**2** Attach the flexible hoses to the faucet.

# Steps 3-4

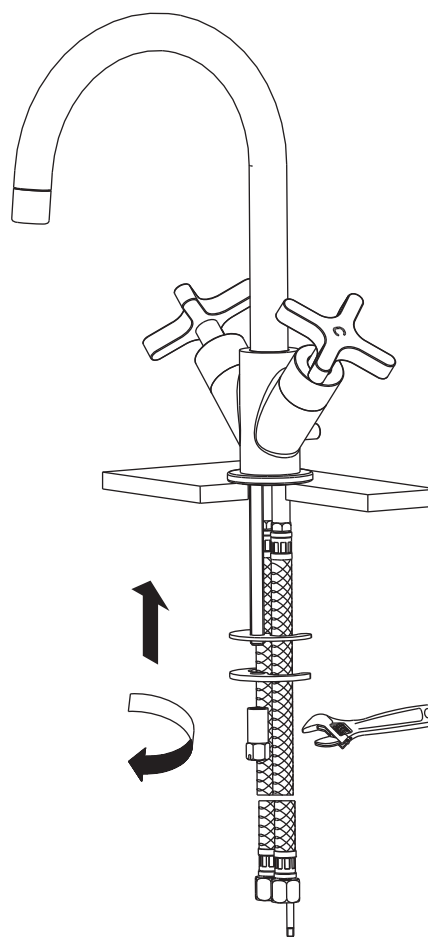
## Installation Procedure

Lefroy Brooks always recommends that plumbing products be installed by a licensed professional. Shut off main water supply before installation.



3

**3** Install Pop-up rod.



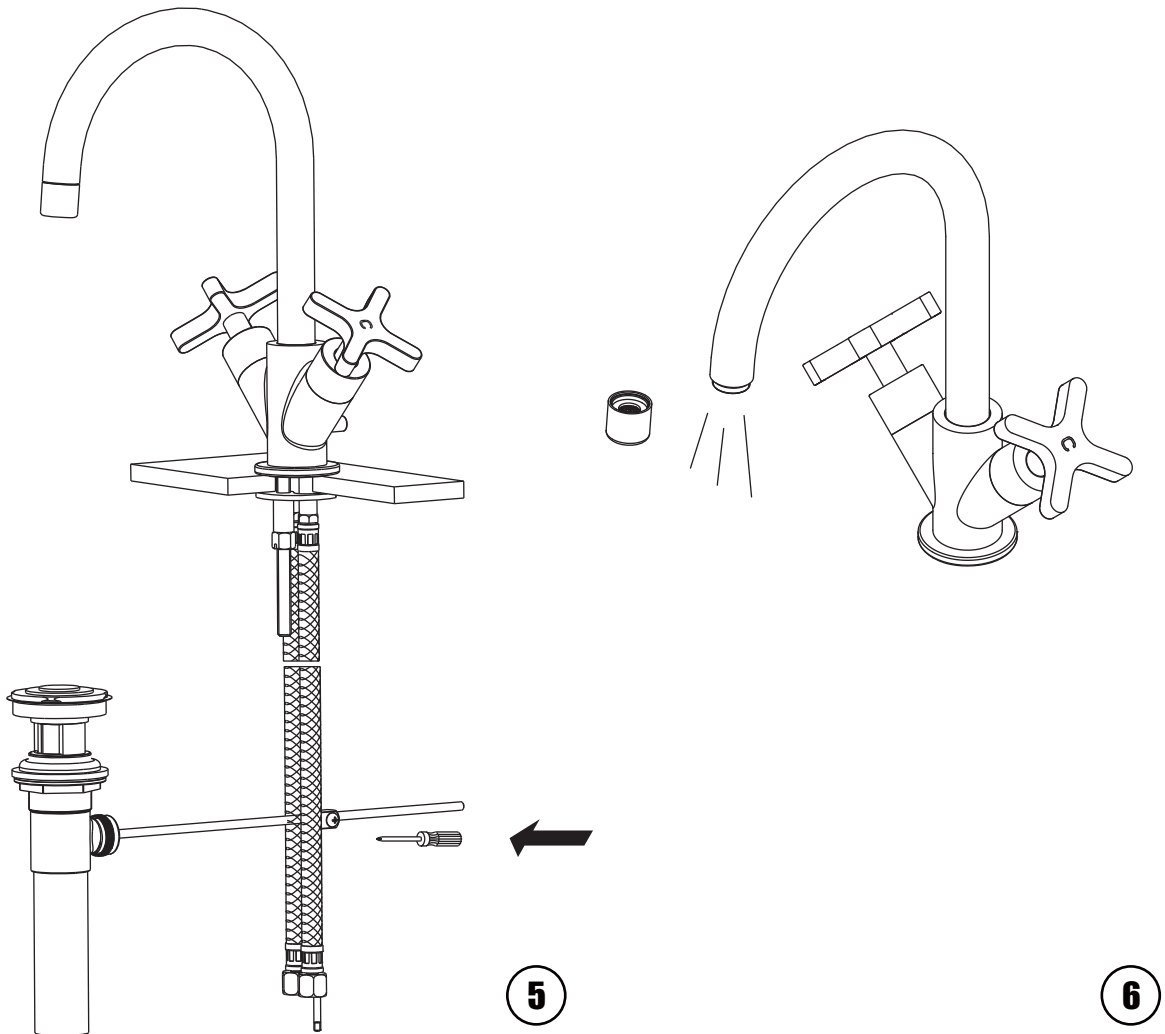
4

**4** Install faucet through deck hole. From underneath the sink, install washers and nut.

# Steps 5-6

## Installation Procedure

Lefroy Brooks always recommends that plumbing products be installed by a licensed professional. Shut off main water supply before installation.



### 5 Install Pop-up sub-assembly.

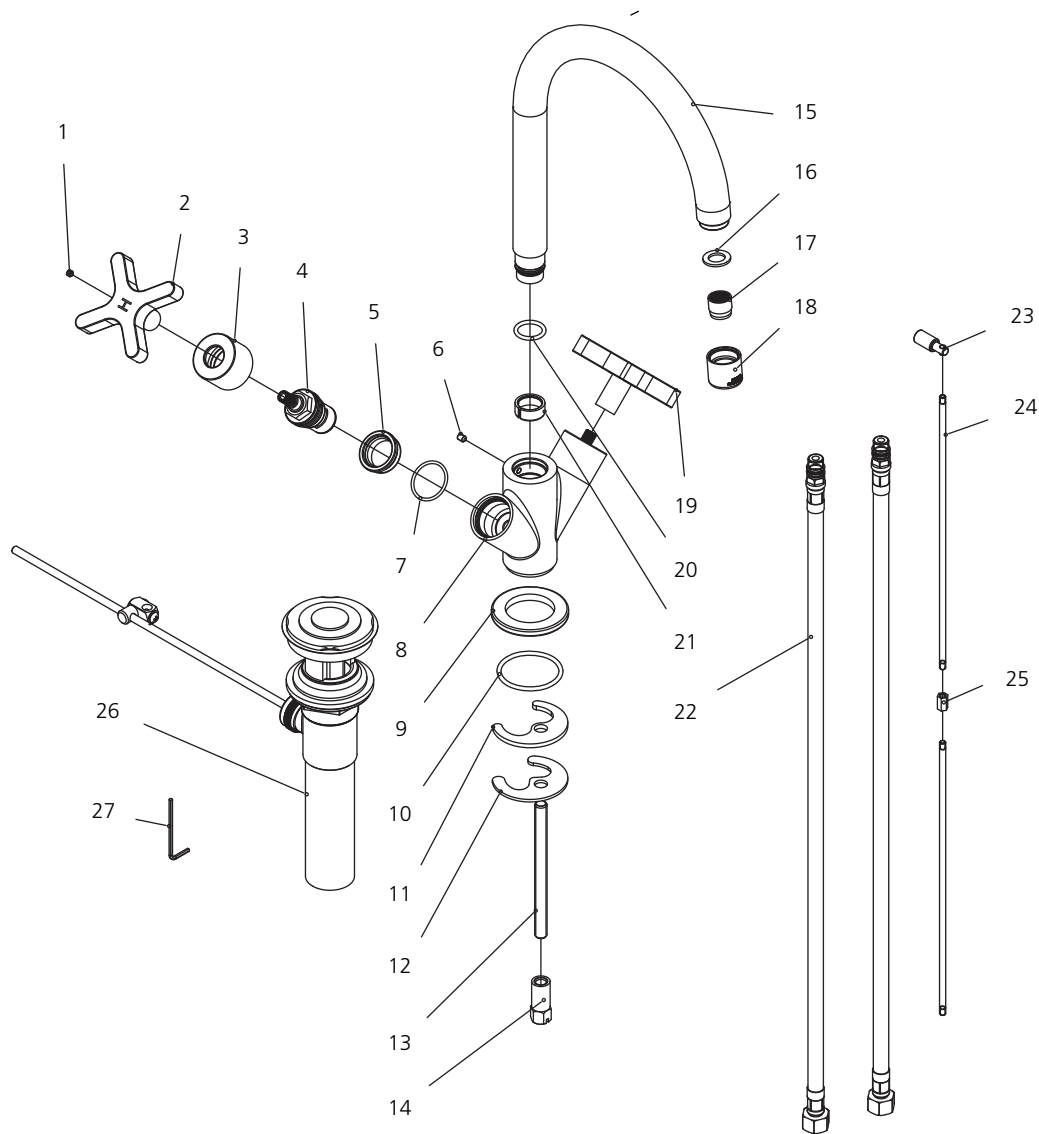
Warning! When installing flexible hose, please notice:

1. There should be no torsion or deformation
2. Do not fold into a V or L shape.
3. Do not use if there is any crack or deformation.

### 6 After installing faucet, remove aerator and open the hot and cold supplies. Check for leaks. Turn on faucet handle for one minute to flush debris from faucet. Turn off the handle and re-assemble the aerator. Finish.

# Exploded View

## Parts List



1	Screw (008772 )	10	O-Ring (063014)	19	Handle ( C ) (506149C)
2	Handle ( H ) (506149H)	11	Washer (013040)	20	O-Ring ( 004005N)
3	Canopy (078183)	12	Washer (013039)	21	Clip (012112N)
4	Cartridge assembly (507907N)	13	Bolt (017139)	22	Flexible hose (105652W)
5	Adaptor (039332N)	14	Nut (054857)	23	Pop-up knob (124379)
6	Set screw (292545)	15	Spout assembly (139644N)	24	Pop-up rod (125322)
7	O-ring (048030N)	16	Oil-seal (010805N)	25	Adaptor (039807)
8	Body (076711W)	17	Aerator insert (553661N)	26	Pop-up sub-assembly (556781)
9	Escutcheon (071282)	18	Aerator housing (305779N-54)	27	Allen key (031003)

For additional assistance or service call

**718-302-5292**

**9am to 5pm EST Monday to Friday**



L E F R O Y   B R O O K S

[www.lefroybrooks.com](http://www.lefroybrooks.com)

LEFROY BROOKS INC, 1828 TROUTMAN STREET, RIDGEWOOD, NY, 11385  
TELEPHONE: 718-302-5292. FAX: 718-302-4177

The use of trademarks, product design and artwork is subject to licence or agreement with Christo A. Lefroy Brooks. The design registrations, trademark registrations and copyrights are protected by law and the use or reproduction outside the terms of an agreement is prohibited. The right to modify designs and dimensions is reserved. Christo Lefroy Brooks is a member of ACID (Anti Copying in Design).

©CHRISTO A. LEFROY BROOKS 2009