

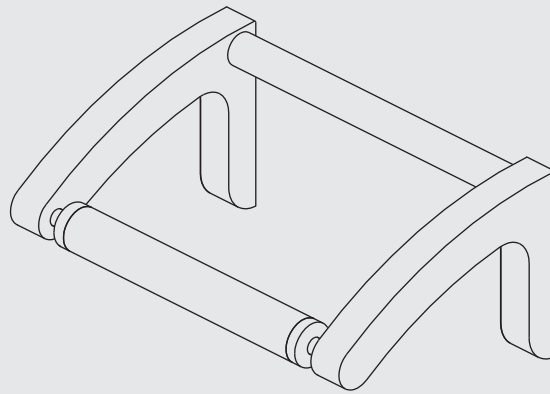
INSTALLATION INSTRUCTIONS

K1-5300

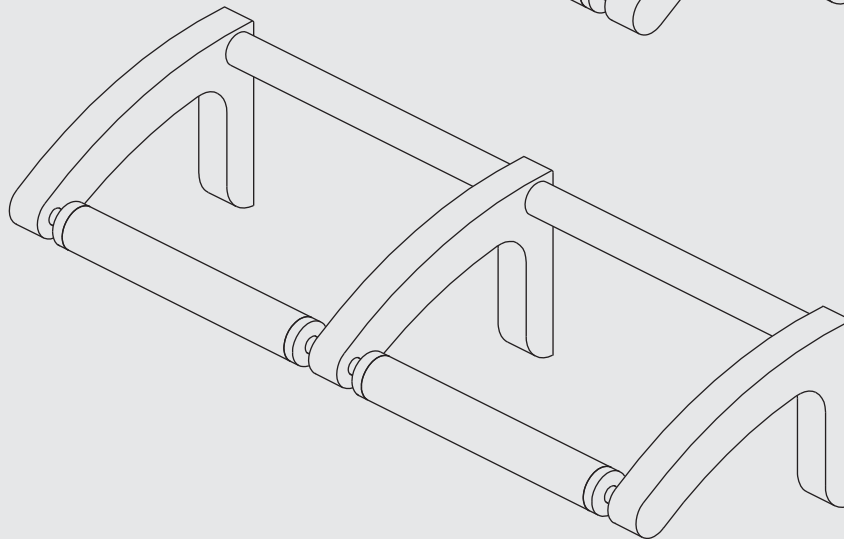
SINGLE LOO ROLL HOLDER

K1-5301

DOUBLE LOO ROLL HOLDER



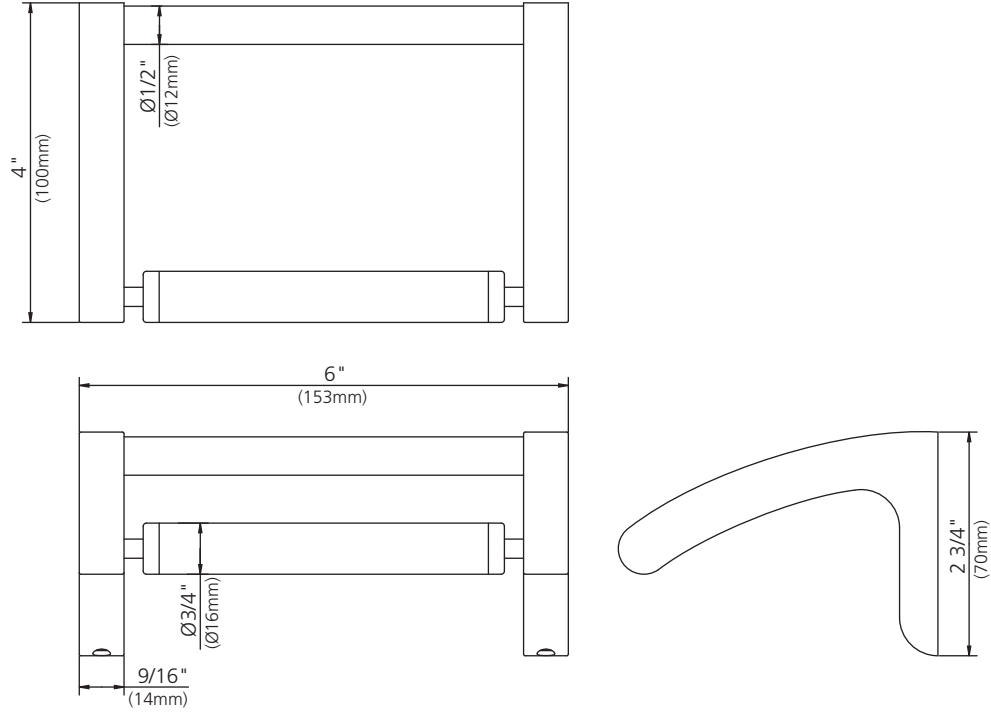
K1-5300



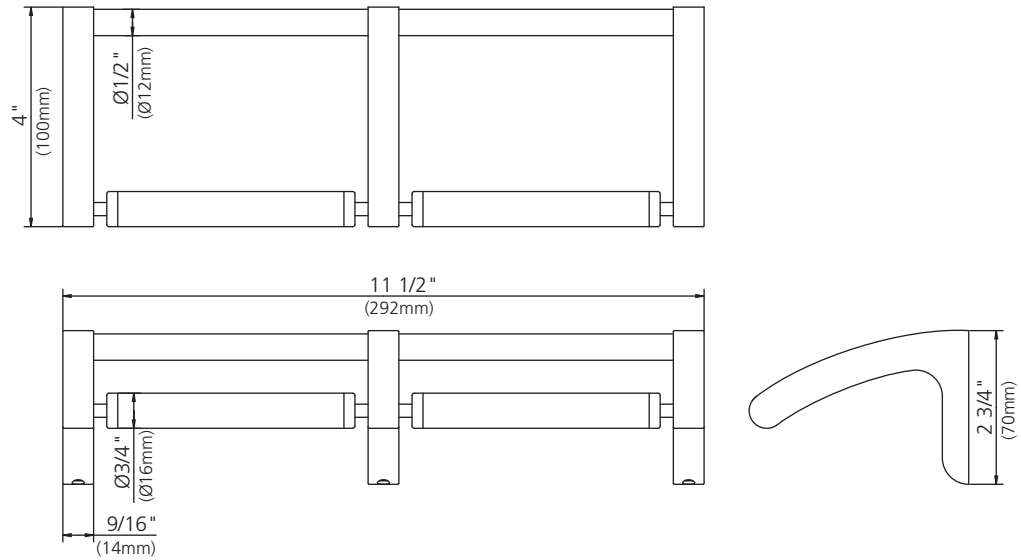
K1-5301

Dimensions in Inches (& Millimetres)

K1-5300



K1-5301

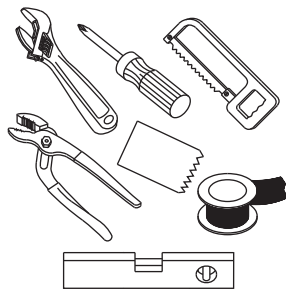


Whilst every effort is made to ensure accuracy, design and dimensions are subject to change without notice as part of the company's product development process.

What you need to know

Tools:

Adjustable Wrench
Groove Joint Pliers
Hacksaw
Phillips Screwdriver
Pipe Tape
Spatula
Spirit Level



Safety Tips

If you are soldering during faucet installation, remove cartridges, seats, gaskets and washers prior to applying flame, otherwise you will void the warranty.

Cover drain openings to avoid losing small parts.

When cutting or soldering pipe, use safety glasses to protect your eyes.

Things You May Need

Correct installation may vary depending on previous faucet installation. All necessary supplies required for faucet installation are not included, but may be found where plumbing supplies are sold. It is suggested that IAPMO and/or CSA approved plumbing supplies are used during installation.

Maintenance

Your new bathroom faucet is designed for years of trouble-free performance.

Keep it looking new by cleaning it periodically with a soft cloth. Avoid abrasive cleaners, wire wool and harsh chemicals as these will dull the finish and void your warranty.

Important Points

Prior to beginning installation, turn off the cold and hot water lines and open the old faucet to release built-up pressure.

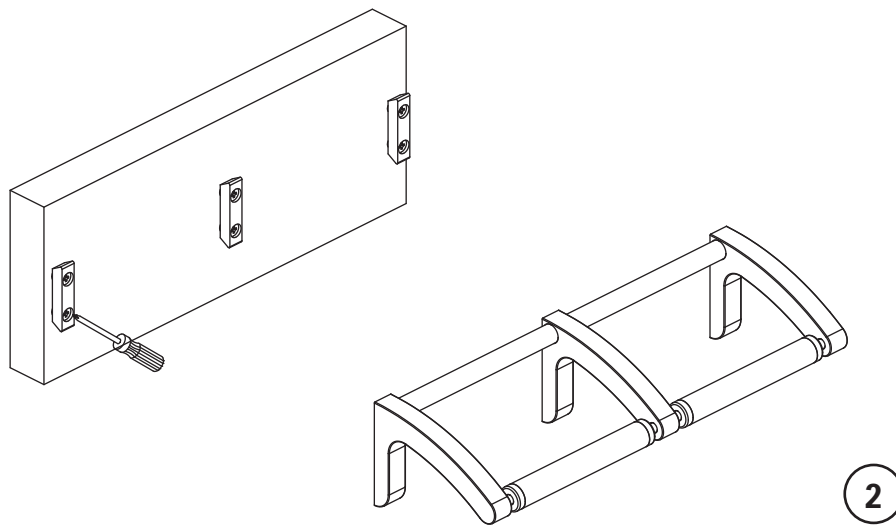
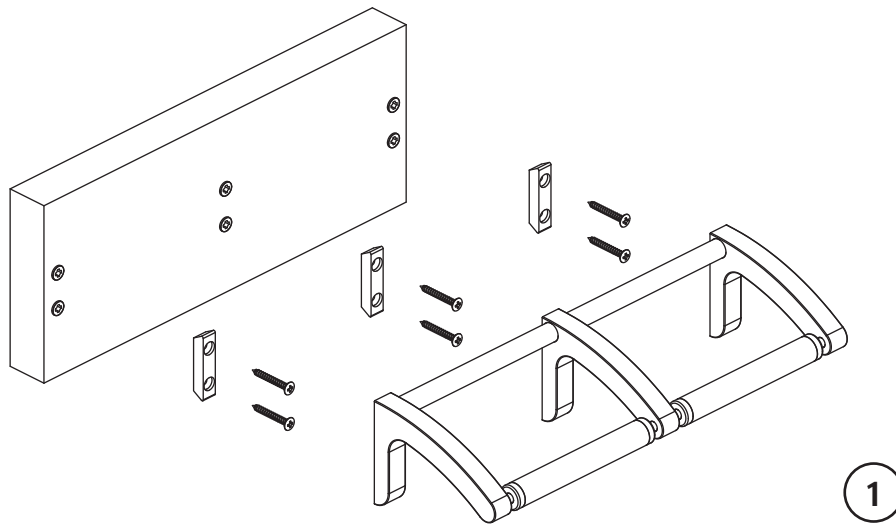
Overtightening nuts may cause damage.

Wrap all threaded connections with pipe tape available at your local plumbing supply store. Always wrap in a clockwise direction. The fittings should be installed by a state-licensed plumber.

Steps 1-2

Installation Procedure

Lefroy Brooks always recommends that plumbing products be installed by a licensed professional. Shut off main water supply before installation.



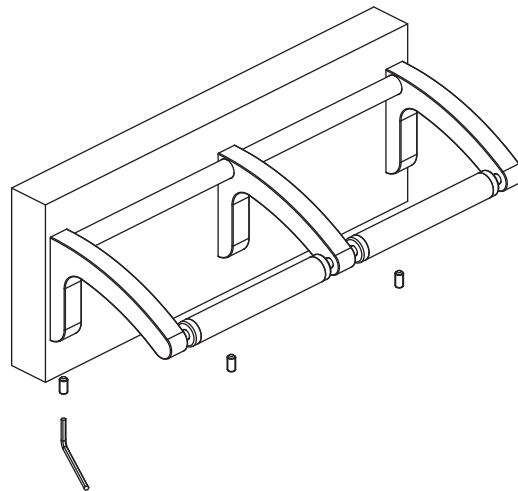
1 Position the mounting bracket on the wall where required. Mark the location of mounting screws. Drill holes in the wall to fit the anchors. Tap the plastic anchor into the hole with a hammer.

2 Position the mounting bracket to be mounted on the wall, then thread the fixing screws through the mounting hole into the plastic anchor. Turn the screws slowly until they are tight.

Step 3

Installation Procedure

Lefroy Brooks always recommends that plumbing products be installed by a licensed professional. Shut off main water supply before installation.



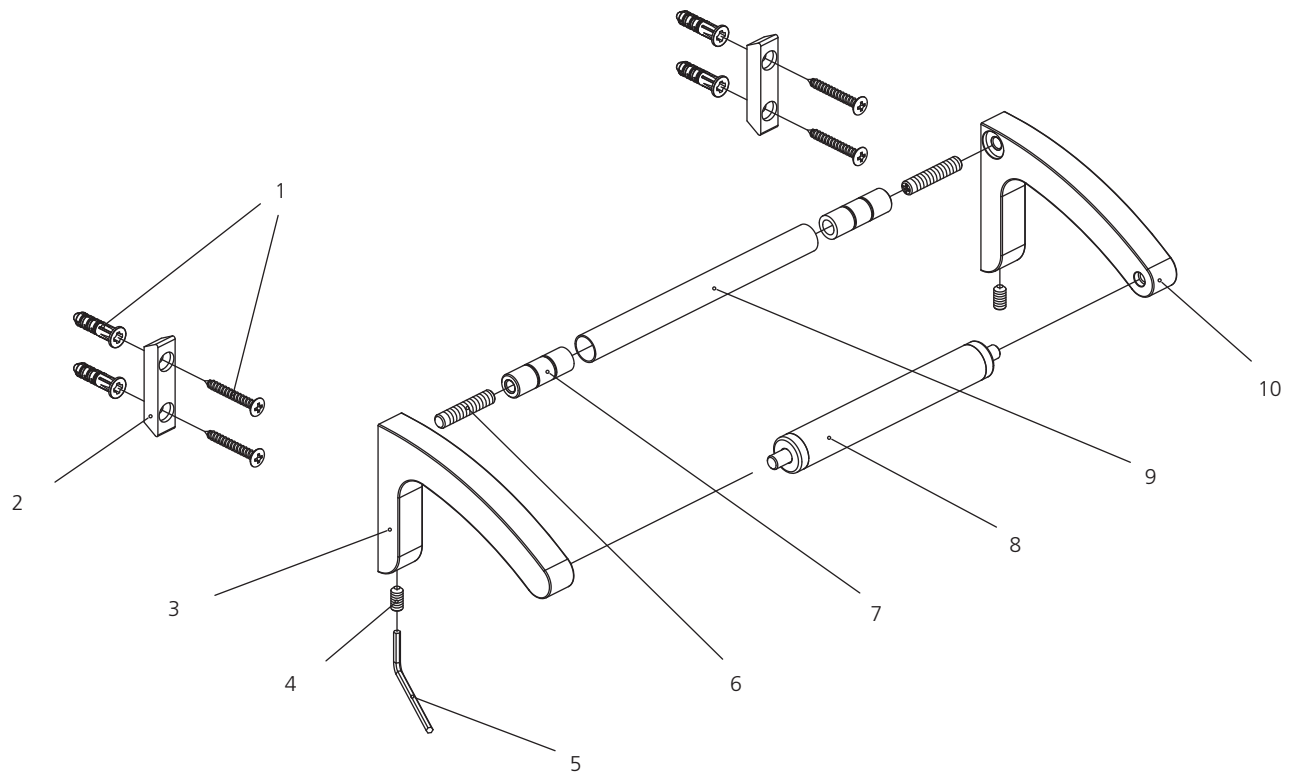
3

- 3** Place assembly over the mounting bracket with set screws facing down. Tighten the set screws.

Exploded View

Parts List

K1-5300

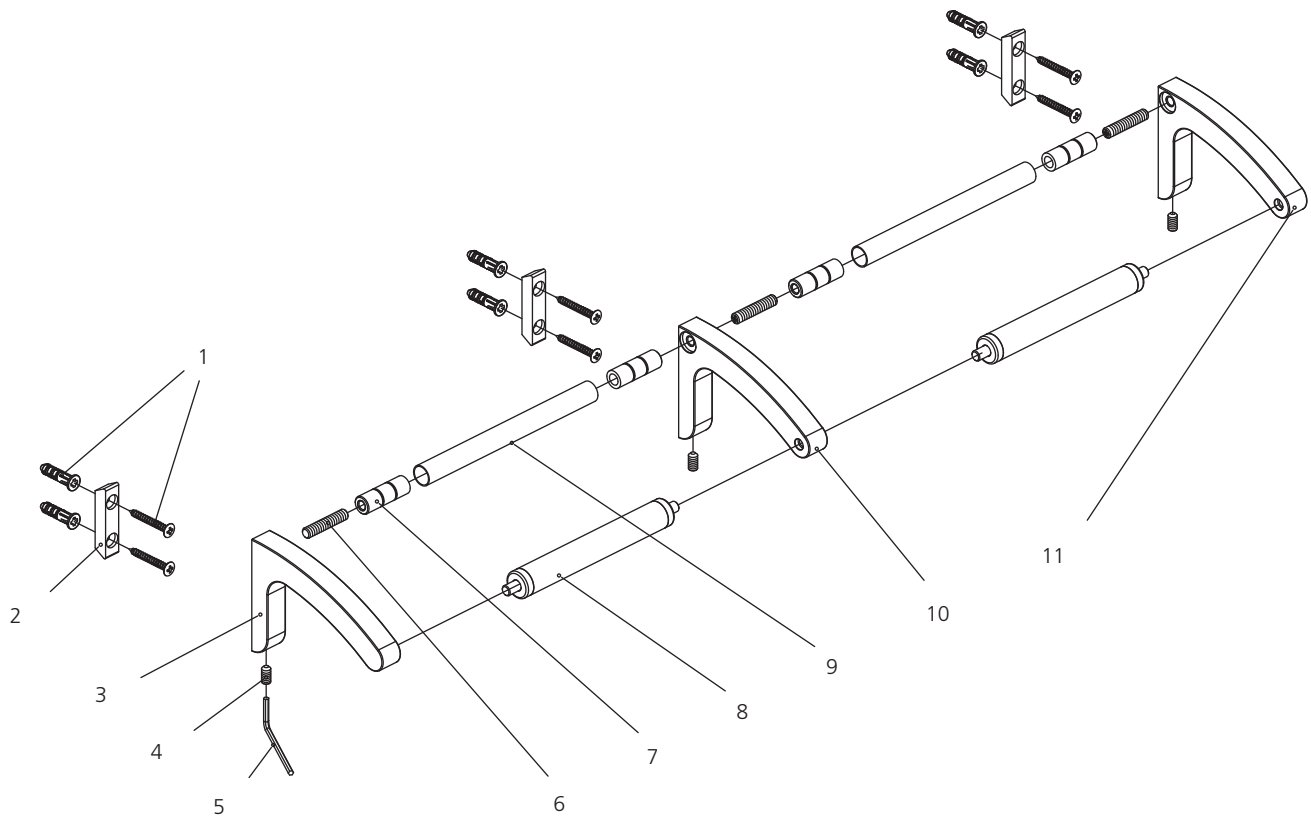


- | | | | |
|---|--------------------------------|----|------------------------|
| 1 | Anchor bolt and screw (290604) | 6 | Bolt (017850) |
| 2 | Mounting bracket (293251) | 7 | Adaptor (255943) |
| 3 | Bracket (240274H) | 8 | Roll cylinder (251827) |
| 4 | Set screw (053009) | 9 | Shaft (254542) |
| 5 | Allen key (031000) | 10 | Bracket (240274C) |

Exploded View

Parts List

K1-5301



- | | | | |
|---|--------------------------------|----|------------------------|
| 1 | Anchor bolt and screw (290604) | 7 | Adaptor (255943) |
| 2 | Mounting bracket (293251) | 8 | Roll cylinder (251827) |
| 3 | Bracket (240274H) | 9 | Shaft (254542) |
| 4 | Set screw (053009) | 10 | Bracket (240983) |
| 5 | Allen key (031000) | 11 | Bracket (240274C) |
| 6 | Bolt (017850) | | |

For additional assistance or service call

718-302-5292

9am to 5pm EST Monday to Friday



L E F R O Y B R O O K S

www.lefroybrooks.com

LEFROY BROOKS INC, 1828 TROUTMAN STREET, RIDGEWOOD, NY, 11385
TELEPHONE: 718-302-5292. FAX: 718-302-4177

The use of trademarks, product design and artwork is subject to licence or agreement with Christo A. Lefroy Brooks. The design registrations, trademark registrations and copyrights are protected by law and the use or reproduction outside the terms of an agreement is prohibited. The right to modify designs and dimensions is reserved. Christo Lefroy Brooks is a member of ACID (Anti Copying in Design).

©CHRISTO A. LEFROY BROOKS 2009