

INSTALLATION INSTRUCTIONS

R1-4015

CROSS HANDLE 3-HOLE WALL BASIN MIXER ROUGH, TO SUIT K1-1400, M2-1110

R1-4016

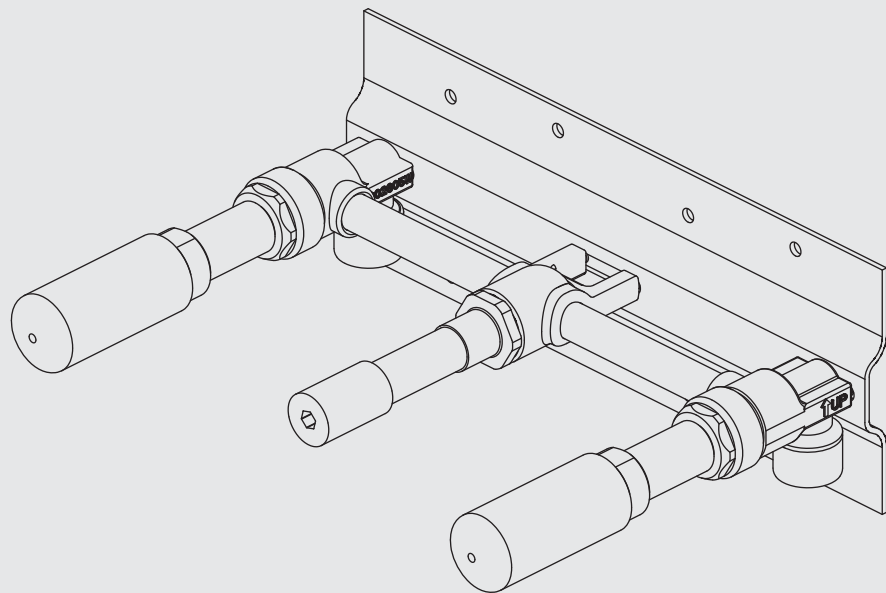
LEVER 3-HOLE WALL BASIN MIXER ROUGH, TO SUIT K1-1401, X1-1030, M2-1111

R1-4027

CROSS HANDLE 3-HOLE WALL BASIN MIXER ROUGH TO SUIT M1-1110, C1-1400

R1-4028

LEVER WALL 3-HOLE BASIN MIXER ROUGH TO SUIT M1-1111, CW-1401, CB-1401

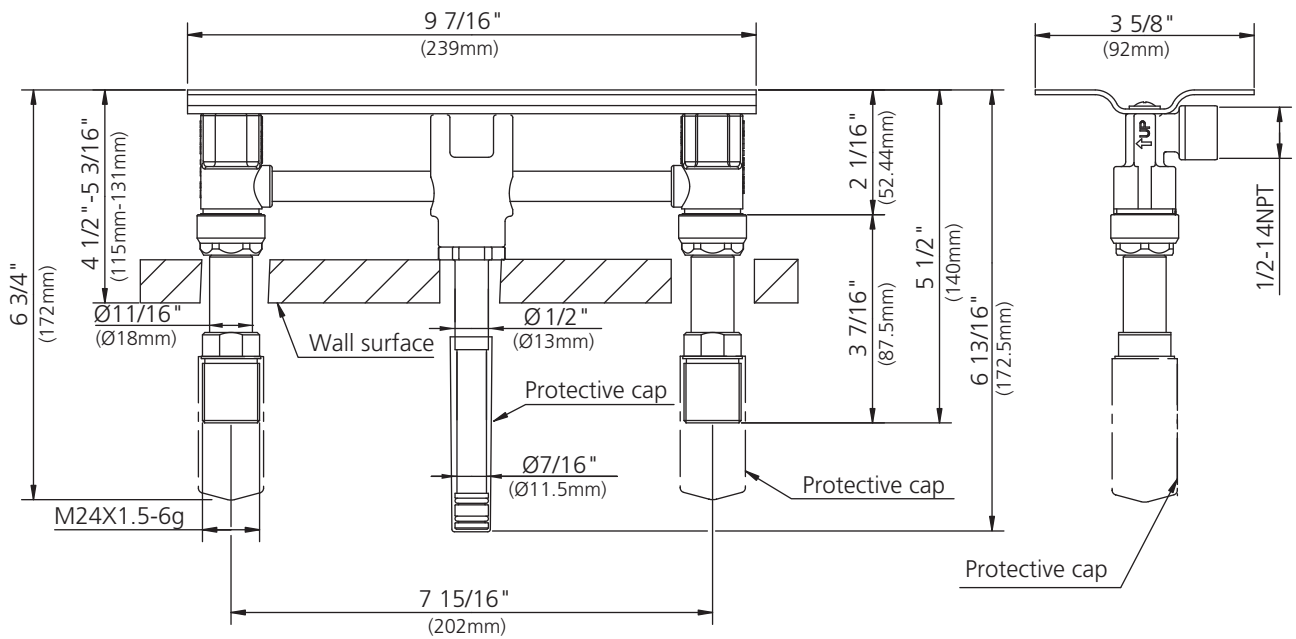


R1-4015
R1-4016
R1-4027
R1-4028

LEFROY BROOKS

Dimensions in Inches (& Millimetres)

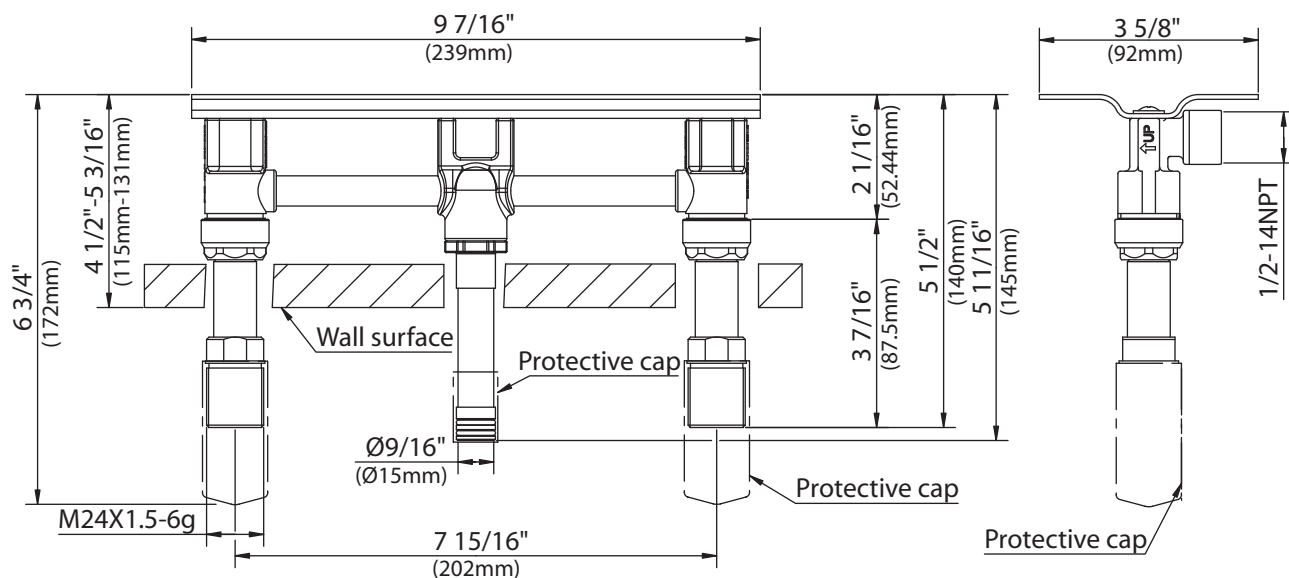
R1-4015
R1-4016



Whilst every effort is made to ensure accuracy, design and dimensions are subject to change without notice as part of the company's product development process.

Dimensions in Inches (& Millimetres)

R1-4027
R1-4028

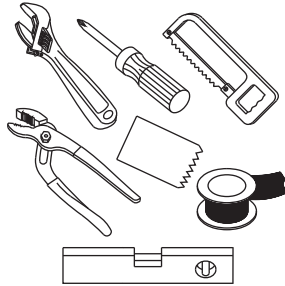


Whilst every effort is made to ensure accuracy, design and dimensions are subject to change without notice as part of the company's product development process.

What you need to know

Tools:

Adjustable Wrench
Groove Joint Pliers
Hacksaw
Phillips Screwdriver
Pipe Tape
Spatula
Spirit Level



Maintenance

Your new bathroom faucet is designed for years of trouble-free performance.

Keep it looking new by cleaning it periodically with a soft cloth. Avoid abrasive cleaners, wire wool and harsh chemicals as these will dull the finish and void your warranty.

Safety Tips

If you are soldering during faucet installation, remove cartridges, seats, gaskets and washers prior to applying flame, otherwise you will void the warranty.

Cover drain openings to avoid losing small parts.

When cutting or soldering pipe, use safety glasses to protect your eyes.

Important Points

Prior to beginning installation, turn off the cold and hot water lines and open the old faucet to release built-up pressure.

Overtightening nuts may cause damage.

Wrap all threaded connections with pipe tape available at your local plumbing supply store. Always wrap in a clockwise direction. The fittings should be installed by a state-licensed plumber.

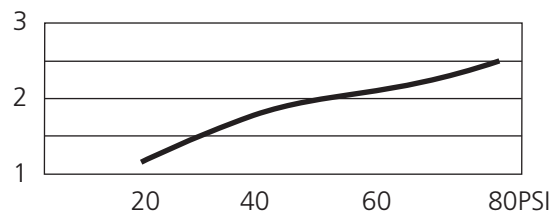
Things You May Need

Correct installation may vary depending on previous faucet installation. All necessary supplies required for faucet installation are not included, but may be found where plumbing supplies are sold. It is suggested that IAPMO and/or CSA approved plumbing supplies are used during installation.

Standards

IAPMO/cUPC Listed
Meets NSF 61-9
Meets A112.18.1

Flow Rate



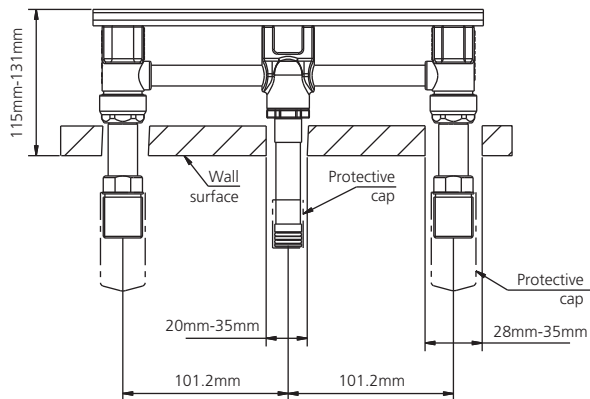
Please note :

Final achievable flow rate is dependent on the outlets fitted, see relevant outlets (spouts, roses, sprays) for fully assembled product flow rate.

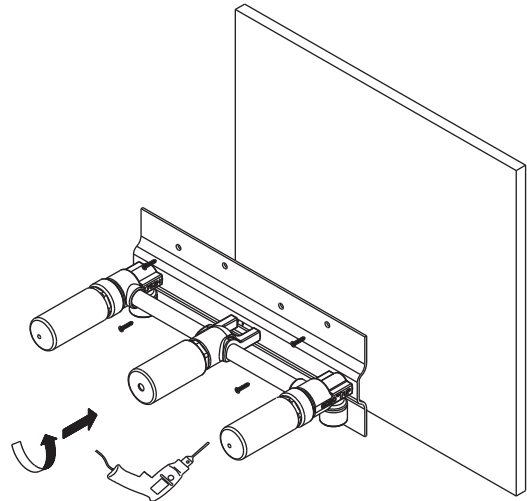
Steps 1-3

Installation Procedure

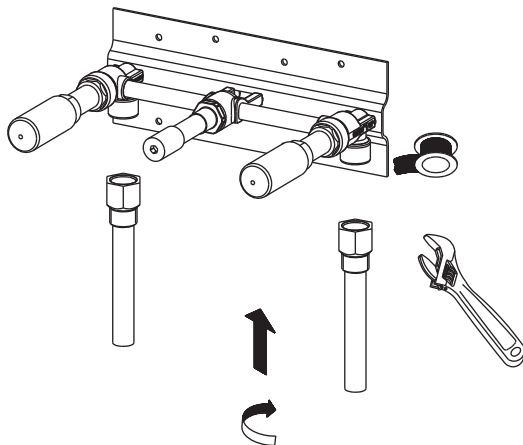
Lefroy Brooks always recommends that plumbing products be installed by a licensed professional. Shut off main water supply before installation.



1



2



3

1 Before installation, make sure that the distance between rough and wall is as indicated in the above figure.

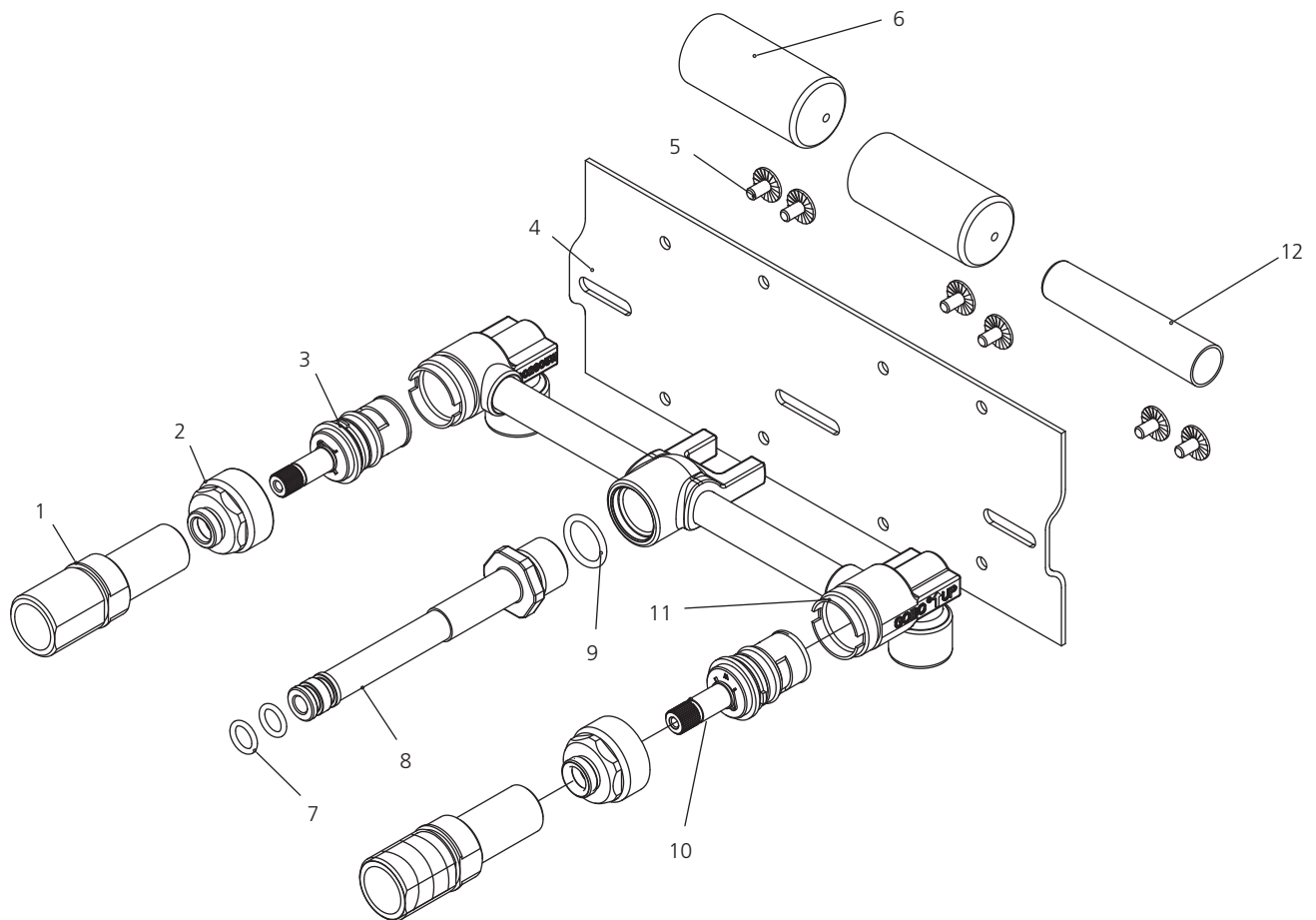
2 Install valve body onto internal wall.

3 Connect the inlets with water supply.

Exploded View

Parts List

R1-4015
R1-4016

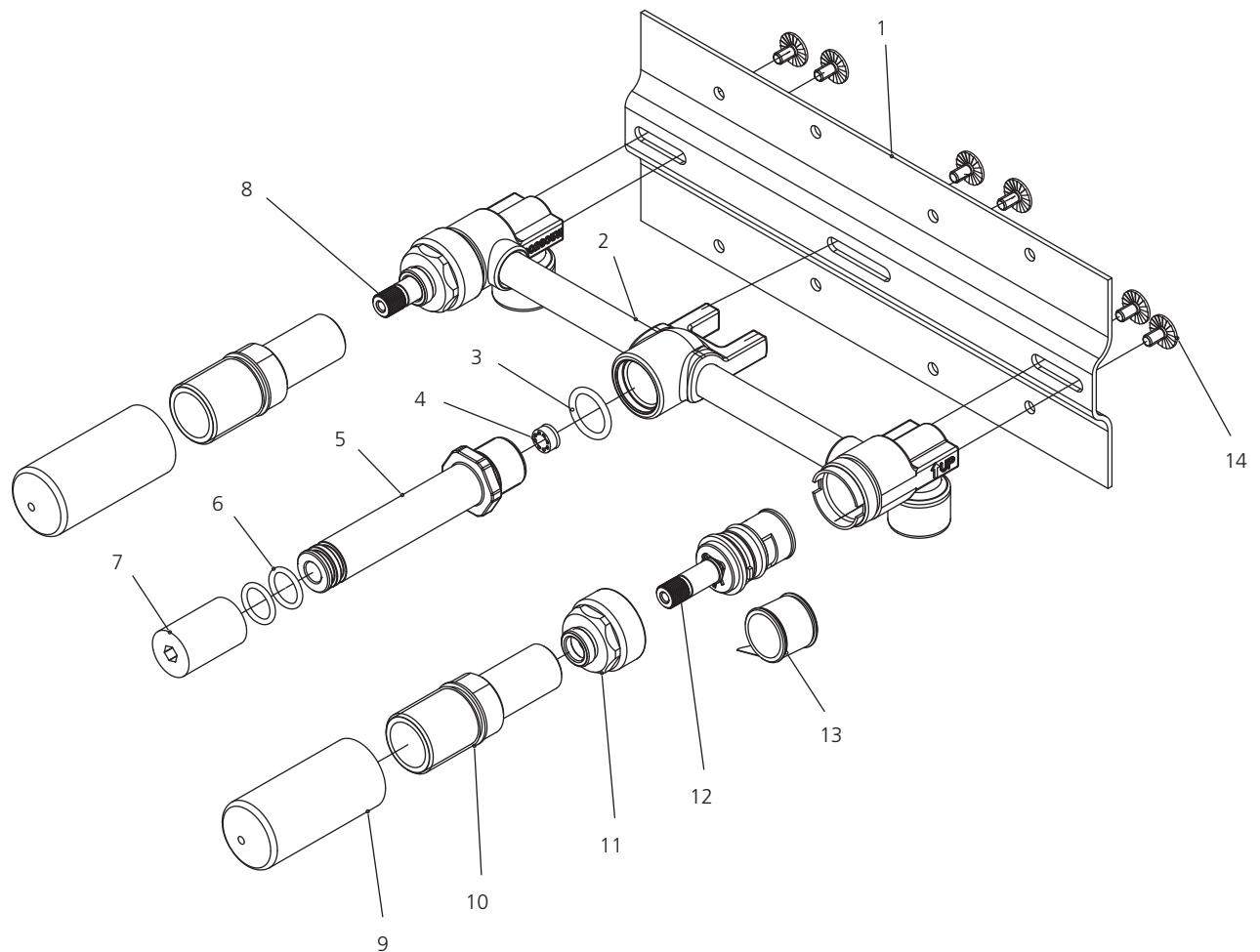


1	Adaptor (067733)	6	Protective cap (038007)	11	Body (002727W)
2	Retaining nut (016231)	7	O-ring (004026N)	12	Protective cap (045160)
3	Cartridge assembly (H) (507909N for R1-4027, 507071W for R1-4028)	8	Adaptor (067732W)		
4	Back plate (126671-S)	9	O-ring (004010N)		
5	Screw (008013)	10	Cartridge assembly (C) (507909N for R1-4027, 507072W for R1-4028)		

Exploded View

Parts List

R1-4027
R1-4028



1	Back plate (126671-S)	7	Protective cap (045225)	11	Retainer nut (016231)
2	Body (002727W)	8	Cartridge assembly (H) (507909N for R1-4027, 507071W for R1-4028)	12	Cartridge assembly (C) (507909N for R1-4027, 507072W for R1-4028)
3	O-ring (004010N)			13	Teflon tape (203000)
4	Flow restrictor (519234N)	9	Protective cap (038007)	14	Screw (008013)
5	Adaptor (077126W)	10	Adaptor (067733)		
6	O-ring (072042N)				

For additional assistance or service call

718-302-5292

9am to 5pm EST Monday to Friday



L E F R O Y B R O O K S

www.lefroybrooks.com

LEFROY BROOKS INC, 1828 TROUTMAN STREET, RIDGEWOOD, NY, 11385
TELEPHONE: 718-302-5292. FAX: 718-302-4177

The use of trademarks, product design and artwork is subject to licence or agreement with LBIP Ltd. The design registrations, trademark registrations and copyrights are protected by law and the use or reproduction outside the terms of an agreement is prohibited. The right to modify designs and dimensions is reserved. Christo Lefroy Brooks is a member of ACID (Anti Copying in Design).