



# LEFROY BROOKS

1 8 2 8 T R O U T M A N S T R E E T  
R I D G E W O O D N E W Y O R K N Y 1 1 3 8 5 U S A  
T: +1(718) 302 5292 F: +1(718) 302 4177

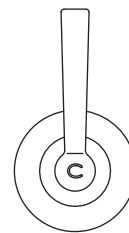
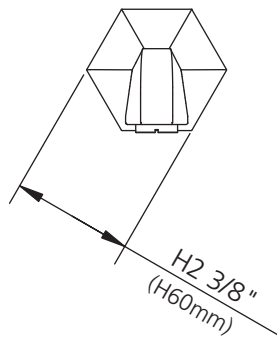
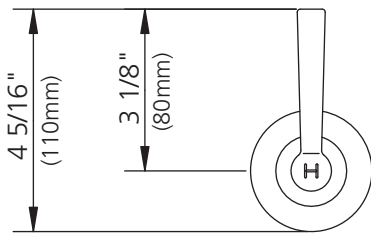
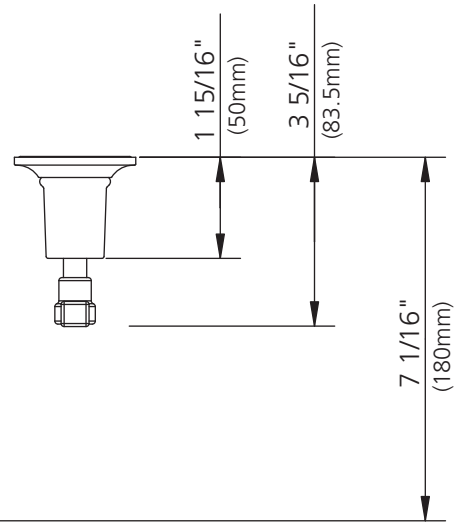
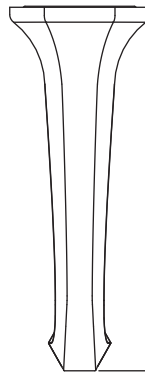
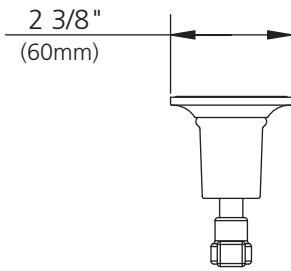
## M1-1111 (ML1200)

LEVER 3-HOLE WALL BASIN MIXER TRIM ONLY,  
TO SUIT R1-4028 ROUGH

### DIMENSIONAL DATA SHEET

DATE: 14 May 2010

No: A66F167W

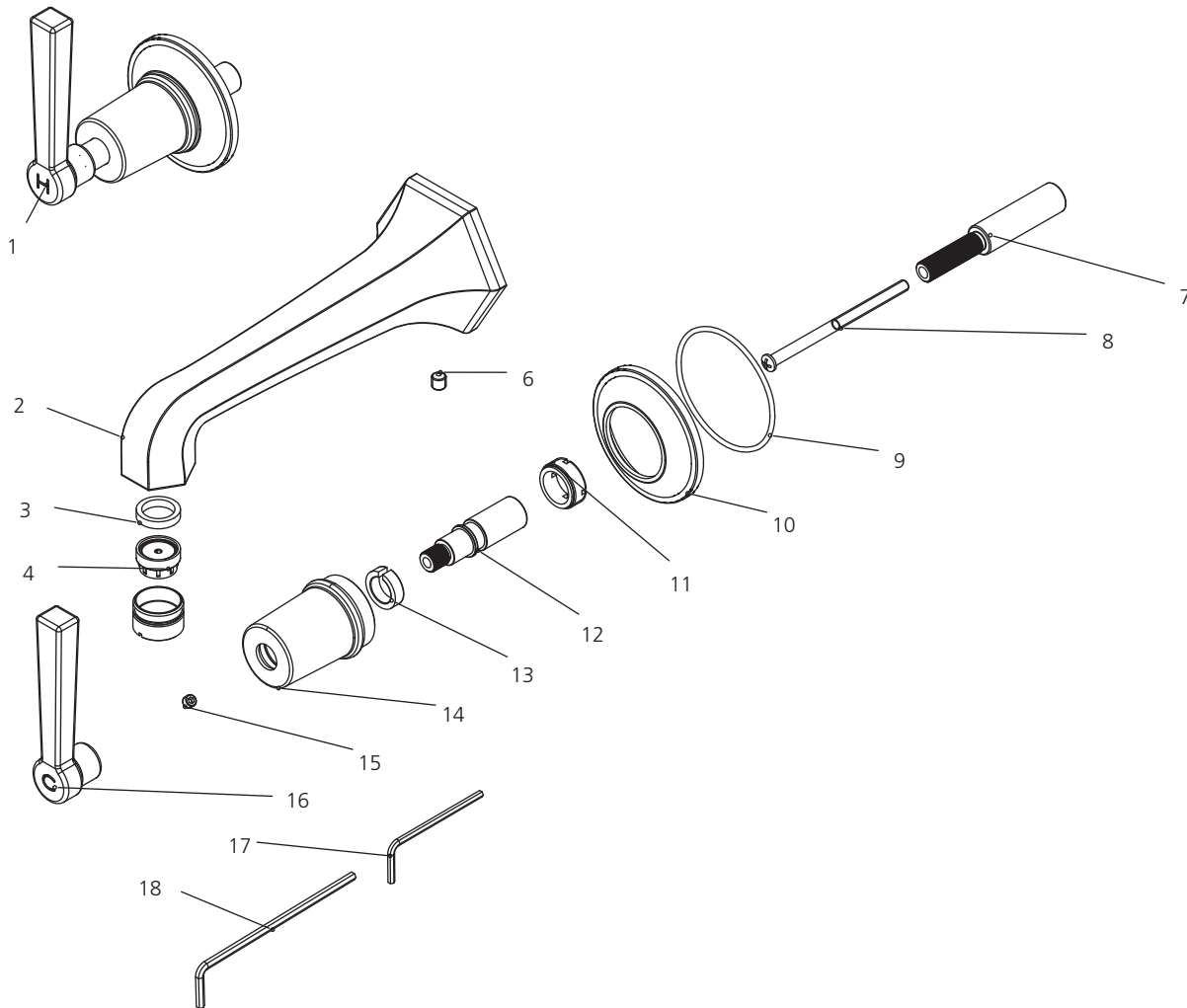


DIMENSIONS IN INCHES & MILLIMETRES

WHILST EVERY EFFORT IS MADE TO ENSURE THE ACCURACY OF THESE DATA SHEETS THEY ARE SUBJECT TO CHANGE WITHOUT NOTICE AS PART OF THE COMPANY'S PRODUCT DEVELOPMENT PROCESS

# M1-1111 (ML1200)

LEVER 3-HOLE WALL BASIN MIXER TRIM ONLY, TO SUIT R1-4028 ROUGH



1	Lever handle ( H ) (069826H)	7	Stem extension (110473)	13	Clip (012242)
2	Spout (118558W)	8	Screw (008488)	14	Canopy (018014)
3	Oil-seal (010095N)	9	O-ring (004640N)	15	Set screw (292598)
4	Aerator insert (553601n)	10	Escutcheon (071325)	16	Lever handle ( C ) (069826C)
5	Aerator housing (033071N)	11	Adaptor (057507)	17	Allen wrench (031000)
6	Set screw (065154)	12	Adaptor (067773)	18	Allen wrench (031017)

## Standards

IAPMO/cUPC Listed  
 Meets NSF 61-9  
 Meets A112.18.1  
 ADA Compliant

Please note :

Final achievable flow rate is dependent on the outlets fitted, see relevant outlets (spouts, roses, sprays) for fully assembled product flow rate.