

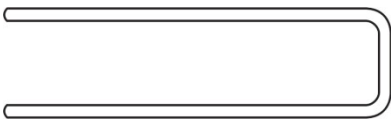
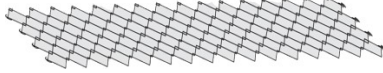


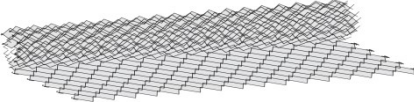




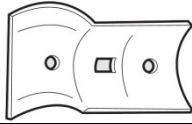


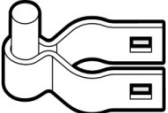
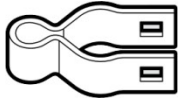
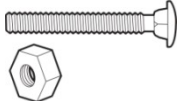
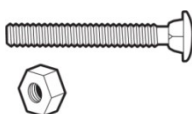
DOG KENNEL KIT ASSEMBLY INSTRUCTIONS

DK 7 X 7 X 4

TOOLS NEEDED

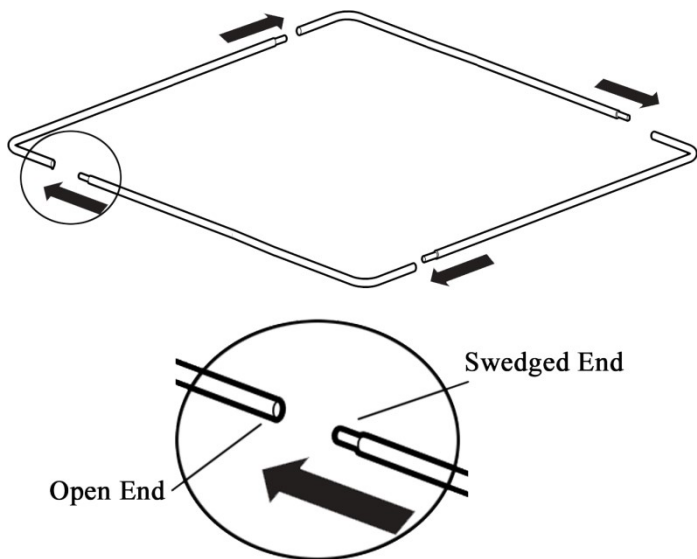
•Adjustable Wrench •Pliers •Hammer •Tape Measure

HARDWARE KIT

No.	Description	Part Identification	Quantity
A	U-shaped Tube		1
B	Chain Link Mesh Piece		1
C	Short Tube for Gate		1
D	Tension Bar for Gate		2
E	Chain Link Mesh Roll		1
F	Bent Tube Swedged on one End		8
G	Vertical Post		5
I	Tension Bar for Mesh Roll		2
J	Tie Wires		64
K	Clamps		24
L	Clips		12
M	Latch		1
N	Post Hinge		2
O	Frame Hinge		2
P	Nuts/Bolts, Size:5/16"x2"		12
Q	Nuts/Bolts, Size:3/8"x2"		4

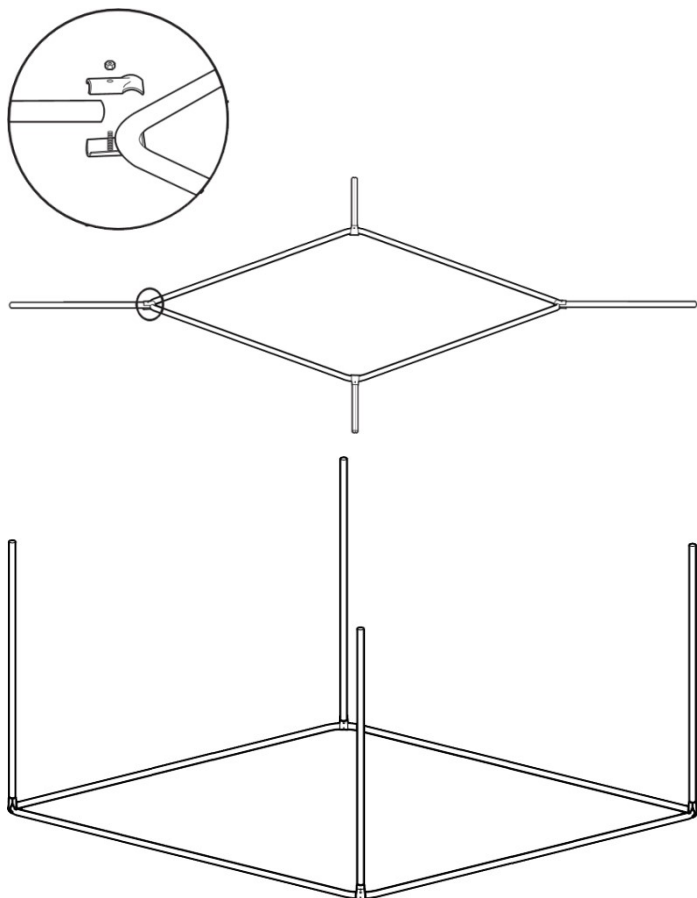
STEP 1:

Lay down 4 bent tube pieces “F” so that they make a square. Push these frame pieces together. The swaged ends and open ends should fit nicely together. If you have any problems, make sure the open ends are cleaned out with nothing blocking the way.



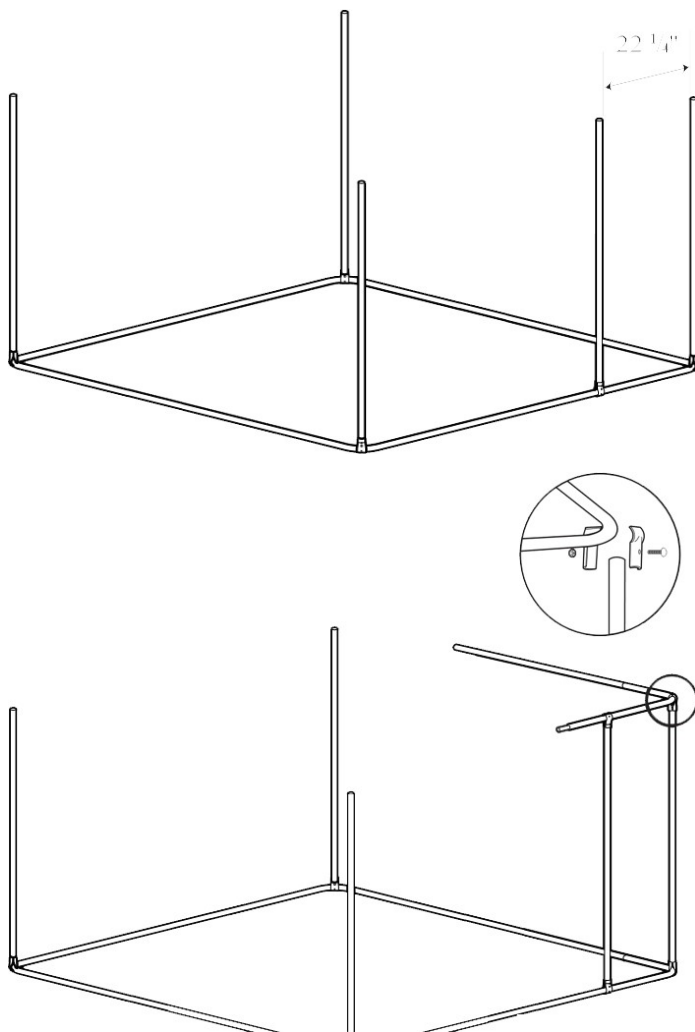
STEP 2:

Attach the 4 vertical posts “G” using the clamps “K”. Posts “G” connect at 4 corners and 1 for the gate to latch to.



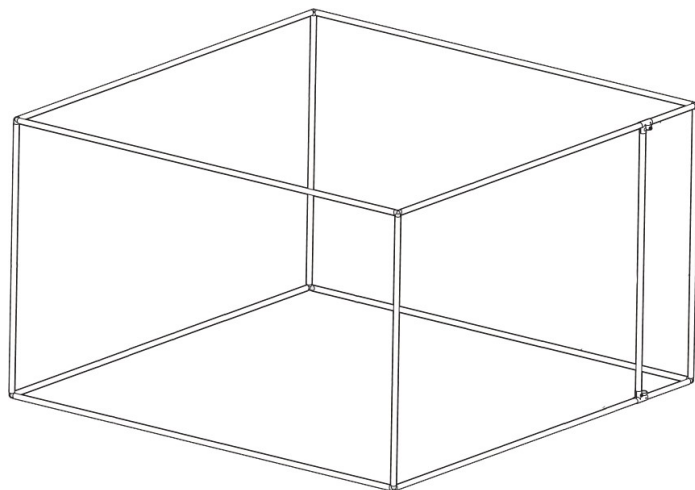
STEP 3:

Repeat STEP 1 with the other 4 bent tube pieces “F”. Stand the vertical posts “G” and attach them using the clamps “K” to the top section you have just made.



STEP 4:

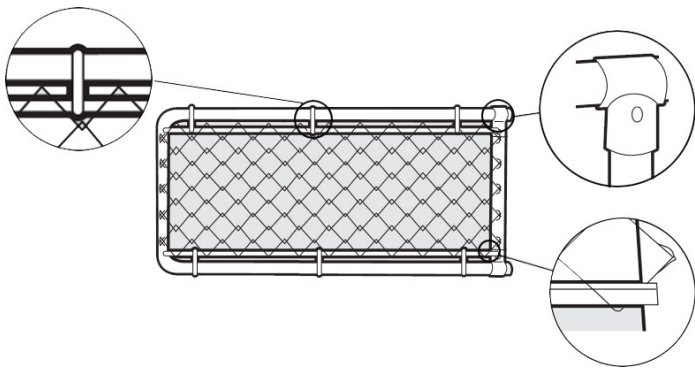
Make sure that the vertical post that your gate is latching to is 22 ½ inches away from the corner. Measured from the inside of latch post to the inside of the hinge post.



STEP 5: Hanging the gate

Assembly the Gate

Make a gate frame with 1 U Shaped Tube “A”, 4 Clamps “K”, 2 sets of bolt and nut “P” and 1 Short Tube “C”. And then add the Chain Link Mesh Piece “B” to the gate frame with 2 Tension Bar “D” and 6 Clips “L”.

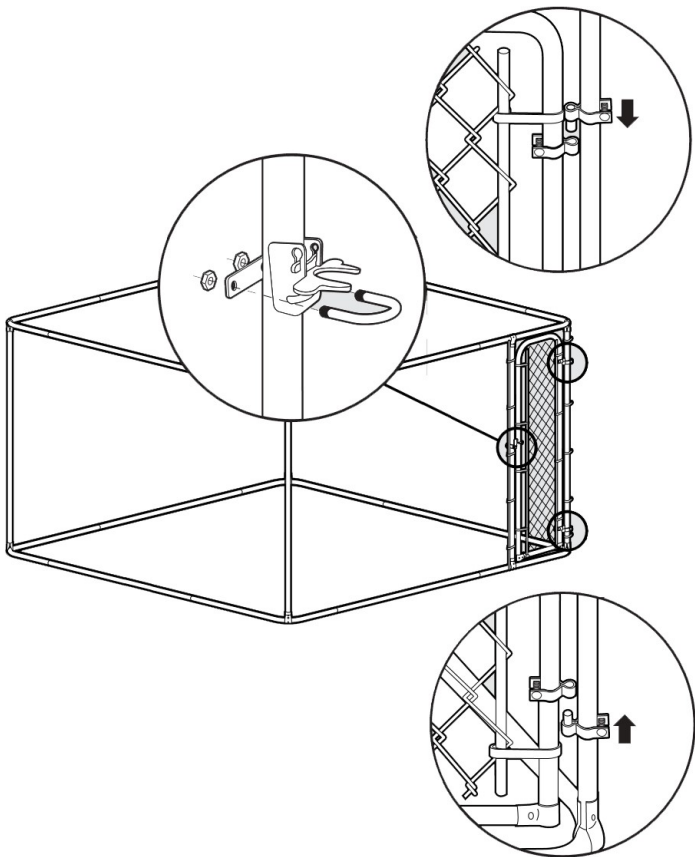


Fasten the post hinges “N” (hinge with the pin) to the vertical post that you are hanging the gate on approx. 8-12 inches from top & bottom. The top post hinge should point up, and the bottom post hinge should point down.

Place the frame hinges “O” (hinge without pin) on the gates hinge side. Position the gate with the fabric on the outside of the kennel and the rounded corners of the gate on top.

Place top frame hinge onto the post hinge and tighten at desired height then repeat with bottom frame hinge.

Set the gate latch “M” at your desired height on the latch post and tighten.



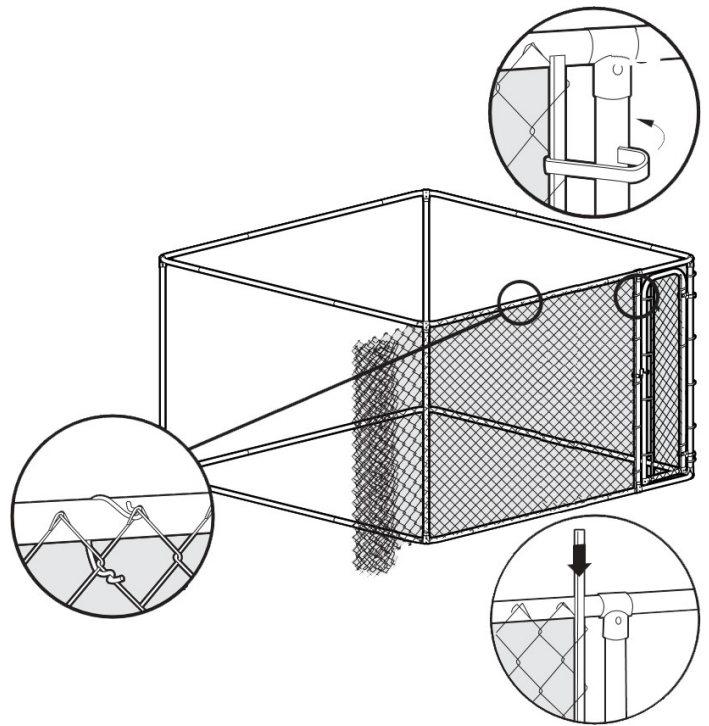
STEP 6: Fabricating the kennel

Slip a tension bar “I” into the chain link “E” and fasten to the latch post, (see diagram) with 3 clips “L”.

Wrap the chain link around the frame, making sure it is tight against the structure. Use a hammer to stretch the chain link around the corners if needed. You may have excess chain link when you reach the end of the kennel, if so detach excess chain link by using a pair of pliers to straighten

knuckle at the top and bottom of the chain link and twist out picket. (see diagram)

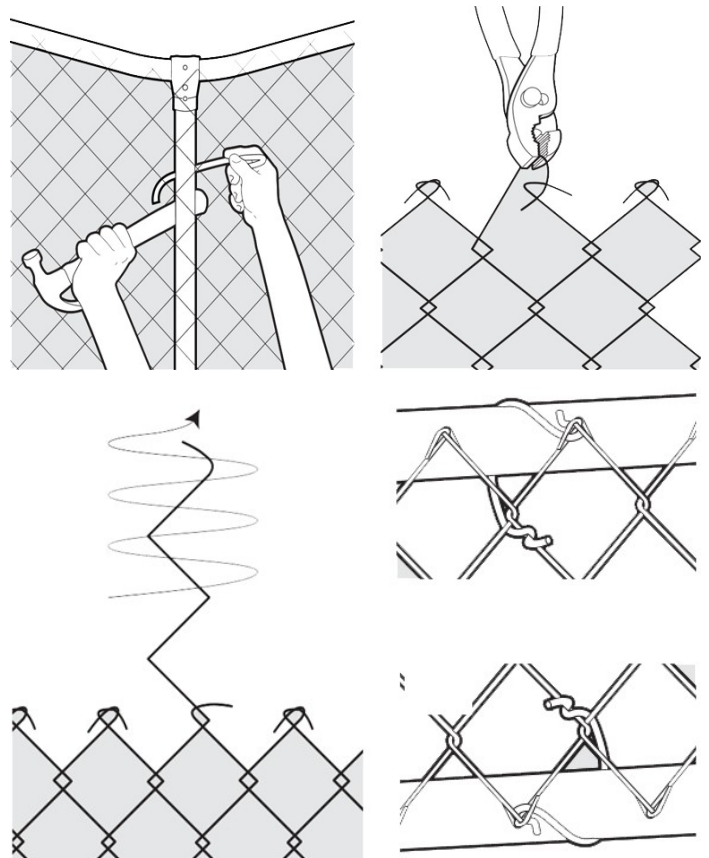
To terminate slip the tension bar “I” through the end of the chain link, have the 3 clips “L” ready on the tension bar and clip around the hinge post.



STEP 7:

Fasten the chain link to the frame at every vertical post using the ties “J” provided.

It’s suggested to use 5 ties per vertical post and 4-5 ties between each post on the bottom and top.



FINISHED PRODUCT

