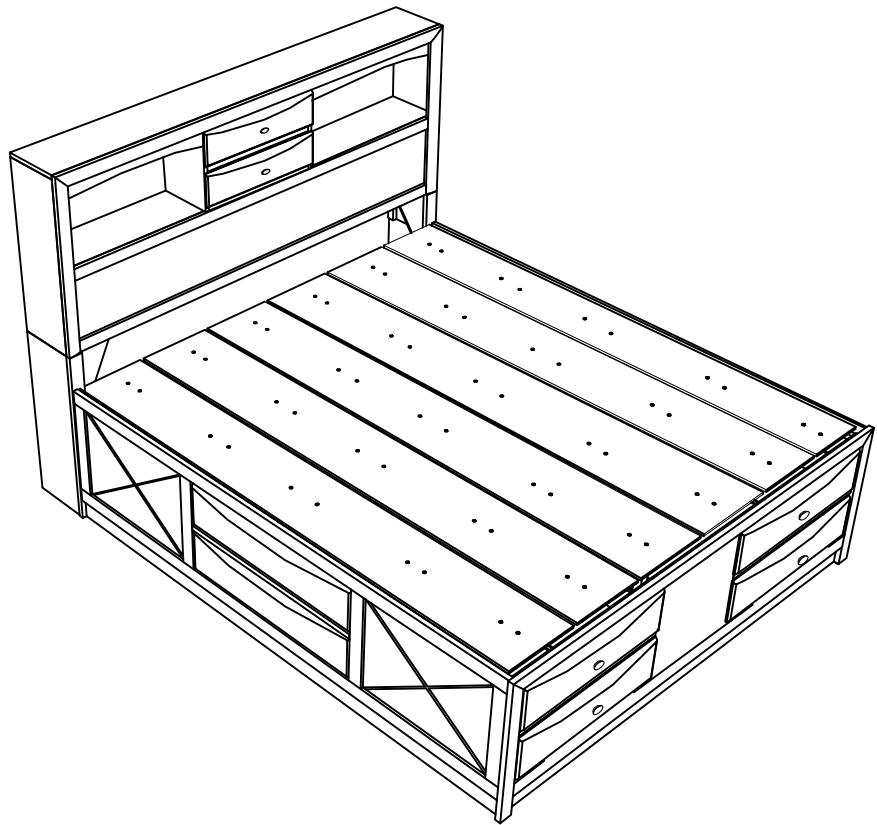


Storage Bed

Assembly Installation Guide

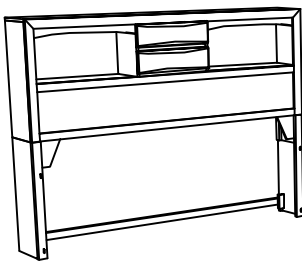
DESCRIPTION:

Headboard
Footboard
Side Rails
Slat & Support Legs Storage
Drawers

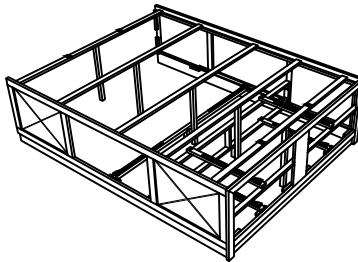


INSTALLATION AREA

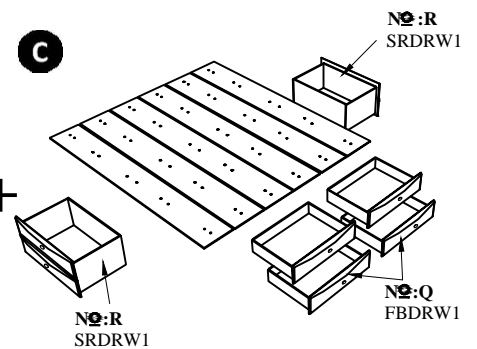
A



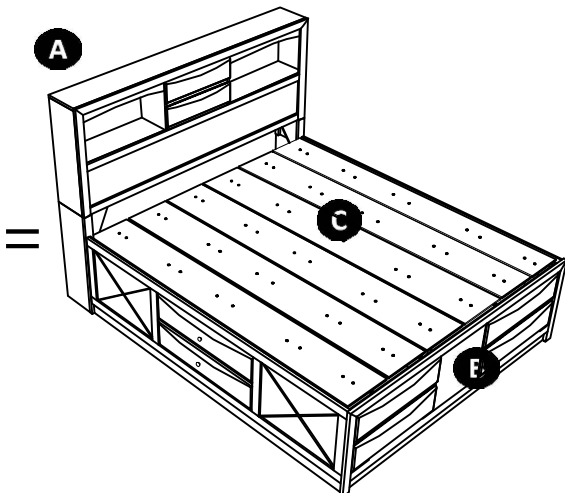
B



C



A

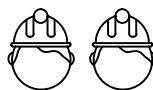


Caution : Please read instructions thoroughly before unpacking assembly parts. Sharp, exposed staple tips can cause injury, therefore, for your protection, please remove any exposed staples used in packing.

1. We recommend that you should assemble this product with the assistance of another person ; this will make assembly easier, and will help to eliminate damage to the product or injury to persons during assembly.
2. Be sure to check all packing materials carefully for small parts that may have come loose inside the carton during shipment.
3. Please do not over tighten screws or bolts.
4. Please put all parts on a non - abrasive floor before assembly. and follow the assembly step to assemble your newly purchased product correctly and efficiently .

Drawer No:Q & No:R are identical & compatible, to each other regardless left or right.

During assembly, do not tighten any hardware until the complete unit has been assembled.



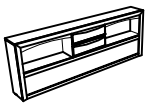
2 PERSON
installation recommended



20 - 25
minutes for installation

BOX 1

Box of Headboard & Footboard



N0A

Headboard x 1
255 x 1420 x 1997 mm



N0C(L)

Headboard Leg (L) x 1



N0E

Drawer Support Rail 2 x 4
20 x 40 x 633mm



N0B

Footboard x 1
42 x 570 x 1995mm



N0C(R)

Headboard Leg (R) x 1



N0F

Support Leg 2 x 1
30 x 30 x 95mm



N0A1

Headboard Drawer x 2



N0D

Triangle Support Panel x 2
-9 x 200 x 200



N0G

Support Leg 3 x 1
30 x 30 x 107mm

Hardware List



N01
Flat Head Chipboard
Screw x 9
m4 x 32mm RBW



N02
Pan Head Chipboard
Screw x 8
m3.5 x 20mm BLK



N03
JCBC Bolt x 4
m6 x 35mm
BLK



N04
JCBC Bolt x 2
m6 x 50mm
BLK



N05
Spring Washer x 6
1/4" RBW



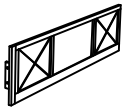
N06
Flat Washer x 6
1/4" ID x 13mm OD
BLK



N07
Allen Key x 1
m4 x 110mm BLK

BOX 2

Box of Side rail



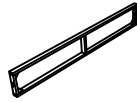
N0H

Side Rail x 2
39 x 570 x 2060mm



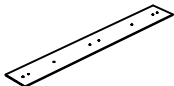
N0I

Bed Slat x 3
18 x 45 x 1951mm



N0J

F/Board Drawer Frame x 1
40 x 220 x 1951mm



N0K

Concealed Panel x 6
9 x 295 x 2040mm



N0L

H/Board Back Support 1
x 1
19 x 30 x 1965mm



N0M

Drawer Support Rail x 1
30 x 30 x 1951mm



N0N

Support Leg 1 x 5
30 x 30 x 518mm



N0O

H/Board Back Support 2 x 1
18 x 45 x 1965mm



N0P

Bed Slat With Marking x 2
18 x 45 x 1951mm

Hardware List



N08
Flat Head Chipboard
Screw x 16
m4 x 32mm RBW



N09
Pan Head Chipboard
Screw x 32
m3.5 x 20mm BLK



N010
JCBC Bolt x 15
m6 x 35mm
BLK



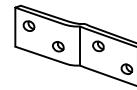
N011
JCBC Bolt x 6
m6 x 50mm
BLK



N012
Spring Washer x 15
1/4" RBW



N013
Flat Washer x 15
1/4" ID x 13mm OD
BLK



N014
Z-Bracket x 1



N015
Allen Key x 1
m4 x 110mm BLK

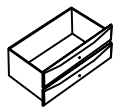
BOX 3 & 4

Box of Parts & Hardware



N0Q

Drawer 1 x 4



N0R

Drawer 2 x 2



N016

Handle x 8



N017
Truss Head M.
Screw Handle x 4
m4 x 48mm BLK



N018
Truss Head M.
Screw Handle x 4
m4 x 50mm BLK

A

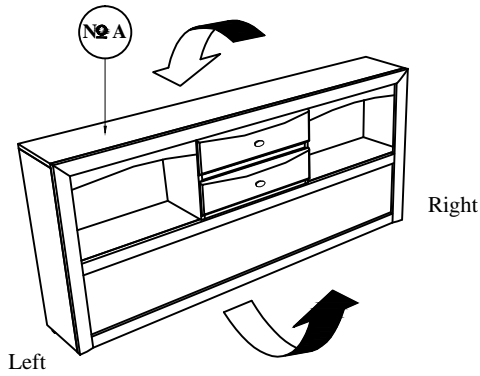


Headboard Assembly Installation

STEP 01

Rotate the Headboard (A) down and turn to back.

Box 1 : No A

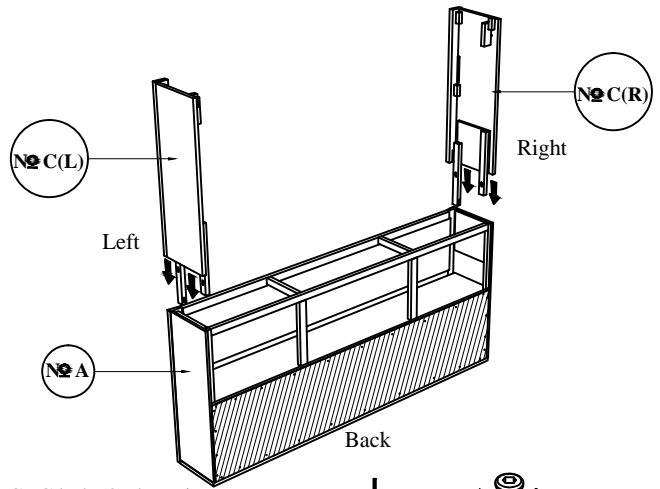


STEP 02

Attach and tighten the Headboard Leg

L/R (C) to the Headboard (A).

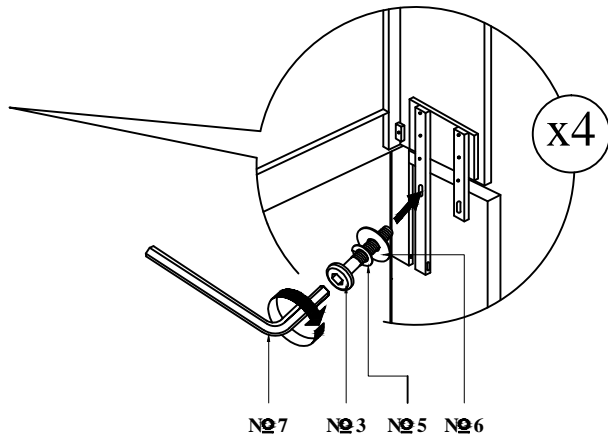
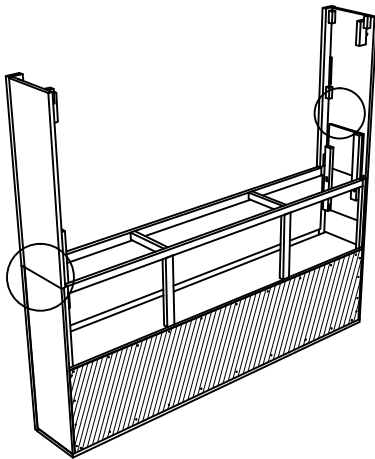
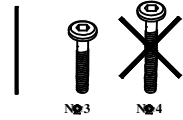
Box 1 : No C(L) + No C(R)



STEP 03

Insert Spring washer (5) , Flat Washer (6) , tighten JCBC bolt (3) by using an Allen Key (7).

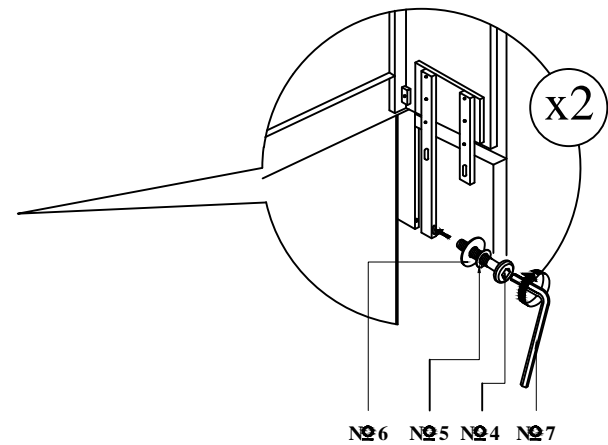
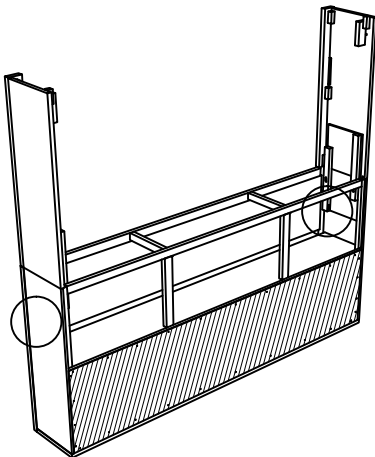
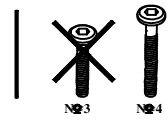
Box 1 : No 3 + No 5 + No 6 + No 7



STEP 04

Insert Spring washer (5) , Flat Washer (6) , tighten JCBC bolt (4) by using an Allen Key (7).

Box 1 : No 4 + No 5 + No 6 + No 7



A

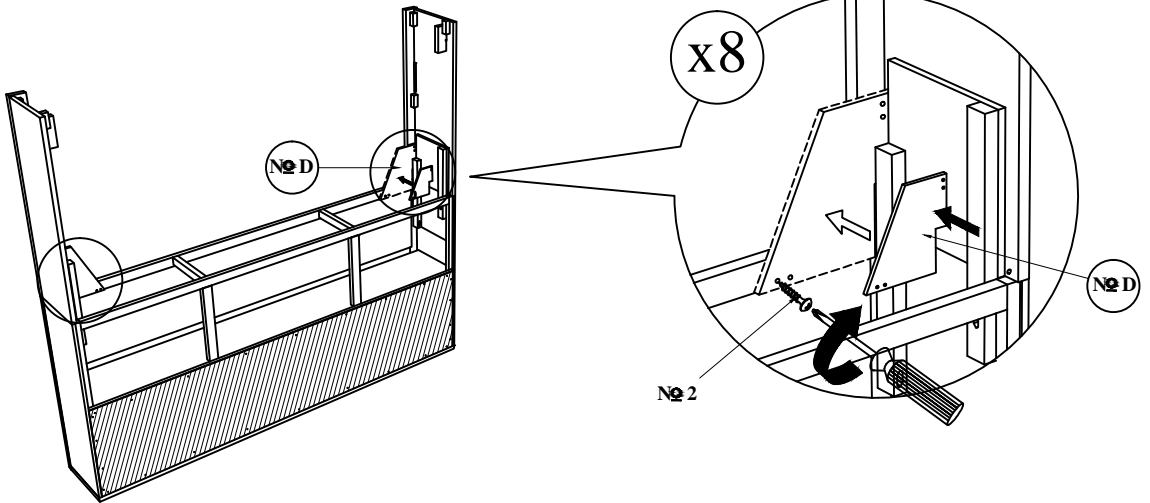


Headboard
Assembly
Installation

**STEP
05**

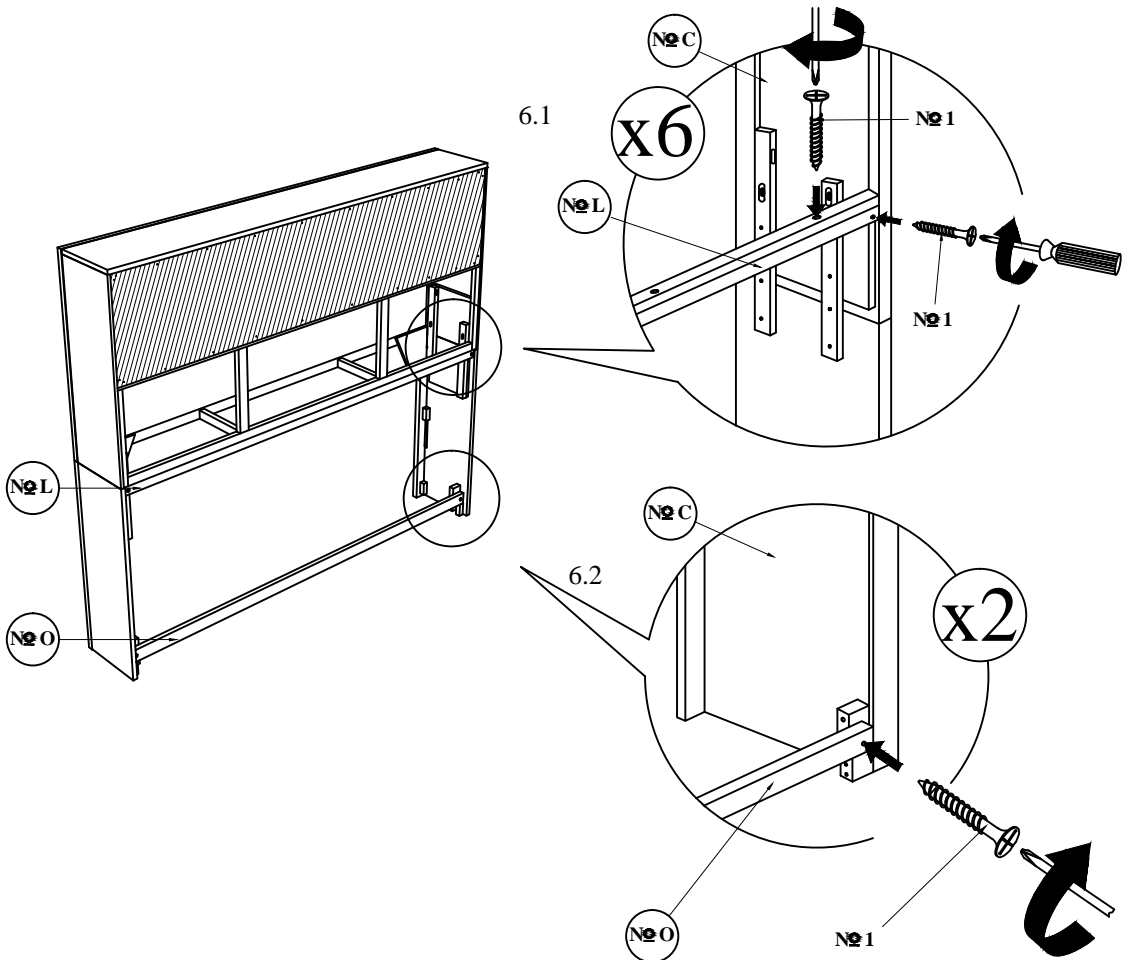
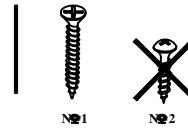
Attach and tighten the triangle Support Panel (D) to the Headboard and tighten the Panhead screw (2) using screw driver . (Not included)

Box 1 : № D + № 2



**STEP
06**

Attach Headboard Back Support (L) & (O) as picture shown. Tighten the CSK screw (1) using a screw driver. (Not included)



B

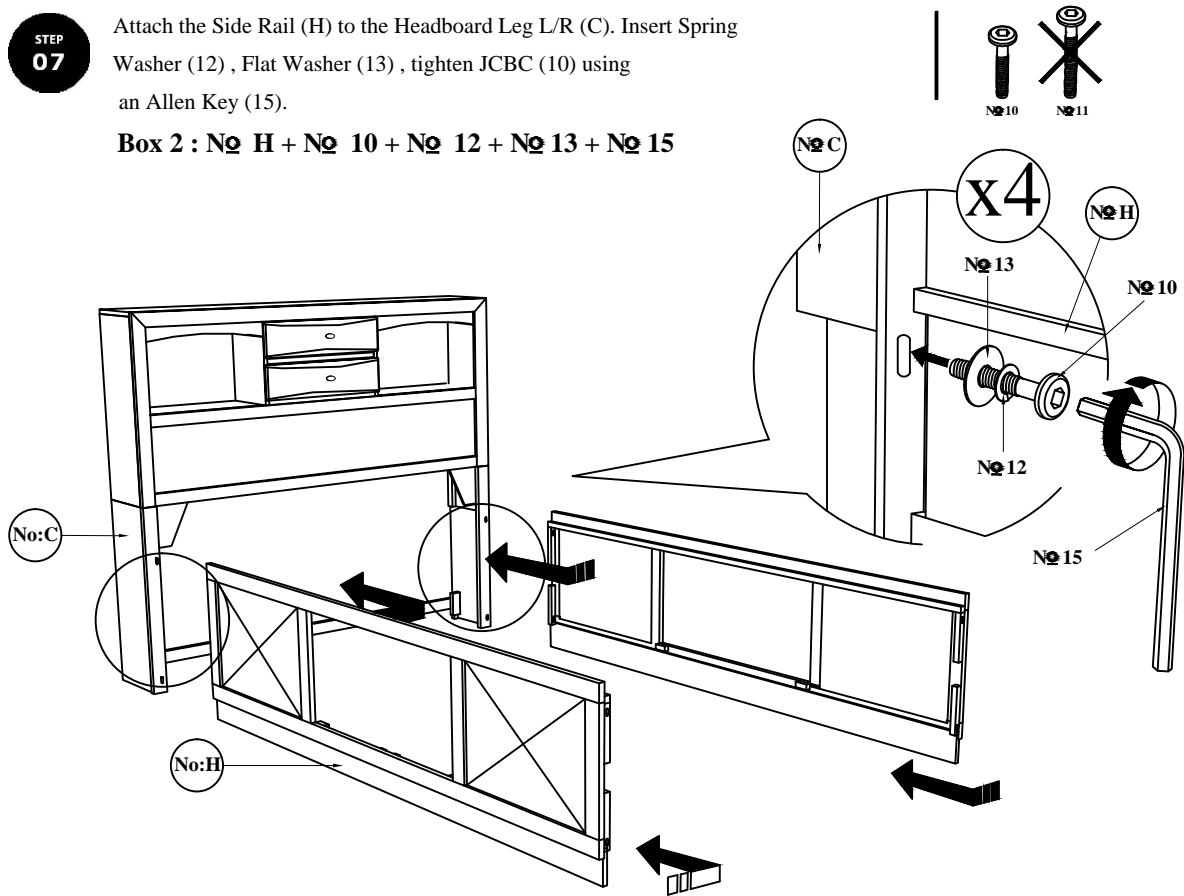
STEP
07

Attach the Side Rail (H) to the Headboard Leg L/R (C). Insert Spring Washer (12), Flat Washer (13), tighten JCBC (10) using an Allen Key (15).

Box 2 : No H + No 10 + No 12 + No 13 + No 15



Footboard
Structure
Assembly
Installation

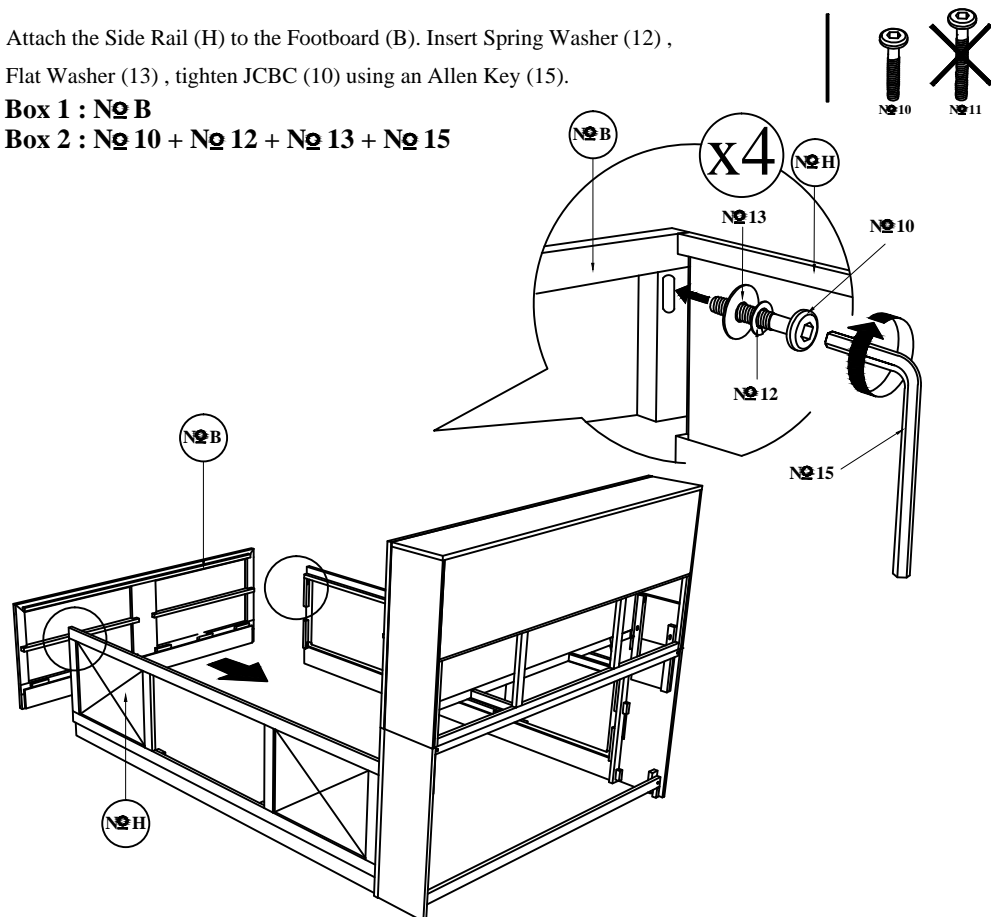


STEP
08

Attach the Side Rail (H) to the Footboard (B). Insert Spring Washer (12), Flat Washer (13), tighten JCBC (10) using an Allen Key (15).

Box 1 : No B

Box 2 : No 10 + No 12 + No 13 + No 15



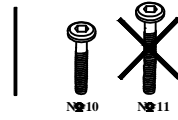
B

STEP
09

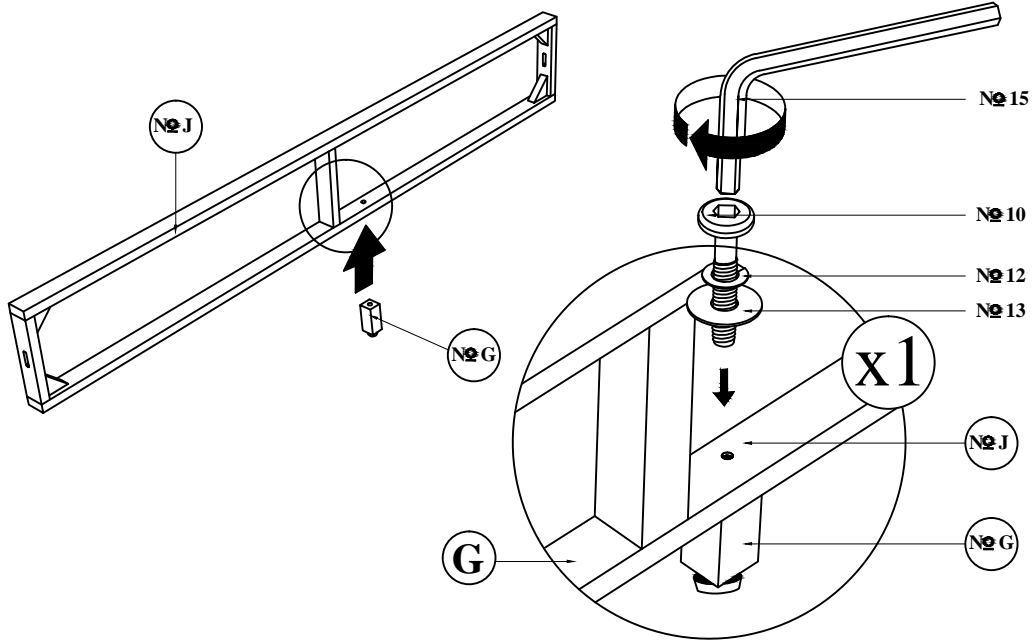
Attach Support Leg (G) to the Footboard Drawer Frame (J). Insert Spring Washer (12), Flat Washer (13), & tighten JCBC (10) using an Allen Key(15).

Box 1 : № G

Box 2 : № J + № 10 + № 12 + № 13 + № 15



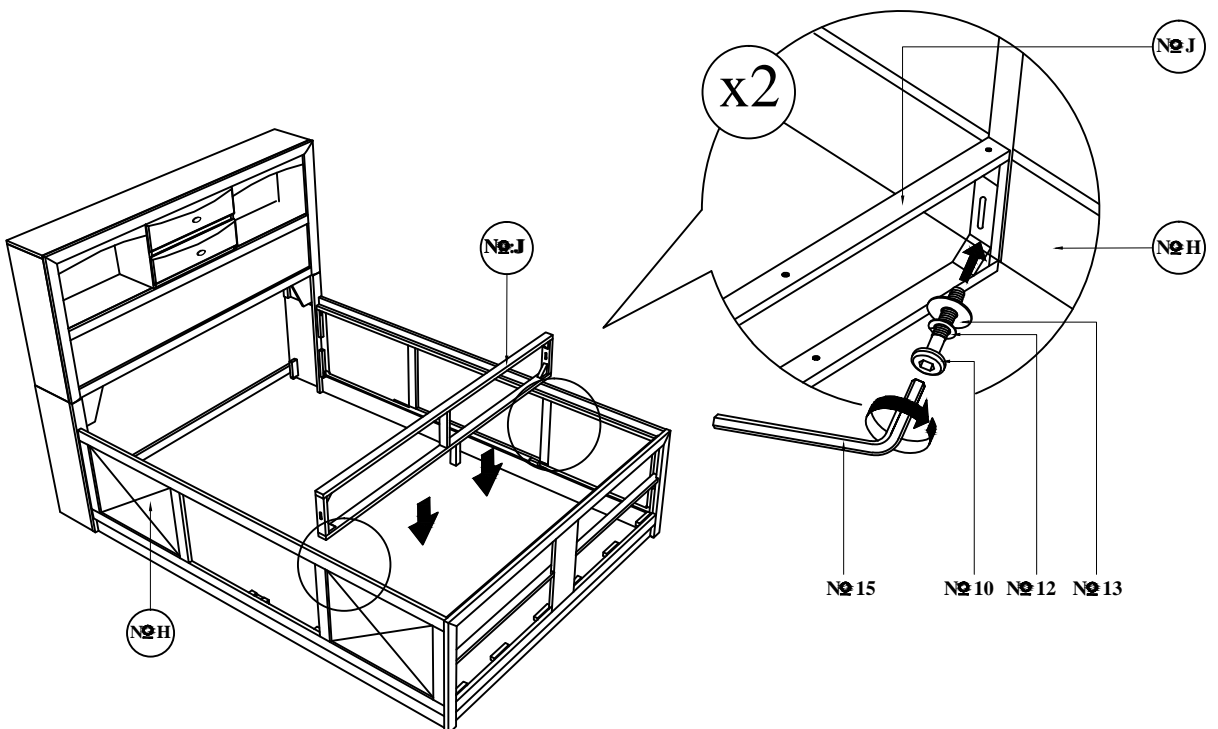
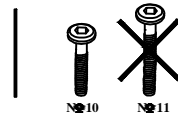
Footboard
Structure
Assembly
Installation



STEP
10

Attach the Footboard Drawer Frame (J) to the Side Rail (H). Insert Spring Washer (12), Flat Washer (13), tighten JCBC (10) using Allen Key (15).

Box 2 : № 10 + № 12 + № 13 + № 15



B

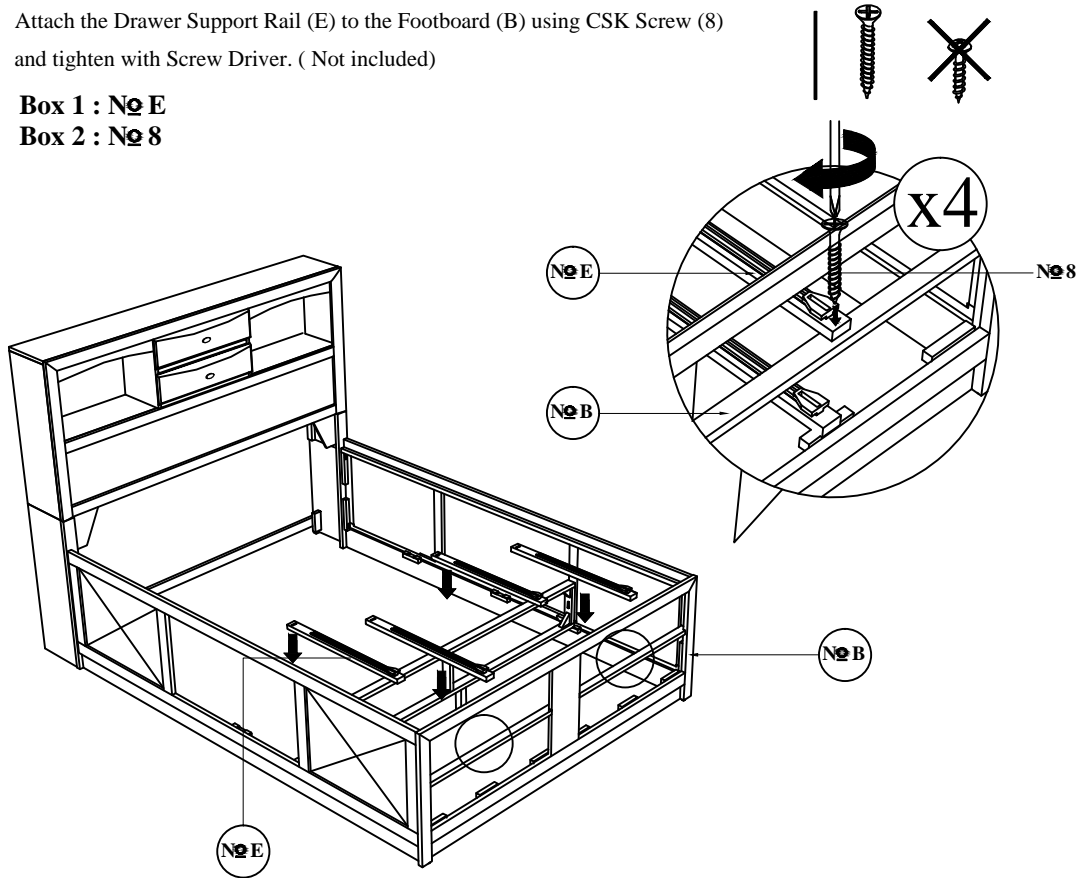


Footboard
Structure
Assembly
Installation

STEP
11

Attach the Drawer Support Rail (E) to the Footboard (B) using CSK Screw (8) and tighten with Screw Driver. (Not included)

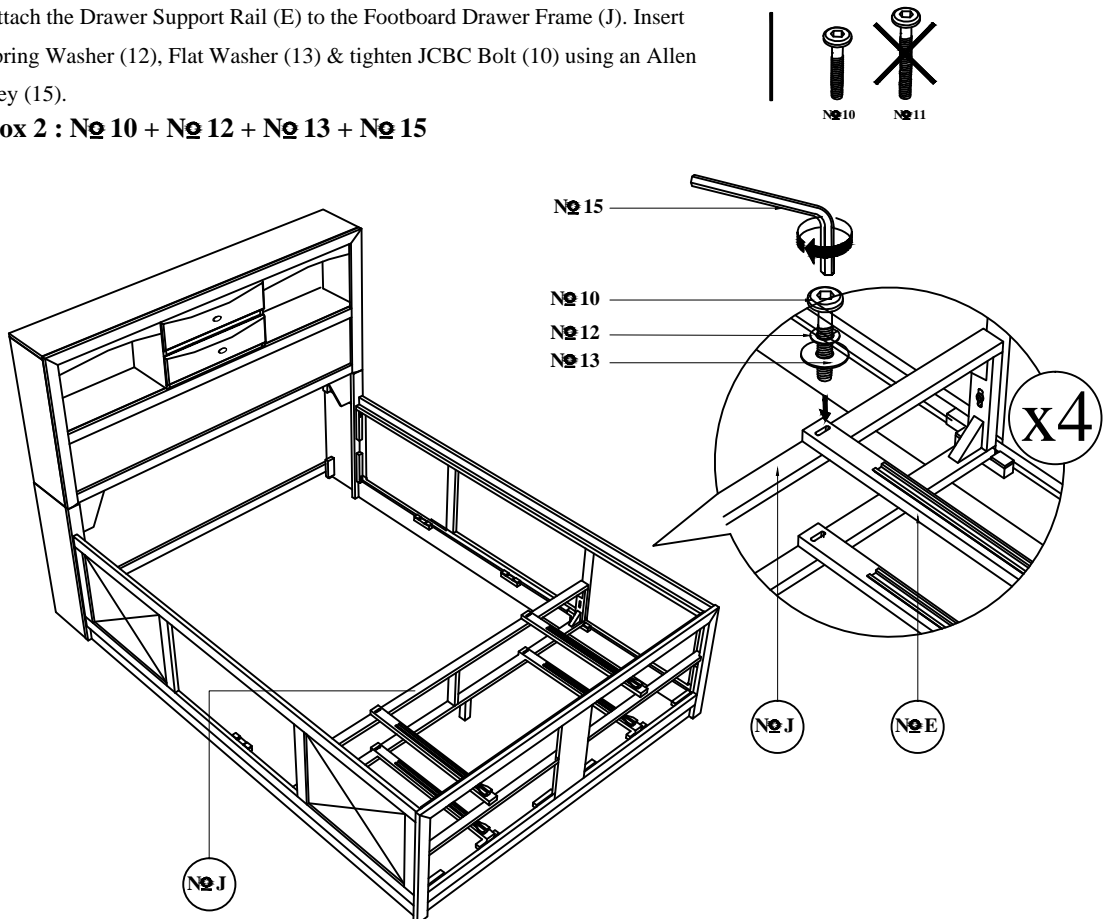
Box 1 : № E
Box 2 : № 8



STEP
12

Attach the Drawer Support Rail (E) to the Footboard Drawer Frame (J). Insert Spring Washer (12), Flat Washer (13) & tighten JCBC Bolt (10) using an Allen Key (15).

Box 2 : № 10 + № 12 + № 13 + № 15



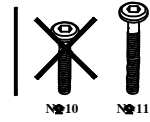
B

STEP
13

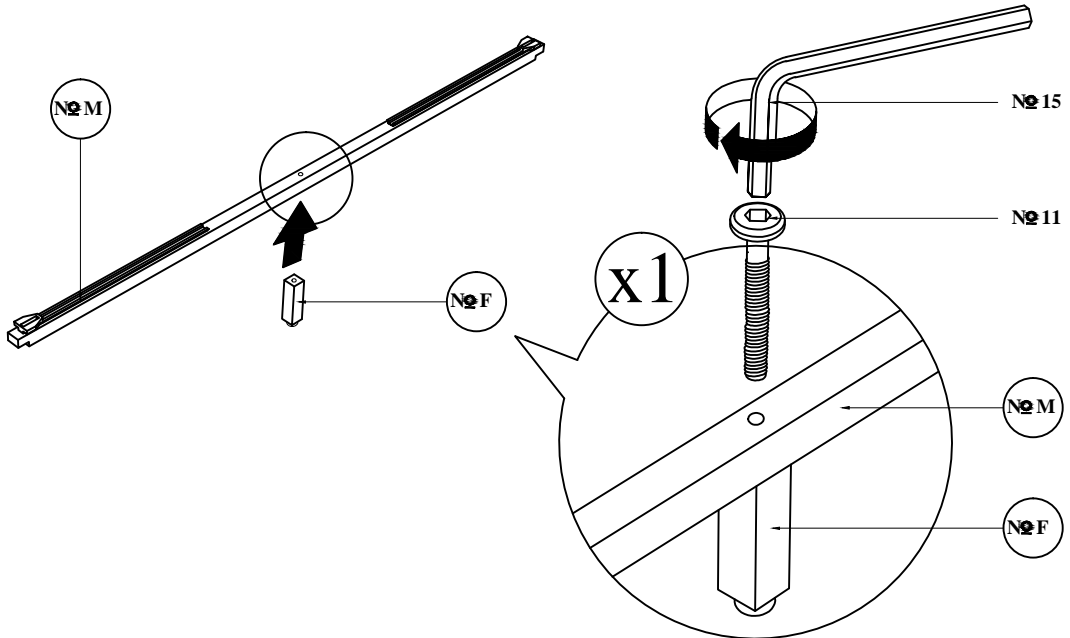
Attach Support Leg 2 (F) to the Drawer support Rail (M). Tighten JCBC Bolt (11) using an Allen Key (15)

Box 1 : N° F

Box 2 : N° M + N° 11 + N° 15



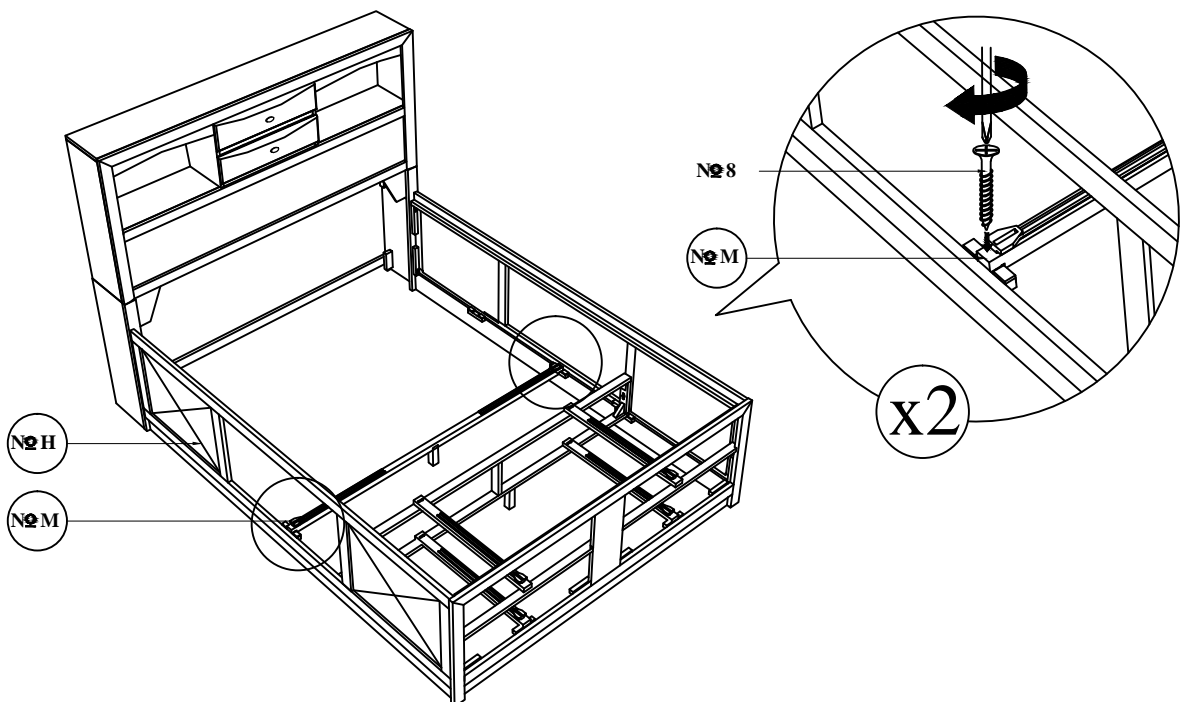
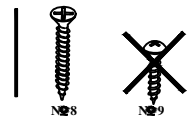
Footboard
Structure
Assembly
Installation



STEP
14

Attach Drawer Support Rail (M) to the Side Rail (H) using CSK Screw (8) and tighten with Screw Driver. (Not included)

Box 2 : N° 8



B

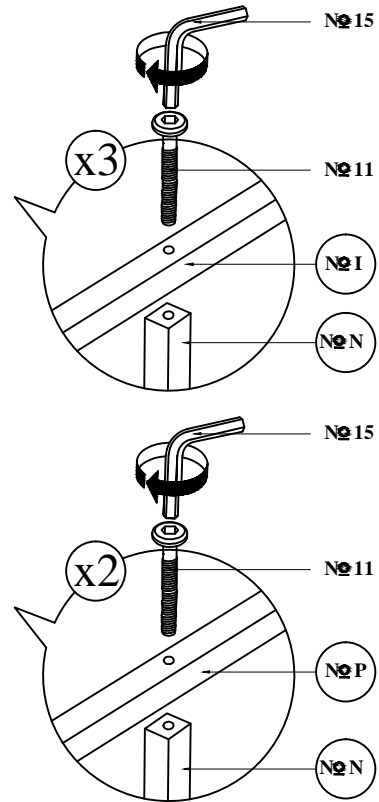
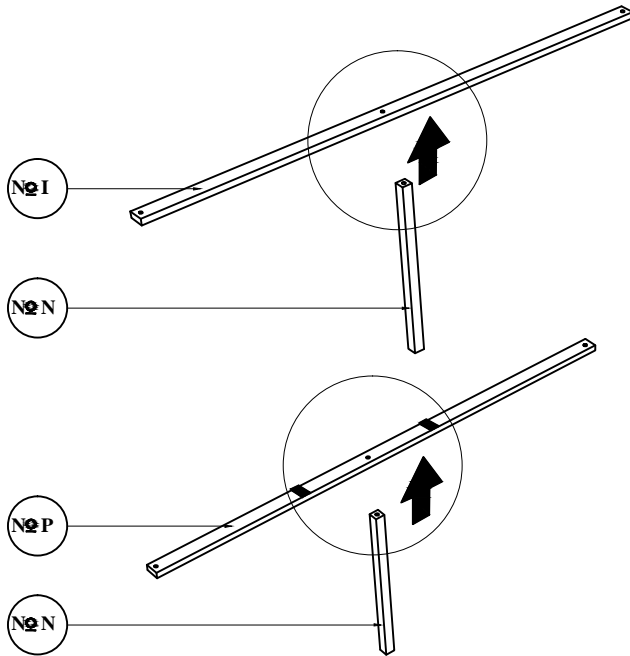
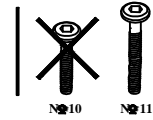


Footboard
Structure
Assembly
Installation

**STEP
15**

Attach Bed Slat (I) & (P) to the Bed Slat Support (N) . Tighten JCBC Bolt (11) using an Allen Key (15). (Loosen and tighten the Adjuster to stability of bed)

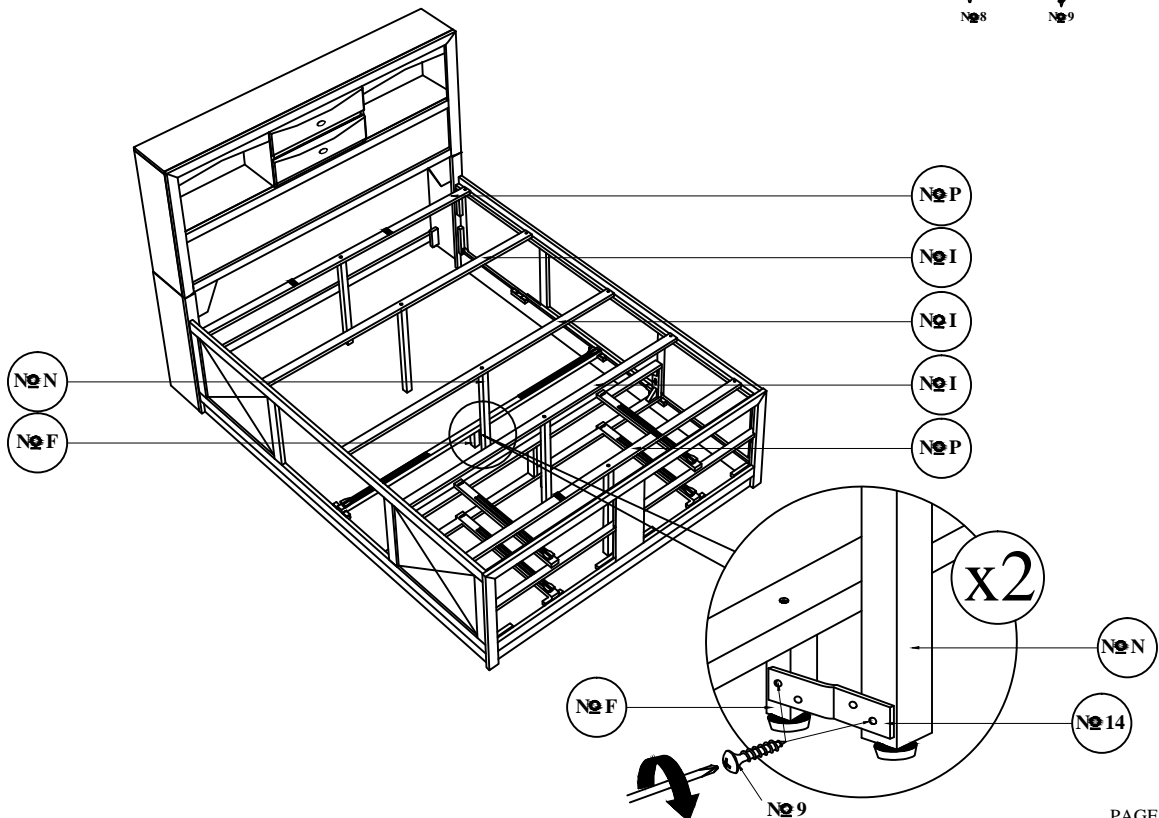
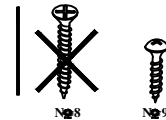
Box 2 : No I + No N + No O + No P + No 11 + No 15



**STEP
16**

Attach Z-Bracket (14) to the Bed Slat Support (N) and Support Leg 2 (F). Use Panhead Screw (9) and tighten with Screw Driver. (Not included)

Box 2 : No 9 + No 14



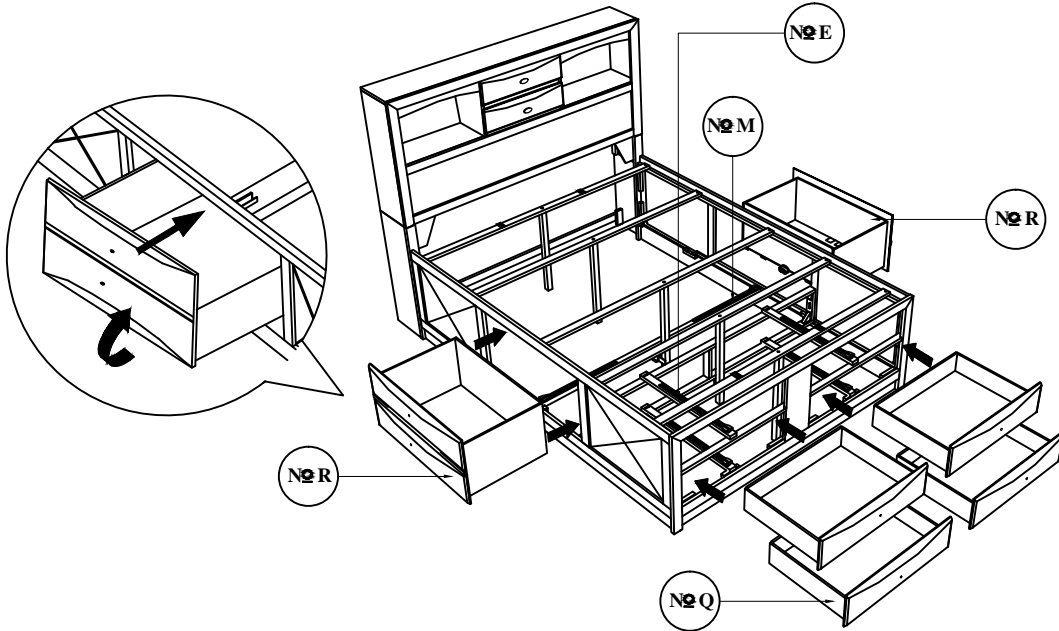
C

STEP 17

Slide Drawer - 2 (R) into position over Draer Support Rail -1 (M). Then slide Drawer - 1 (Q) into position over Drawer Support Rail - 2 (E). Adjust the adjuster for alignment of drawer box.

Box 3 : № Q + № R

Conceal Panel & Drawer Assembly Installation



STEP 18

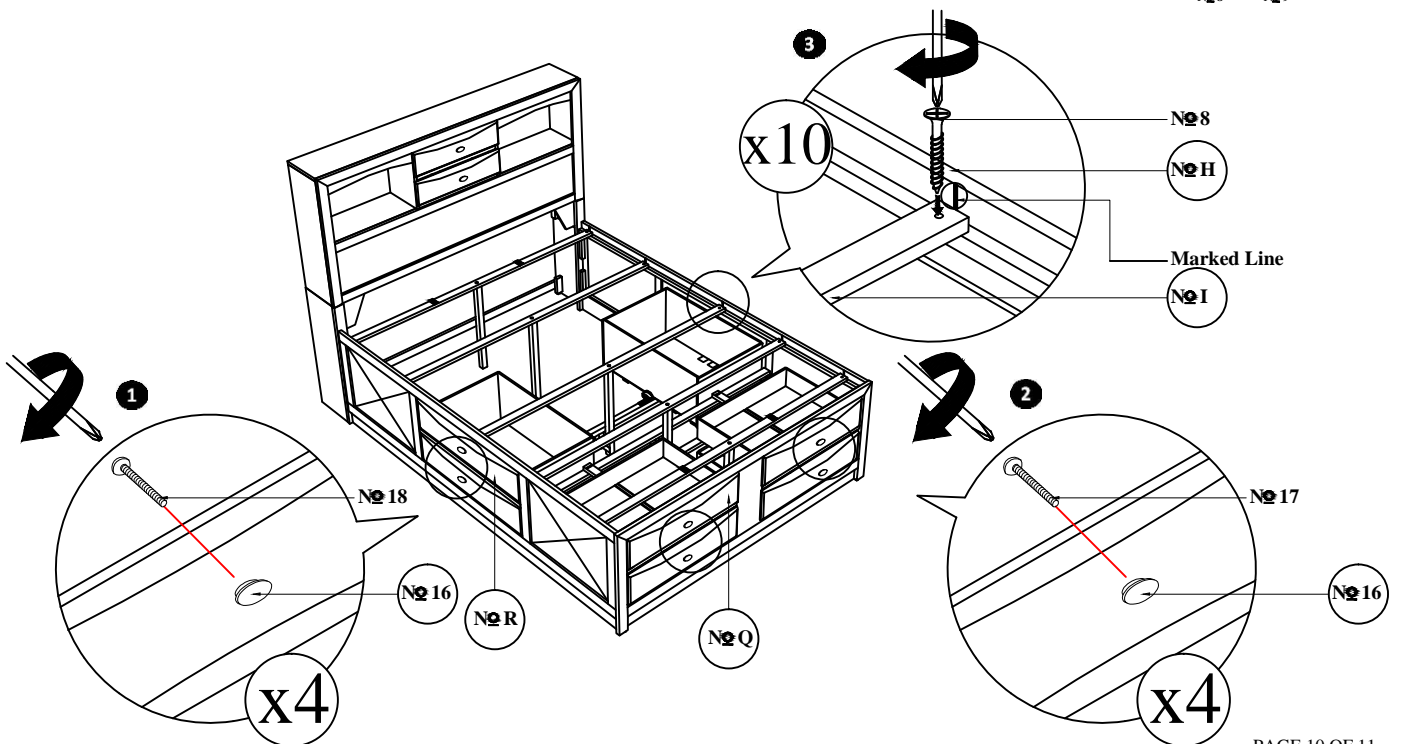
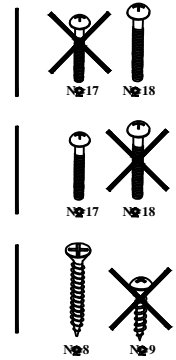
Install the handle (16) in the front of drawer (R). Tighten the Handle Screw (18) using Screw Driver. (Not included)

Install the Handle (16) in front of drawer (Q). Tighten the Handle Screw (17) using Screw Driver. (Not included)

Then Push together the Slide Rail (H) with Bed Slat (I) & tighten with CSK Screw (8) by using Screw Driver. (Make sure the center of Bed Slat (I) is aligned with the marked line as shown).

Box 2 : № 8

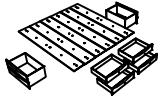
Box 3 : № 16 + № 17 + № 18



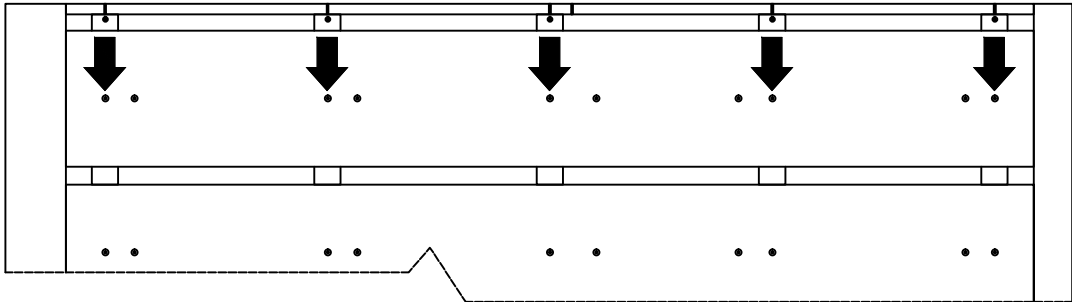
C

STEP
19

Attention! Screw on this markings on concealed panel slat (K).



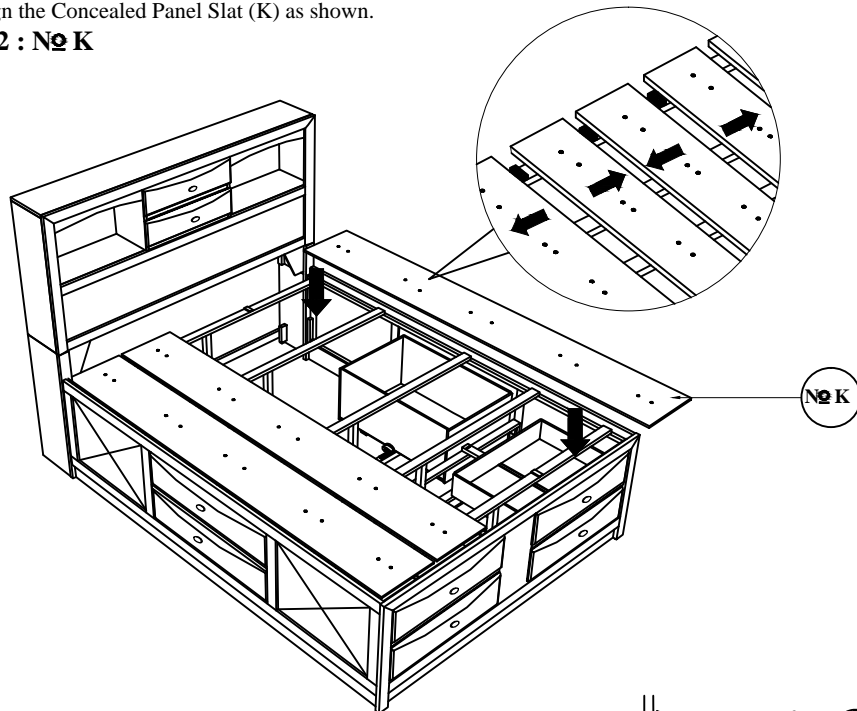
Conceal
Panel & Drawer
Assembly
Installation



STEP
20

Realign the Concealed Panel Slat (K) as shown.

Box 2 : № K



STEP
21

Attach Concealed Panel (K) over the Bed Slat (I) using Panhead Screw (9) and tighten with Screw Driver. (Not included)

Box 2 : № 9

