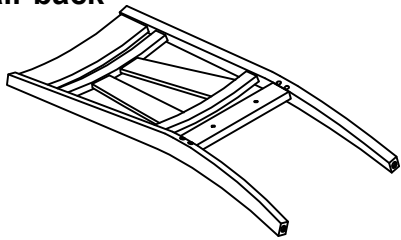


ASSEMBLY INSTRUCTIONS

Description: Dining Chair

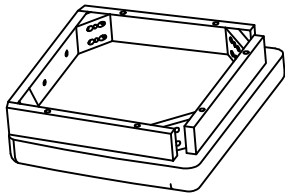
PARTS LIST

A Chair back



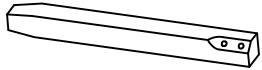
1 pc

B Seat Frame



1pc

C Front legs



2pcs

HARDWARE LIST

1.Short bolt



1/4" x 40mm(3 pc)

2.Long bolt



1/4" x 60mm(4 pcs)

3.Long bolt



1/4" x 75mm(4 pcs)

4.Spring washer



1/4" x 13mm(11 pcs)

5.Flat washer



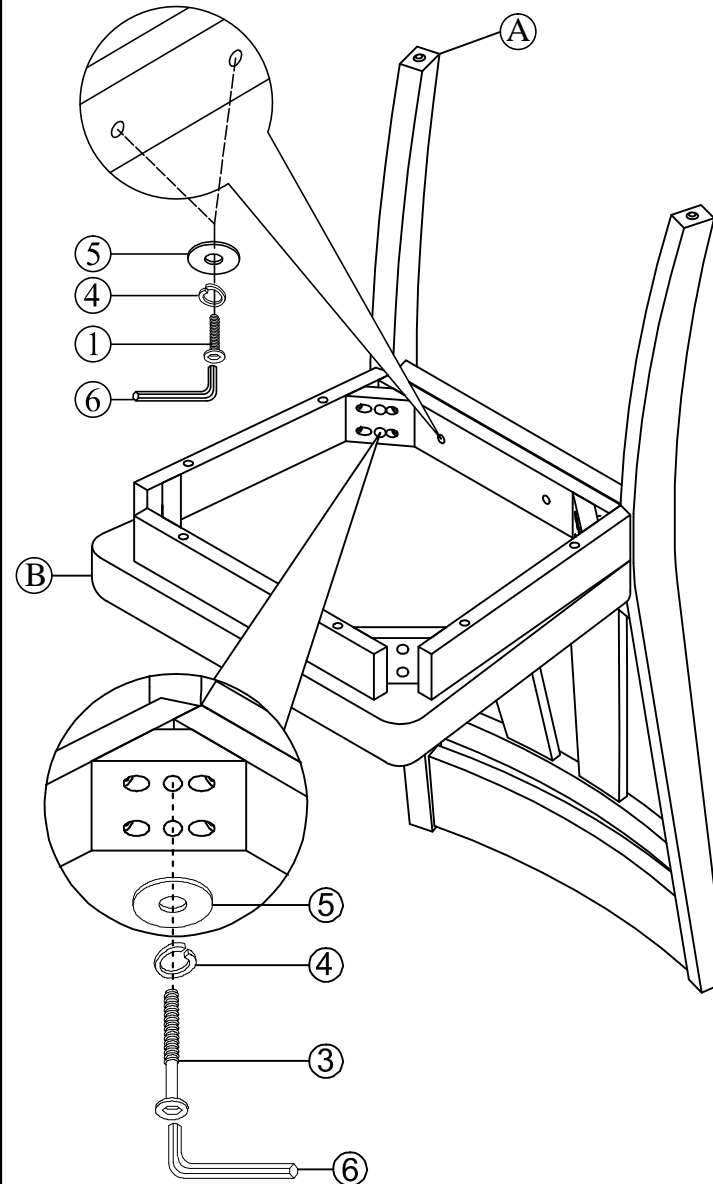
1/4" x 19mm(11 pcs)

6.Allen key



4mm(1 pc)

Step. 1



Step. 2

