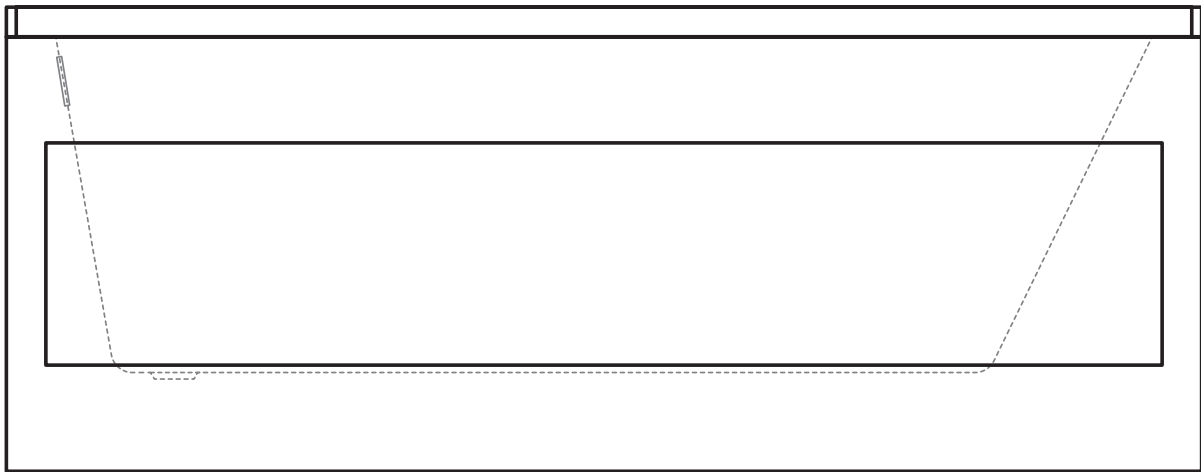


SKIRTED BATHTUB INSTALLATION GUIDE



Thank you for choosing Valley Acrylic Products. This installation manual provides general information on the installation of our products.

DO NOT lift or carry your unit by the grab bar. If your unit is equipped with a whirlpool system, it is very important NOT to carry it by the whirlpool piping.

BEFORE YOU BEGIN

- Read the instructions carefully before beginning the installation.
- Consult local building codes to make sure the installation complies with standards.
- Remove the unit from its packaging. Before disposing, packaging and taking unit from your sales person, inspect the unit to make sure it is in good shape.
- Should inspection reveal any damage or defect in the finish, Contact Us. The warranty does not cover damages or defects in the finish once the unit has been installed. Valley's responsibility for shipping damages ceases upon delivery of the product in good order to the carrier. All complaints regarding damage due to transport must be made directly to the carrier.
- It is recommended that you place the unit in the bathroom before you start.
- To protect the unit during installation, we suggest that you lay a piece of flat cardboard on the bottom and a moving blanket.
- Do not remove the polyethylene protective film until installation is complete to gain maximum protection. Do remove it where two surfaces will be in permanent contact.
- The floor must be level and strong enough to support the weight of the water-filled bathtub.
- Verify that all dimensions on the plan are the same, as the ones of the unit.
- If your bathtub is equipped with both a whirlpool and an air system, space must be made for the air system's blower either inside or outside the alcove or island. If the blower cannot be installed under the bathtub, it can be located up to 9 feet away.
- Make sure an access panel - 30" x 15" (750 mm x 400 mm) must be located near the whirlpool pump and/or the air system blower to allow easy servicing.
- Access must be provided for each product component (water heater, light, nozzle, electronic and air control, faucet).
- Whirlpool and/or air systems must be connected before final installation (see the installation and user's guide for whirlpool and air systems).



IMPORTANT INFORMATION

STRUCTURE INSTALLATION

DO NOT build the surrounding structure before receiving your unit. Structure measurements should be verified against the unit to ensure a proper fit.

PLUMBING

Make sure you install all plumbing and drainage before securing the unit. It is always recommended to have a Red Seal certified plumber do the plumbing installations.

Before drilling a hole in the floor for the drainpipe, make sure there are no hidden elements underneath (pipes, floor joists, heating ducts, electrical wires, etc).

LEVELING AND SUPPORT

The unit must be installed perfectly leveled. Level the unit using our adjustable 2 x 4 legs to the floor under the wooden base or using mortar cement. All the legs must be in contact with the floor. If the 2 x 4 legs does not permit it, it is imperative to add a wood edge to support the bath or the shower.

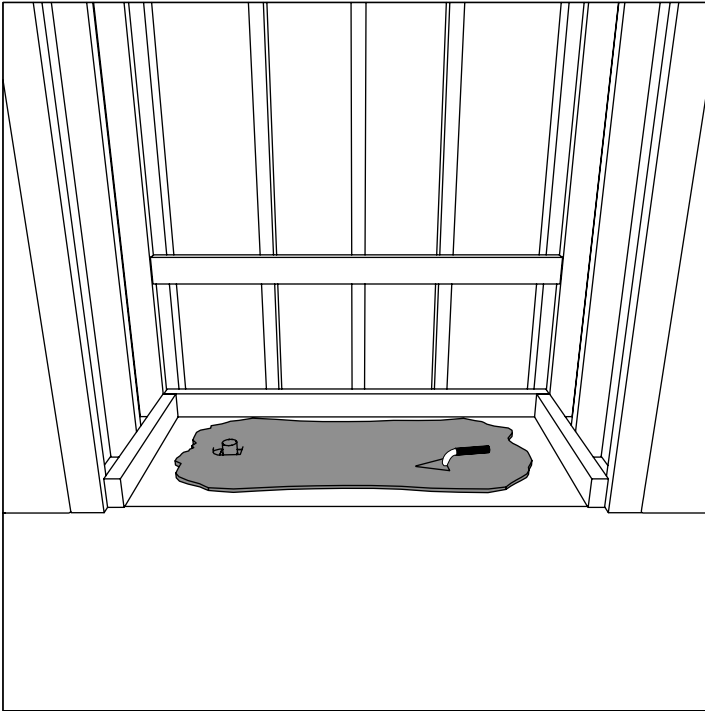
To provide additional support, improve soundproofing and facilitate leveling, it is recommended that a layer of mortar be applied to the base of the bathtub legs, and covered with a 1/16" (2 mm) polyethylene sheet. The layer should be thick enough to facilitate the leveling of the unit without raising it. Once the unit is in position, ensure it is level in both directions for proper draining.

Leveling must be done under the wood legs located beneath the unit. Do not level directly behind or under the flange at the front of the unit.

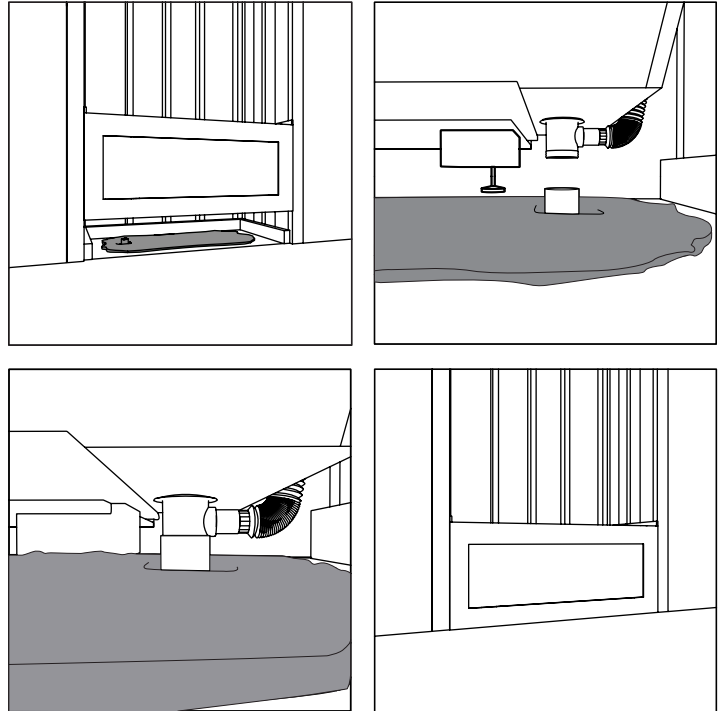
REQUIRED TOOLS

- Measuring Tape.
- Pencil.
- 3/16" (5mm) and 1/8" (3mm) drill bits.
- Hole saw.
- Electric drill.
- Screwdriver.
- Pliers.
- Level.
- Safety glasses.
- Water-resistant glue.
- Silicone sealant.
- Wood wedges.
- 2" x 2" x 3" wood blocks (51mm x 51mm x 76mm)
- No 8 x 1 1/4" screws (4.2mm x 32mm) Flat or Phillips head.
- 3/4" x 1" wood stud (19mm x 25mm) for alcove installation.
- Mortar

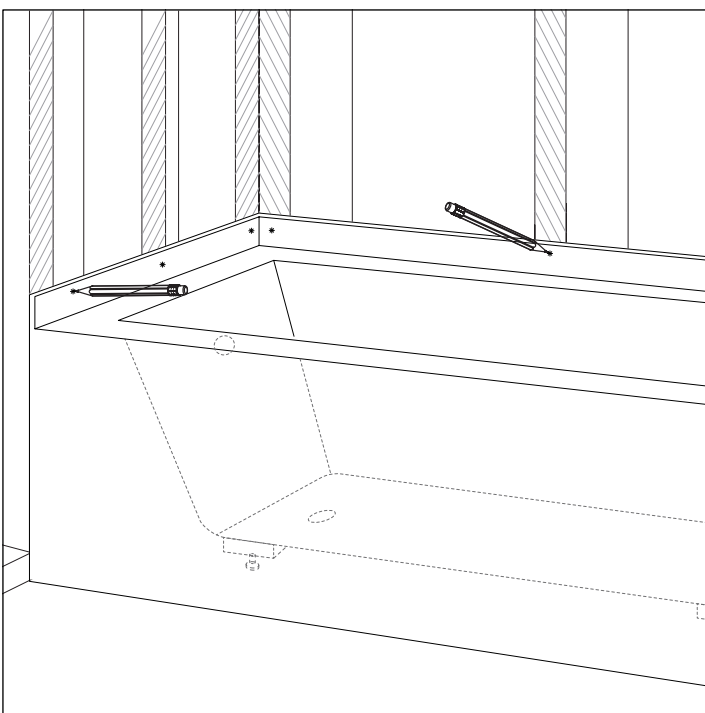
01 Apply Mortar to the floor surface



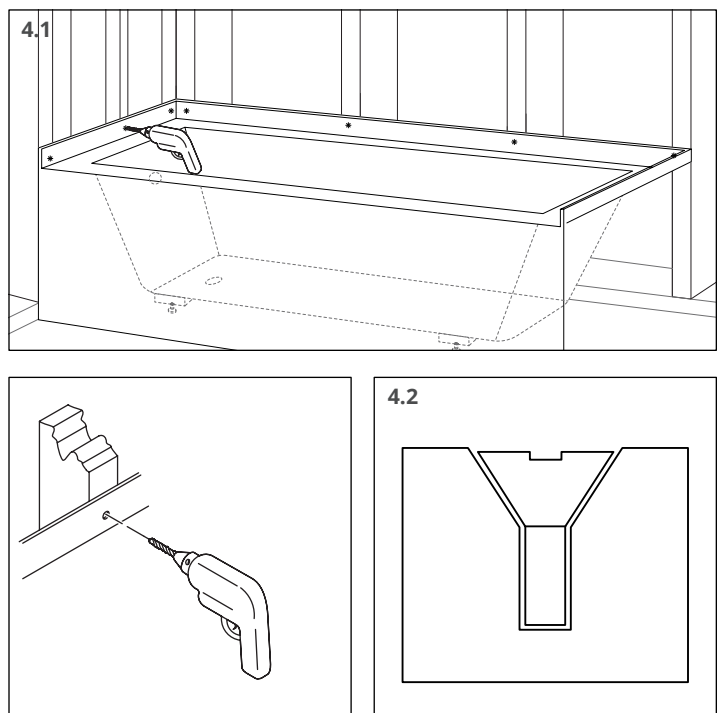
02 Lift the tub into position. Make sure to align the drain with the pipe. Adjust bathtub legs for leveling purposes.



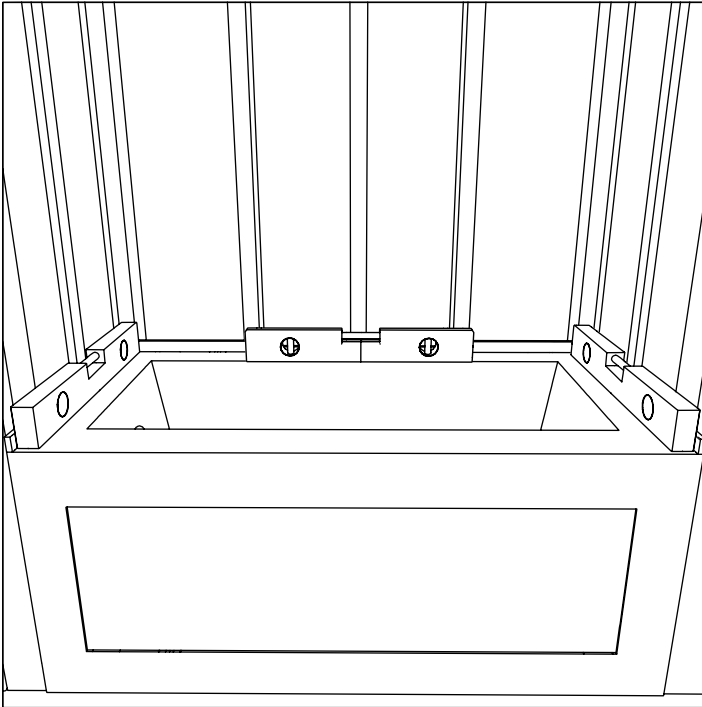
03 Using a pencil, mark the bathtub flange where the wall studs are.



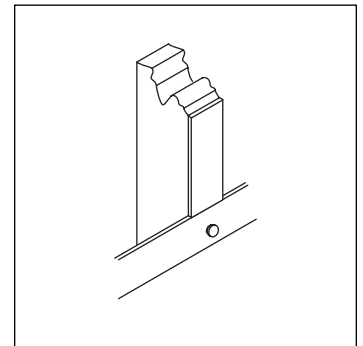
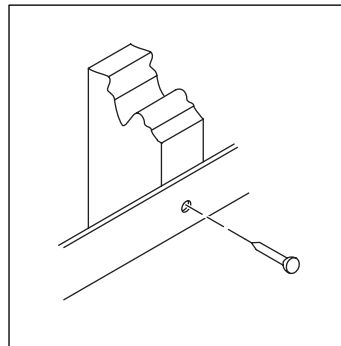
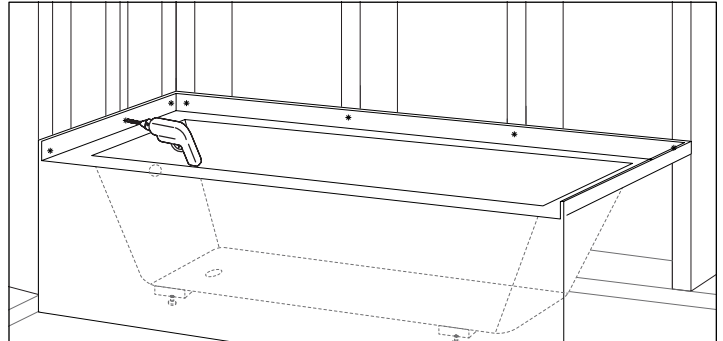
04 4.1 Pre-Drill small pilot holes through the flange at the studs.
4.2 Countersink the hole to allow a flathead screw to seat flush.



05 Level all sides of the tub.



06 Securely screw the tub into frame.



MAINTENANCE

- For daily cleaning, use hot soapy water and vinegar.
- For acrylic surfaces, occasional use of a special acrylic surface cleaner will add luster and protect the finish.
- Joint compound: Use a plastic or wood spatula covered with a damp cloth. Do not use a metal blade or a metal brush. If a rubber mat is used, it must be removed immediately after each use.
- **Do not** use abrasive cleaners, scrapers, metal brushes, or any items or products that could scratch or dull the surface.
- Ignoring this recommendation will cause damage not covered by the warranty.

WARRANTY

Valley Acrylic offers the following express limited warranties on its products. These warranties extend only to the original owner/end-user for personal household use and start from the manufacturing date of the unit. For commercial uses, additional limitations apply.

This limited warranty, starting on the original purchase date, is only offered to the original purchaser who acquires the product directly from authorized Valley dealers. This limited warranty does not apply to cases in which a product was incorrectly installed, nor to damage due to negligence, misuse, thermal shocks, cigarette burn, fire, natural disasters or other accidents

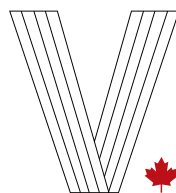
Valley Acrylic's skirted, drop-in bathtubs and shower bases have a limited warranty for residential use for a period of **20 years** from the original purchase date, against any failure from improper manufacturing defects.

The warranty does not extend to:

- damage caused by cleaning, maintenance, or installation performed other than strictly in accordance with the information contained in the Instructions;
- damage caused by the use of strong chemicals;
- gloss reduction, scratching, or staining of the finish over time due to water impurities or atmospheric conditions;
- damage due to installation error, product neglect, misuse, or abuse, accident, or negligence, whether caused by the purchaser, a contractor, or a service provider, or any other cause beyond the control of Valley.

The company will replace or repair the defective product subject to the following conditions:

- Claim is made in writing to head office within 10 days of the problem being apparent;
- The product has been used in the manner that it was intended, this protection does not apply to any products that have been misused in any way;
- The product must have been installed and cared for in line with our instructions



VALLEY[®]

...you dream it, we create it

Congratulations you are now a part of the Valley Acrylic Family, and an owner of the best quality sanitation products in the country.