

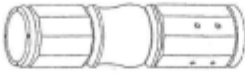







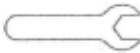



MODEL: Double Drop Leaf Table

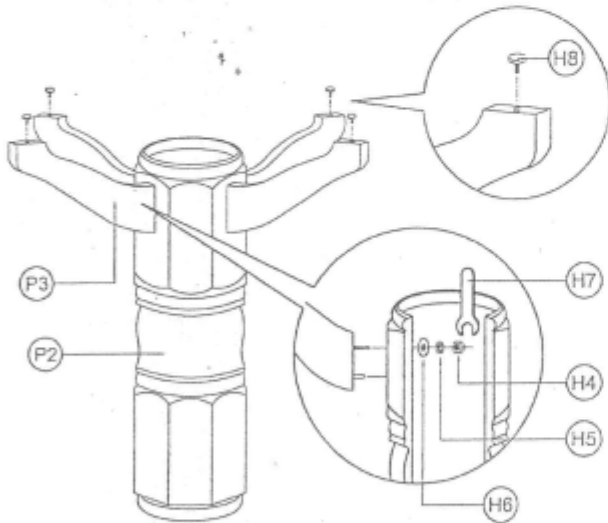


Product Complete

| No. | Parts List | Qty. | No. | Hardware List | Qty. |
|-----|----------------------------------------------------------------------------------------------------|--------|-----|--------------------------------------------------------------------------------------------------------------|--------|
| P1. |  Table Top | 1 pc. | H1. |  Allen Key | 1 pc. |
| P2. |  Pedestal | 1 pc. | H2. |  M6 x 40 JCBC Screw | 4 pcs. |
| P3. |  Table Leg | 4 pcs. | H3. |  M4 x 32 CSK Screw | 8 pcs. |
| P4. |  Cross Support | 1 pc. | H4. |  5/16" Hex Nut | 4 pcs. |
| | | | H5. |  Spring Washer | 4 pcs. |
| | | | H6. |  Flat Washer | 4 pcs. |
| | | | H7. |  Spanner | 1 pcs. |
| | | | H8. |  Adjuster | 4 pcs. |

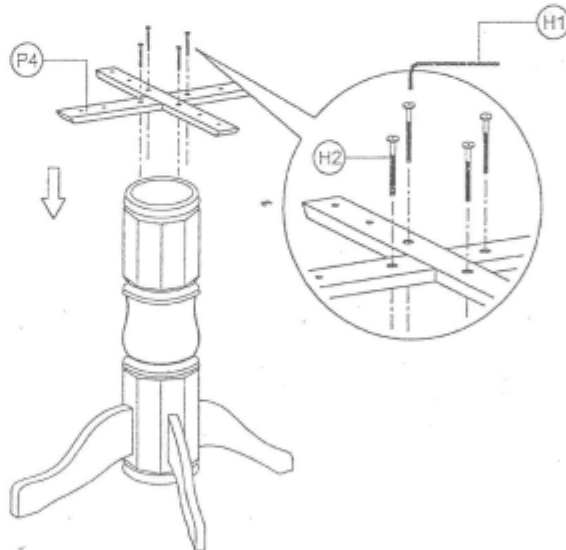
STEP 1

Turn the Pedestal (P2) upside down, attach Table Legs (P3) by Hanger Bolts through pre-drilled holes in Pedestal. Secure it using Flat Washer (H6), Spring Washer (H5) and Hex-Nut (H4). Tighten it with Spanner (H7). Insert the Adjuster (H8) to the bottom of Table Leg (P3).



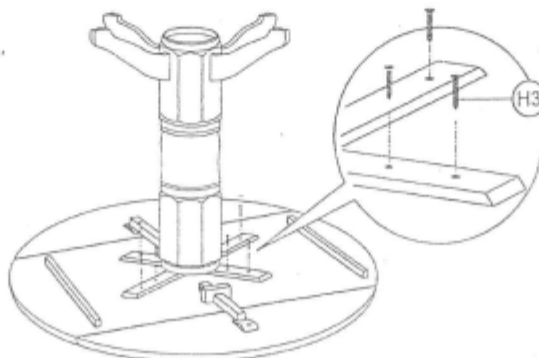
STEP 2

Attach Cross Support (P4) to Pedestal (P2). Secure it using JCBC Screw (H2). Tighten it with Allen Key (H1).



STEP 3

Turn the Table Top (P1) upside down on a soft and flat surface to prevent scratches. Attach the assembled base to the Table Top (P1). Secure it by using CSK Screw (H3).



Assembly Instructions - MODEL : Spindle Windsor Chair

| Component List | | |
|----------------|-----------------|------|
| No. | Part | Qty. |
| 1 | Hoop | 1 |
| 2 | Seat | 1 |
| 3 | Spindle "A" | 2 |
| 4 | Spindle "B" | 2 |
| 5 | Spindle "C" | 2 |
| 6 | Leg Frame | 2 |
| 7 | Center Crossbar | 1 |

| Hardware List | | |
|---------------|------|------|
| No. | Part | Qty. |
| A | | 1 |
| B | | 2 |
| C | | 2 |
| D | | 6 |
| E | | 4 |
| F | | 2 |
| G | | 2 |
| H | | 4 |
| I | | 1 |

