

INSTALLATION & MAINTENANCE MANUAL



IP
68



 **RoHS**
COMPLIANT **CE**

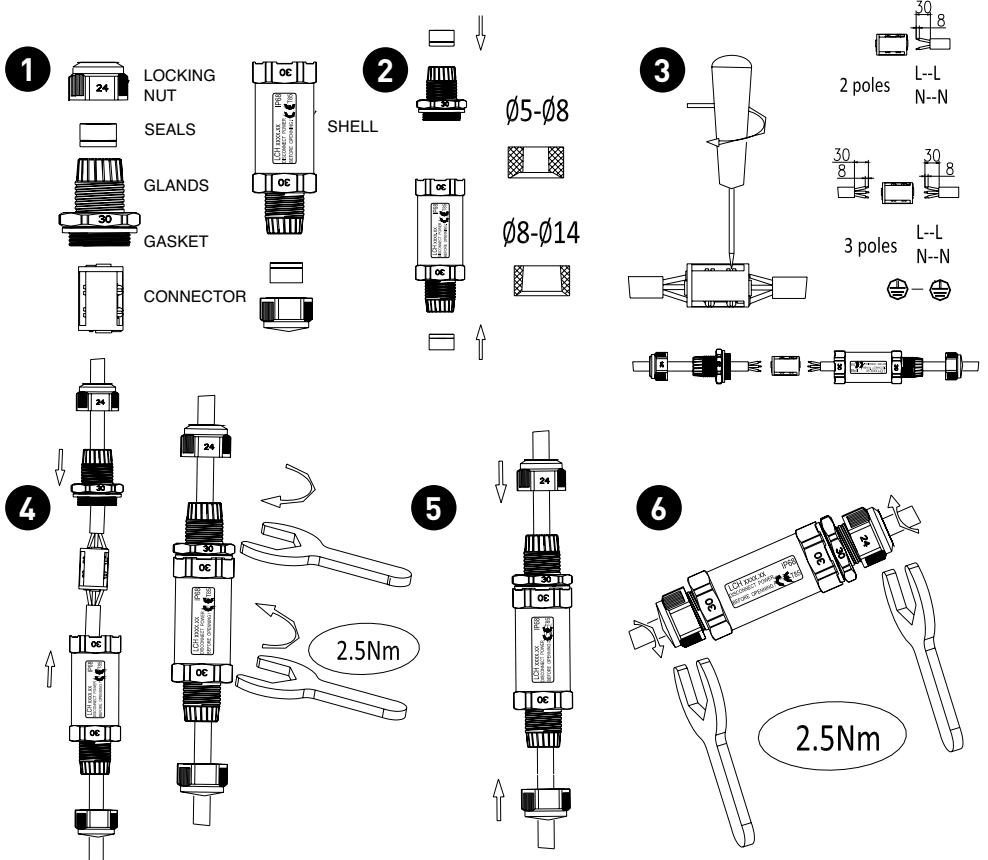
GENERAL INSTRUCTIONS:

These instructions should be read carefully and retained after installation for further reference and maintenance.

SAFETY

- Before installation/maintenance ensure that the supply to the cable to be joined is switched off and the circuit fuses are removed or switched off
- Installation of these products must be carried out by a competent person or by a qualified electrician to the current IEE Wiring and Building Regulations
- Please recycle this unit
- 230V 50Hz
- IP68 (5mtrs max) - IP68
- 3 - Pole screw-fix terminals
- H07RN-F cable – min 0.75mm² 3 core – max 4.00mm² 3 core
- EN50262

INSTALLATION

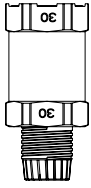


1

Ø5-Ø8



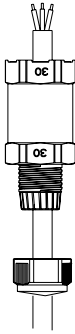
Ø8-Ø14



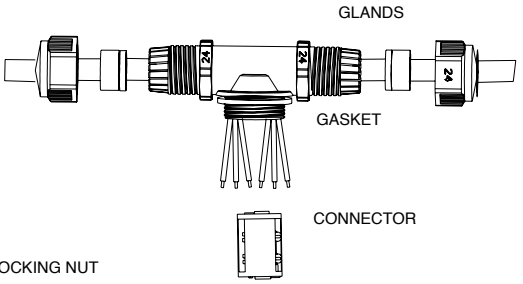
SHELL

SEALS

2



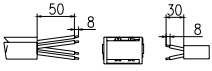
LOCKING NUT



GLANDS

GASKET

CONNECTOR



2 poles

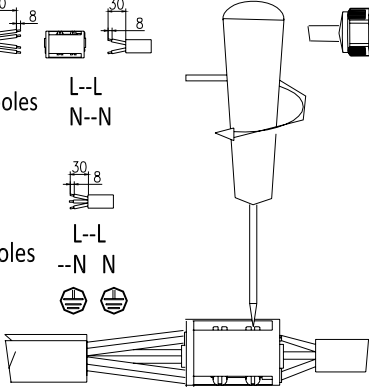
L-L
N-N

3

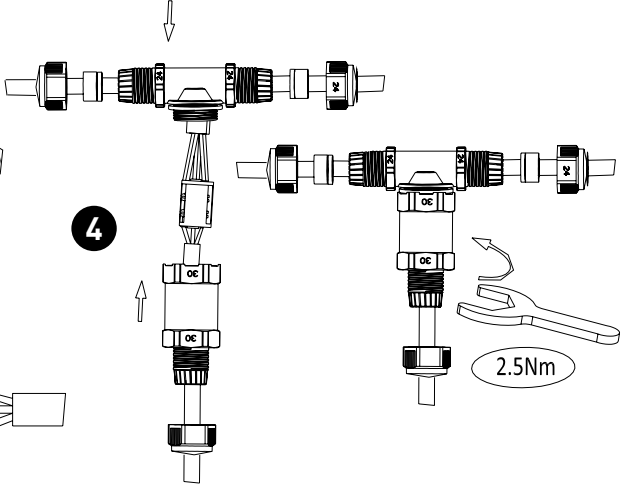
3 poles



L-L
--N N

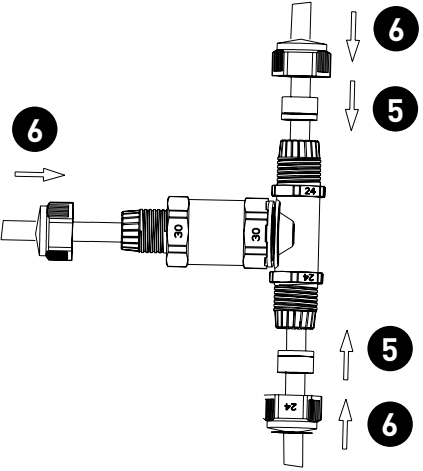


4



2.5Nm

6



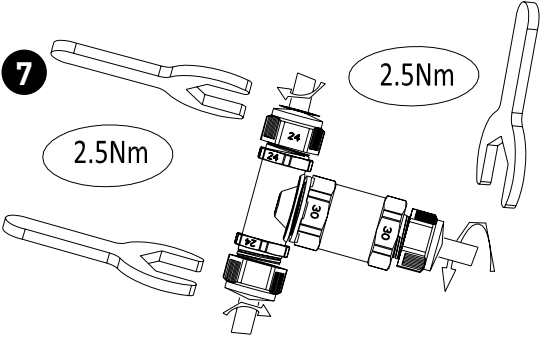
6

5

5

6

7



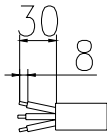
2.5Nm

2.5Nm

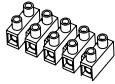
Ø8-Ø14



3 poles



Ø5-Ø8



5 poles

