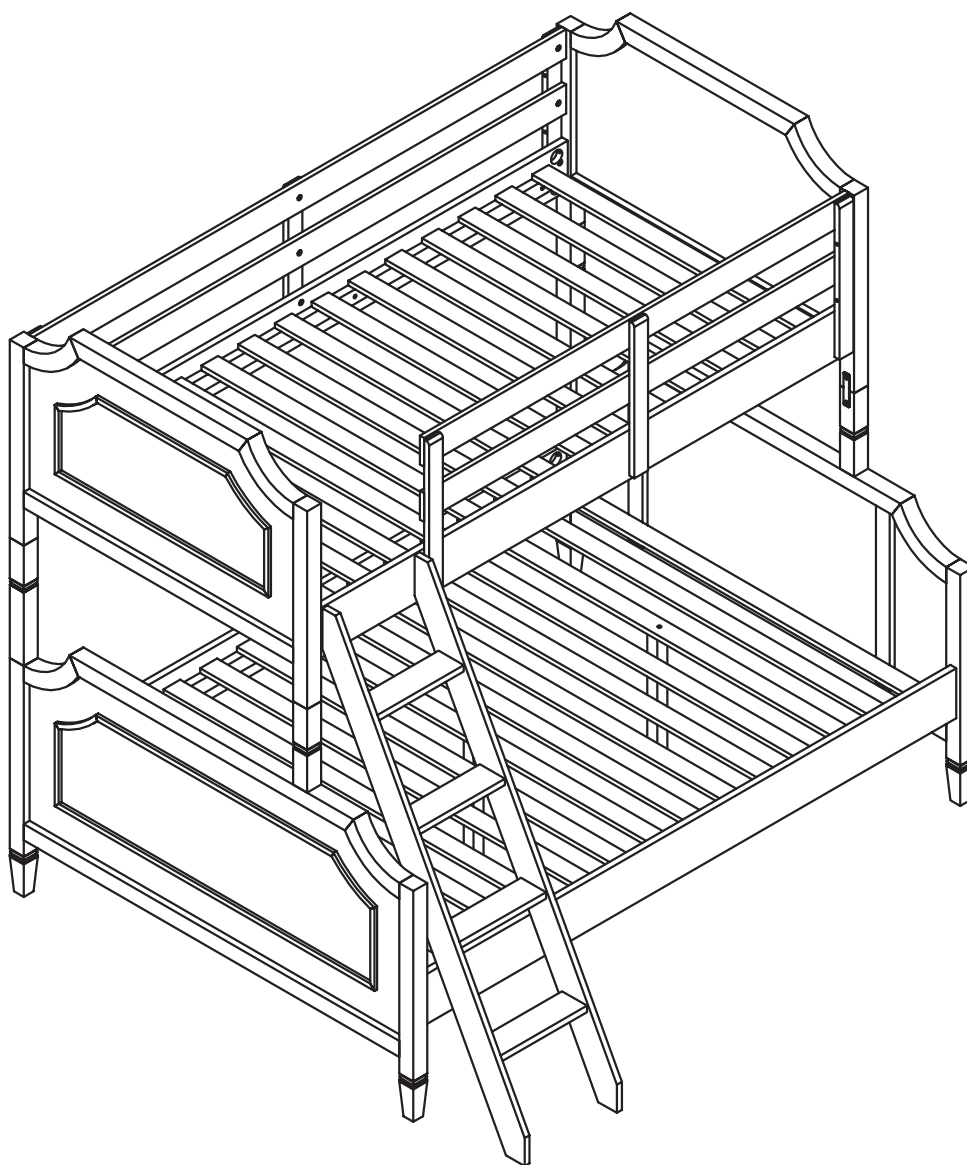


TWIN OVER FULL BUNK BED

Assembly Manual



**THIS ASSEMBLY MANUAL CONTAINS IMPORTANT SAFETY INFORMATION.
PLEASE READ AND KEEP FOR FUTURE REFERENCE.**



WARNING:

Failure to follow these warning and assembly instructions could result in serious injury or death. To help prevent serious or fatal injuries from entrapment or falls:

- Read all instructions before assembling bunk bed.
- Before each usage or assembly, inspect bunk bed for damaged hardware, loose joints, missing parts or sharp edges. DO NOT use bunk bed if any parts are missing or broken.
- DO NOT use substitute parts. Contact us for replacement parts and instructional literature if needed.
- Follow the information on the warnings appearing on the upper bunk end structure and on the carton. DO NOT REMOVE WARNING LABEL FROM BED.
- Always use the recommended size mattress or mattress support, or both, to help prevent the likelihood of entrapment or falls.
- Ensure thickness of mattress on upper bunk does not exceed 9 inches and the surface of mattress must be at least 5 inches (127 mm) below the upper edge of guardrails.
- Only use the 9" thickness mattress on the lower bunk.
- Ensure both upper and lower bunk are assembled to the highest position when using the product as a bunk bed.
- Use only mattress which is 74" - 75" long and 37.5" - 38.5" wide on upper bunk, and mattress which is 74" - 75" long and 52.5" - 53.5" wide on lower bunk.
- Do not allow children under 6 years of age to use the upper bunk.
- Periodically check and ensure that the guardrail, ladder, and other components are in their proper position, free from damage, and that all connectors are tight.
- Do not allow horseplay on or under the bed and prohibit jumping on the bed.
- Prohibit more than one person on the upper bunk.
- Always use the ladder for entering and leaving the upper bunk.
- Use of a night light may provide added safety precaution for a child using the upper bunk.
- Always use guardrails on both long sides of the upper bunk. If the bunk bed will be placed next to the wall, the guardrail that runs the full length of the bed should be placed against the wall to prevent entrapment between the bed and wall.
- The use of water or sleep flotation mattresses is prohibited.
- If refinishing, use a non-toxic finish specified for children's products.
STRANGULATION HAZARD· Never attach or hang items to any part of the bunk bed that are not designed for use with the bed; for example, but not limited to, hooks, belts and jump ropes.
- This bunk bed meets the requirements of ASTM F1427-13
- KEEP THESE INSTRUCTIONS FOR FUTURE REFERENCE.

QUALITY GUARANTEE

Important Safety Information

- Please read all instructions carefully before assembling this furniture.
- For your safety, assembly by two or more adults is strongly recommended.
- Use only vendor-supplied hardware to assemble this item. Using unauthorized hardware could jeopardize the structural integrity of the item.
- Hardware may loosen overtime. Periodically check that all connections are tight.

Before Assembly

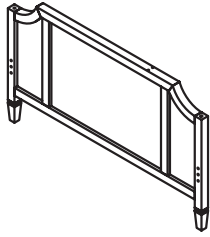
- Remove all parts and hardware from the box. Place all items on a carpeted or scratch-free work surface, as this will avoid damaging parts during assembly.
- The shipping box provides an ideal work surface.
- To avoid accidentally discarding small parts or hardware, do not dispose of any packaging or contents of the shipping carton until assembly is complete.
- Use the parts and hardware lists below to identify and separate each of the pieces included.
- The use of power tools for assembly is not recommended. Power tools can damage the hardware and/or split the wood.
- NOTE: Do not fully tighten all bolts until all parts are in place. Failure to follow these instructions may cause the bolts to misalign during assembly.

Care and Cleaning

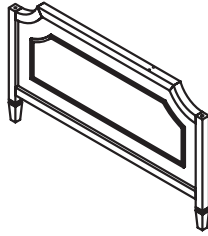
- Dust often using a clean, soft, dry and lint-free cloth.
- Blot spills immediately and wipe with a clean, damp cloth.
- We do not recommend the use of chemical cleaners, abrasives or furniture polish on our lacquered finish.
- Hardware may loosen over time. Periodically check to make sure all connections are tight. Re-tighten if necessary.

PARTS:

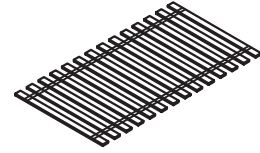
Box 1



A. Lower Headboard
1x

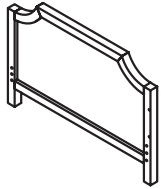


B. Lower Footboard
1x

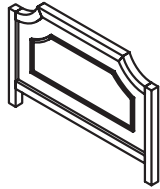


O. Twin Bed Slats
1x

Box 2

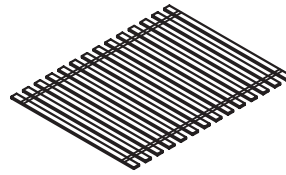


C. Upper Headboard
1x



D. Upper Footboard
1x

Box 3

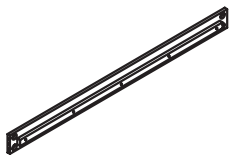


N. Full Bed Slats
1x

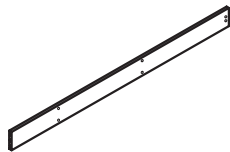


Q. Ladder
1x

Box 4



E. Lower Siderail
2x



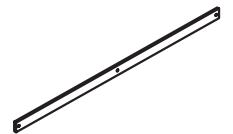
F. Upper Front Siderail
1x



G. Upper Back Siderail
1x



H. Upper Front Guardrail
2x



I. Upper Back Guardrail
2x



J. Guardrail Support
3x



K. Guardrail Center Support
3x



L. Pole Short
2x



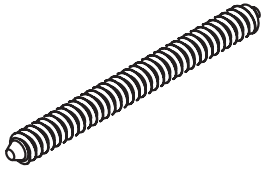
M. Pole Long
2x



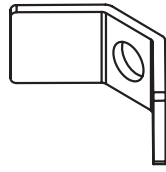
P. Center Leg
3x

HARDWARE

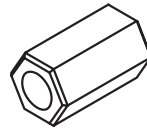
Hardware Pack and Assembly Instructions Located in Box 1



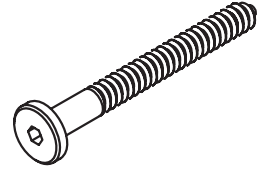
1. Threaded Rod
16x



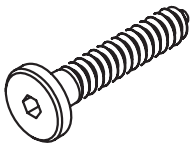
2. Plate
16x



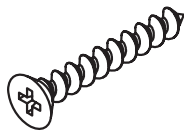
3. Hex Nut
16x



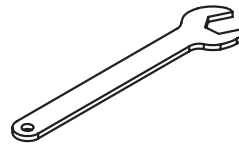
4. Bolt M6x70mm
10x



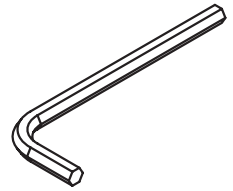
5. Bolt M6x30mm
27x



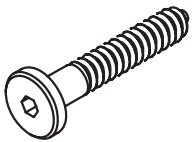
6. Screw
12x



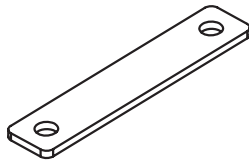
7. Wrench
1x



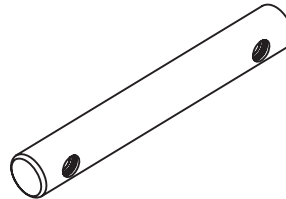
8. Hex Key
1x



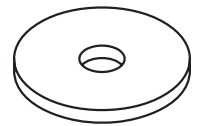
9. Bolt M6x35mm
8x



10. Metal Plate
4x



11. Metal Pin
4x



12. Flat Washer
2x

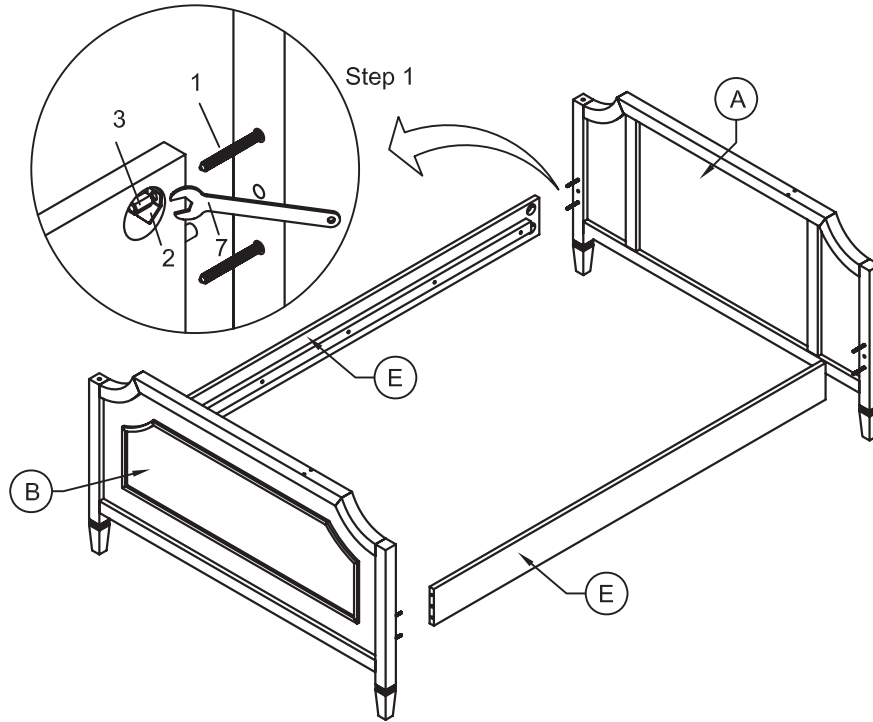
TOOLS REQUIRED (NOT INCLUDED)



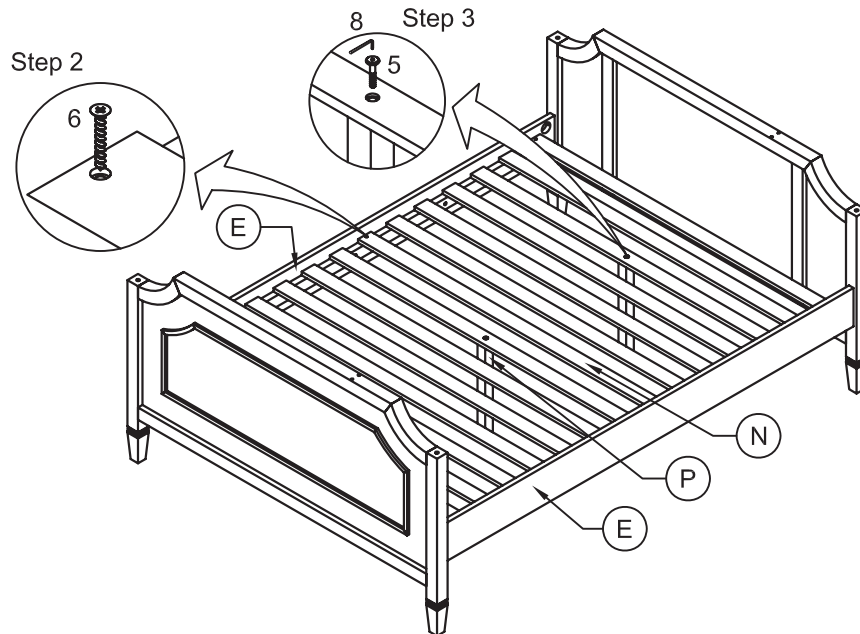
Phillips Head Screw Driver

ASSEMBLY INSTRUCTIONS

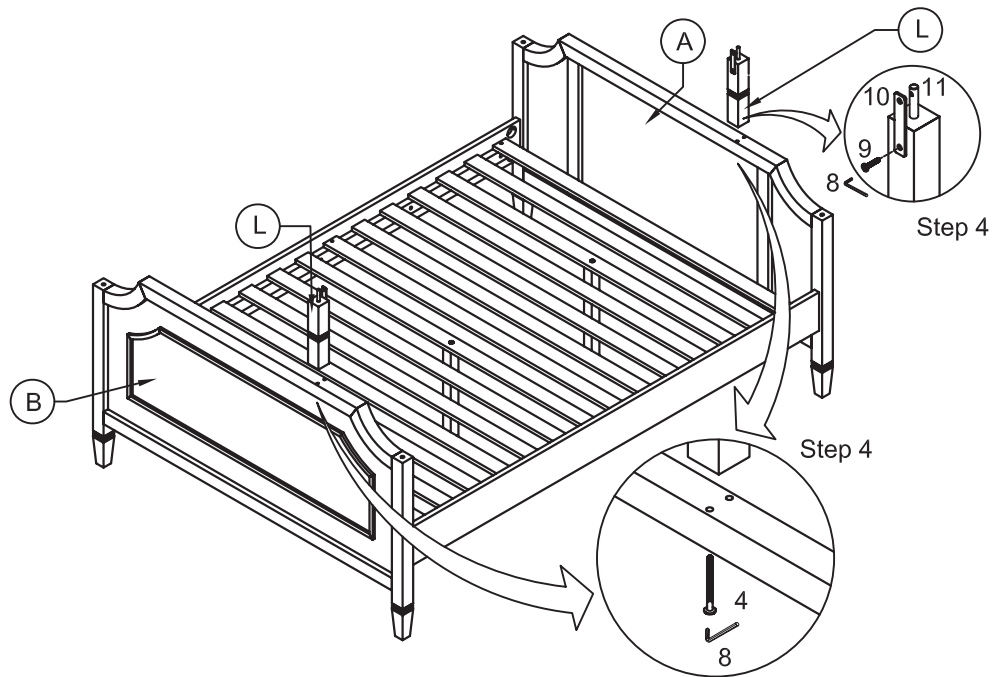
1. Insert Threaded Rod (1) into pre-drilled holes on the post of Lower Headboard (A) and Lower Footboard (B). Attach Lower Siderail (E) to (A & B) by aligning pre-drilled holes with wooden dowels as shown below, then put Plate (2) and Hex Nut (3) using wrench (7).



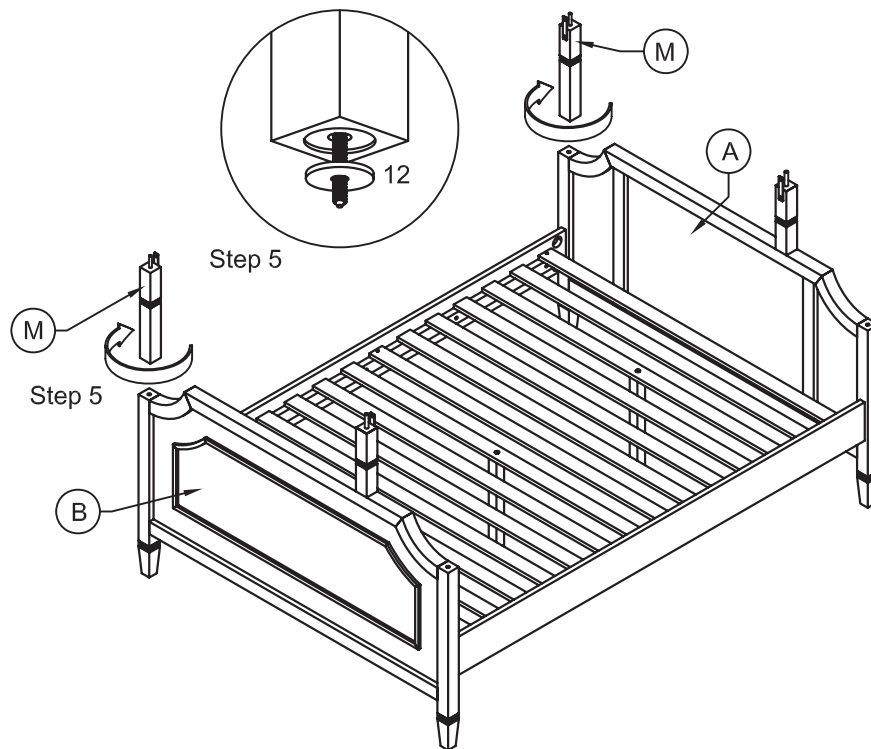
2. Attach Full Bed Slats (N) to Lower Side Rail (E) with Screw (6) using Screw Driver.
3. Attach Center Leg (P) to Full Bed Slats (N) by aligning pre-drilled holes with Bolt (5) use Hex Key (8).



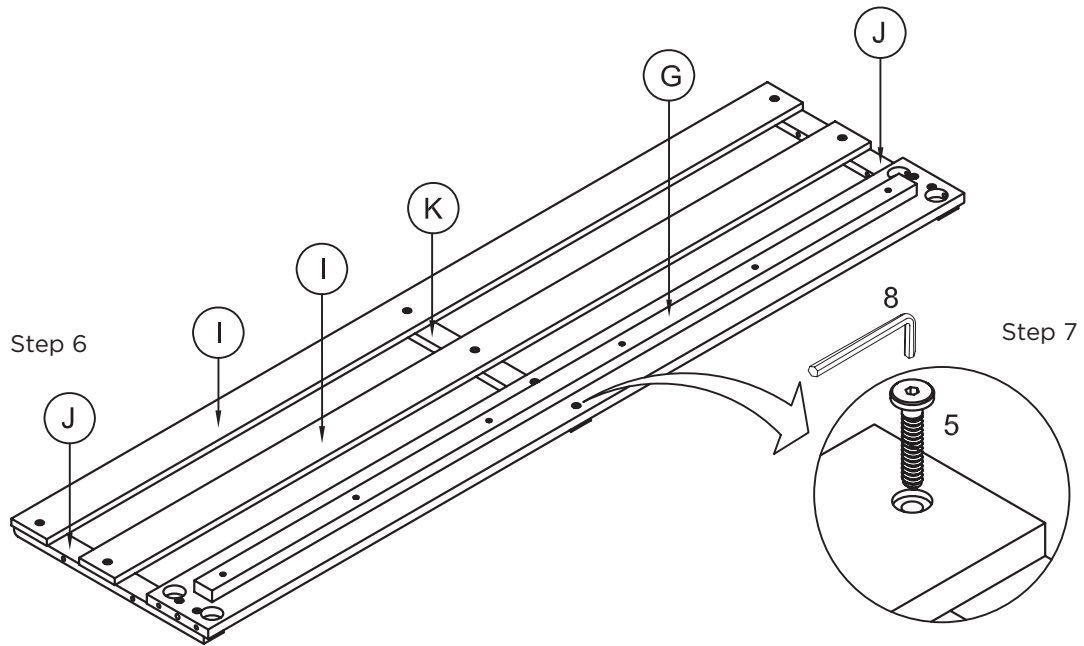
4. Attach Pole Short (L) on the top post Lower Headboard (A) and Lower Footboard (B) by aligning pre-drilled holes with Bolt (4) using Hex Key, then attach Metal Plate (10) and Metal Pin (11) with Bolt (9) to Pole Short (L).



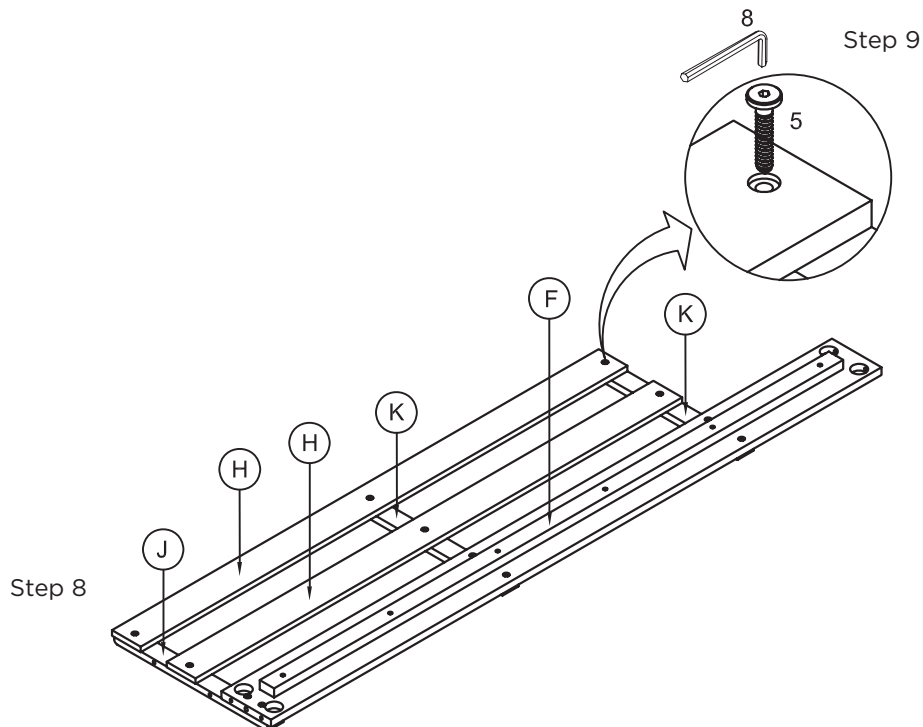
5. Attach Flat Washer (12) below Pole Long (M), then Thread Pole Long (M) on the top post of the Lower Headboard (A) and Lower Footboard (B) until tight.



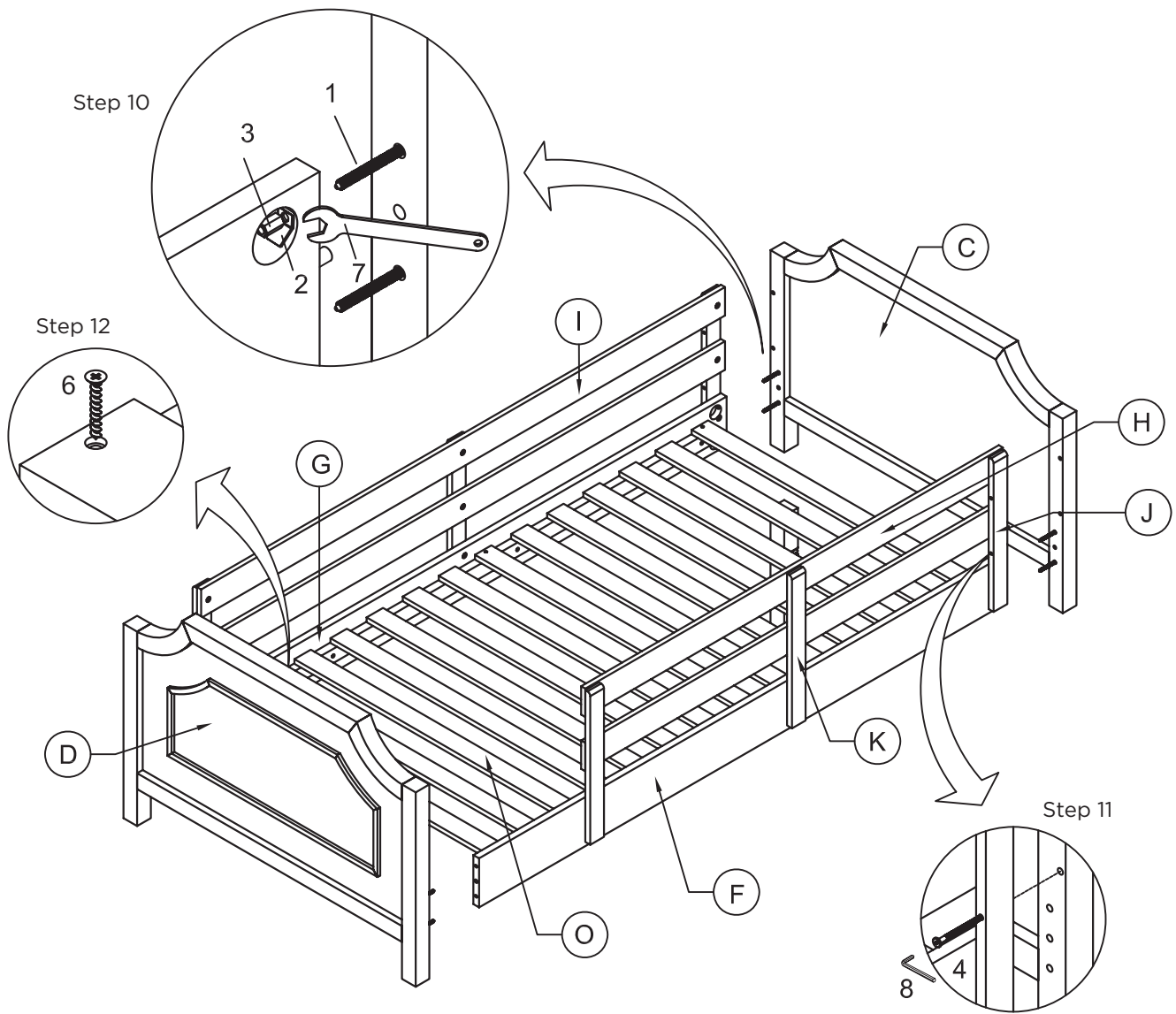
6. Attach Upper Back Guardrail (I) to Guardrail Support (J) and Guardrail Center Support (K) by aligning pre-drilled holes with Bolt (5) using Hex Key (8).
7. Attach Upper Back Siderail (G) to Assembled Upper Back Guardrail (I, J and K) by aligning pre-drilled holes with Bolt (5) using Hex Key (8).



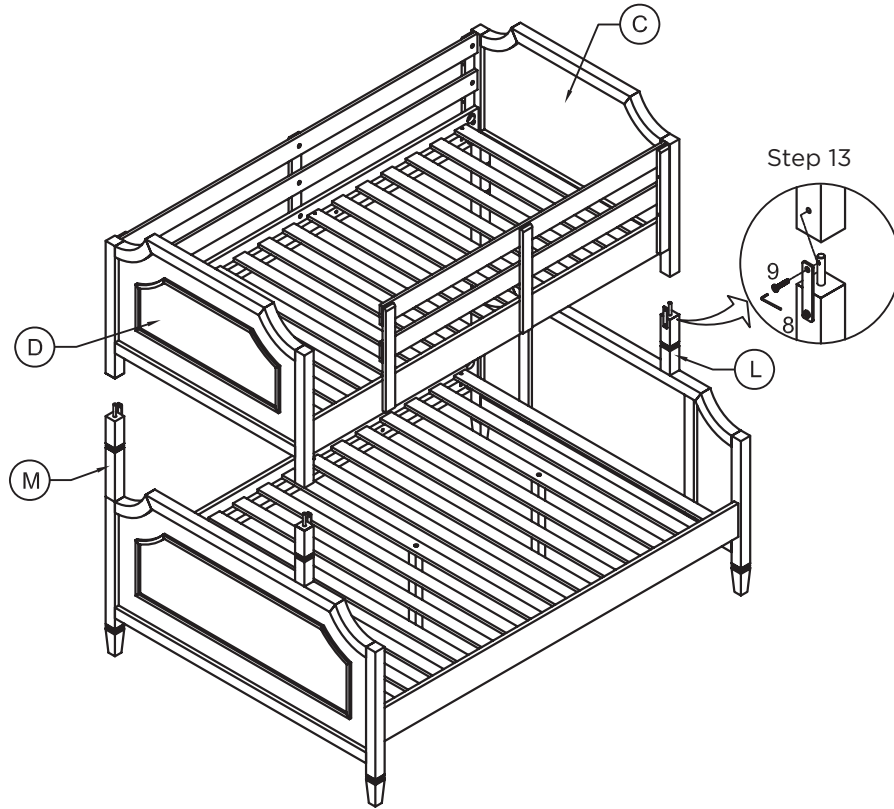
8. Attach Upper Front Guardrail (H) to Guardrail Support (J) and Guardrail Center Support (K) by aligning pre-drilled holes with Bolt (5) using Hex Key (8).
9. Attach Upper Front Siderail (F) to Assembled Upper Front Guardrail (H, J, and K) by aligning pre-drilled holes with Bolt (5) using Hex Key (8).



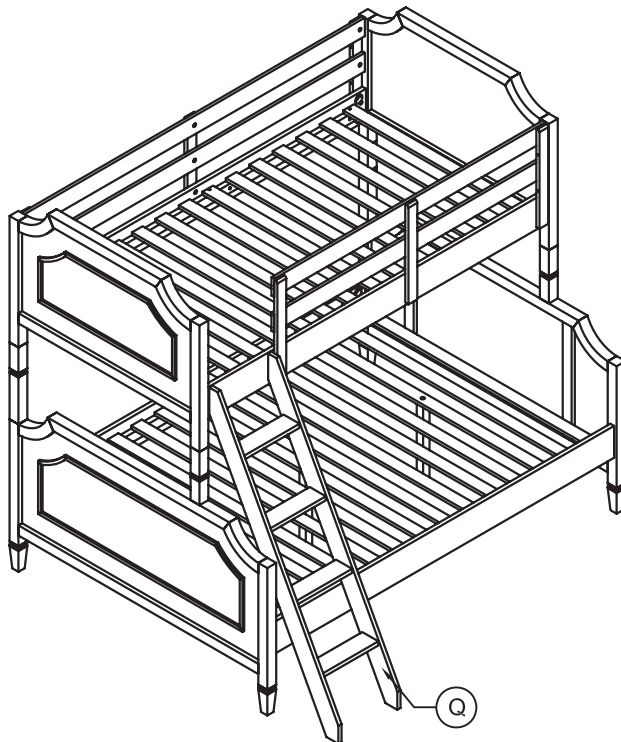
10. Insert Threaded Rod (1) into pre-drilled holes on the post of Upper Headboard (C) and Upper Footboard (D), then attach Assembled Upper Back and Front Siderail to Upper Headboard (C) and Upper Footboard (D) by aligning pre-drilled holes with Plate (2) and Hex Nut (3) using Wrench (7).
11. Attach Guardrail Support to Upper Headboard (C) and Upper Footboard (D) by aligning pre-drilled holes with Bolt (4) using Hex Key (8).
12. Attach Twin Bed Slats (O), to Assembled (F and G) by aligning pre-drilled holes with (6) using Screw Driver.



13. Attach Assembled Upper Bunk Bed to Pole Short (L) and Pole Long (M) with Bolt (9) using Hex Key (8).



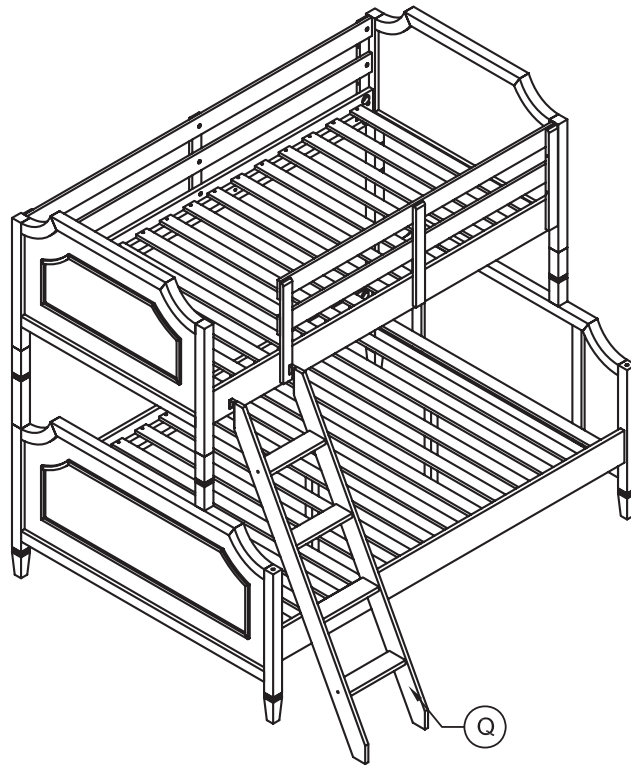
14. Attach Ladder (Q) to Upper Bunk Bed.
15. Assembly is now completed.



16. When setting up the bunkbed as two single beds (1 Full and 1 Twin), look at these below pictures:

A: Full Bed

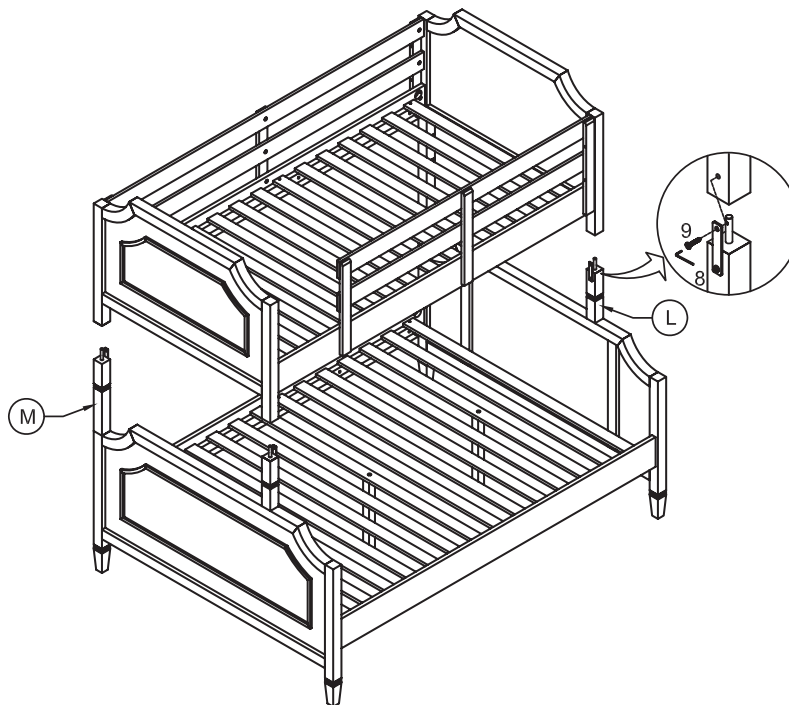
- Remove Ladder (Q) from Assembled Upper Bunk.



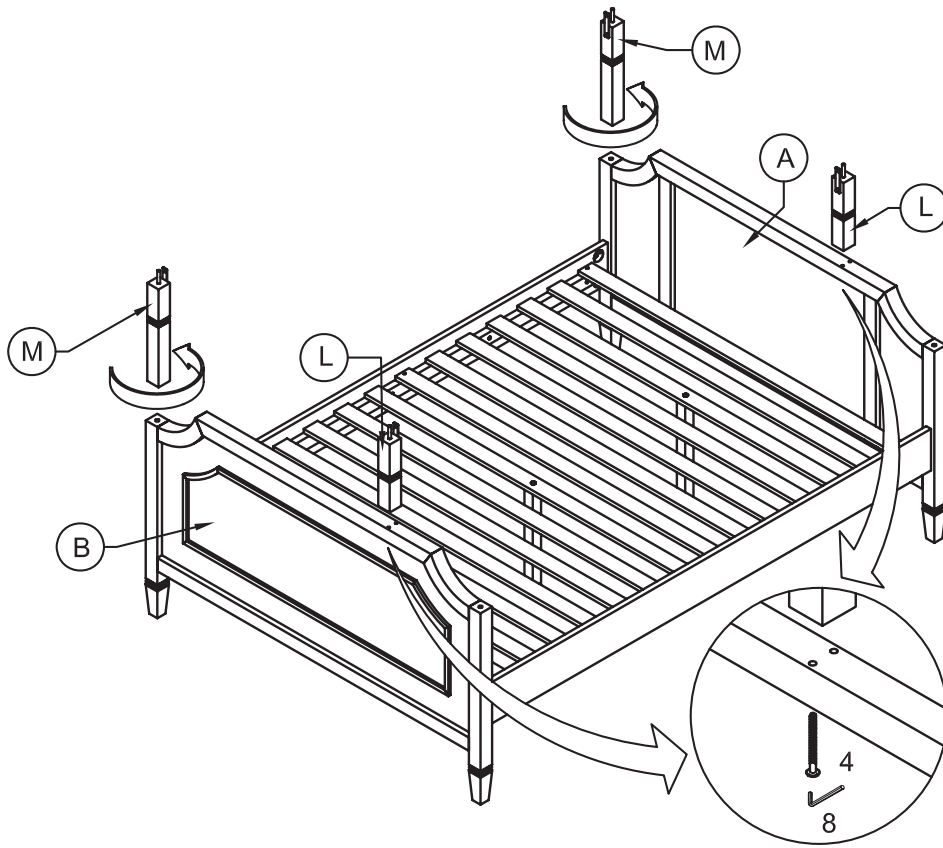
- Unscrew Bolt (9) from Pole Short (L) and Pole Long (M) with Hex Key (8).

- Remove Assembled Upper Bunk from Pole Short (L) and Pole Long (M).

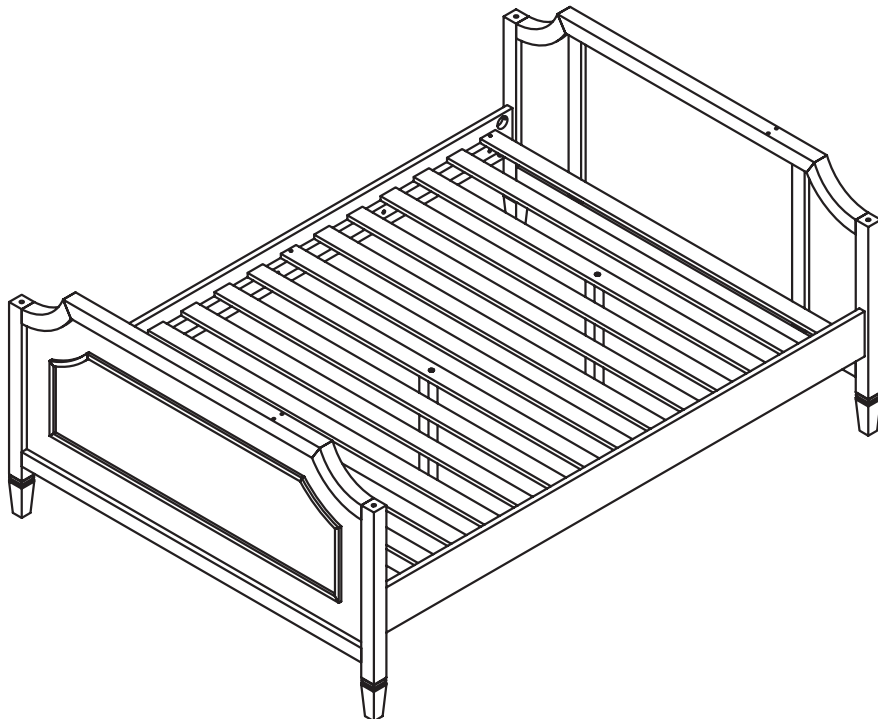
NOTE: Two or more Adults is strongly recommended.



- Turn Pole Long (M) counterclockwise, then release from Lower Headboard (A) and Lower Footboard (B).
- Unscrew Bolt (4) from Pole Short (L) with Hex Key (8).

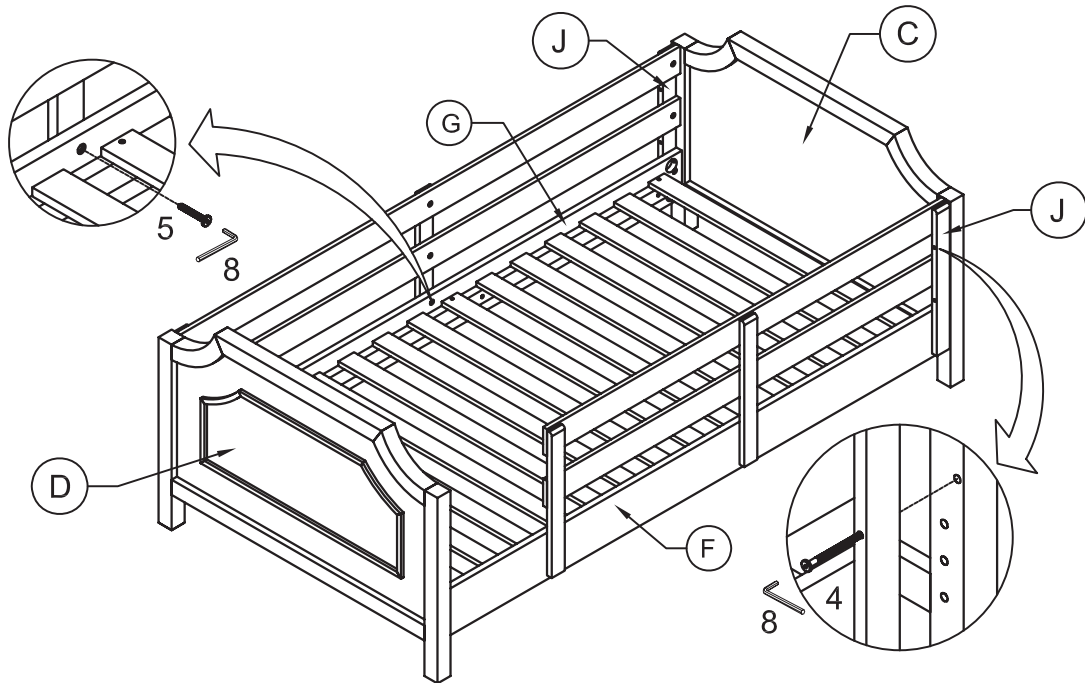


- Full Bed is now completed.



B: Twin Bed

- Remove Assembled Front Guardrail and Assembled Back Guardrail from Upper Back Siderail (G) and Upper Front Siderail (F).
- Remove Guardrail Support (J) from Upper Headboard (D) and Upper Footboard (C).



- Twin Bed is now completed.

