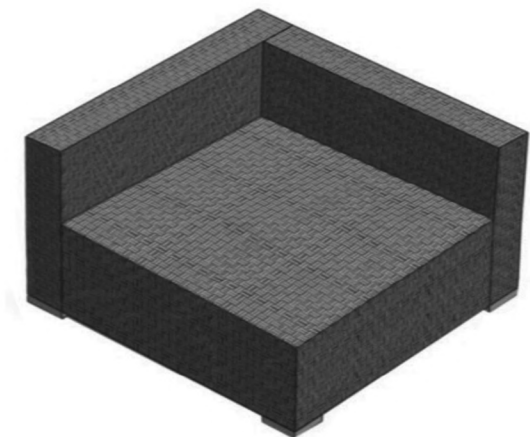




Please read these instructions and warranty information carefully before use and keep them properly for future reference.

## OPERATING INSTRUCTIONS

# Right corner sofa

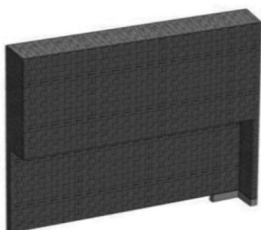


## Part list



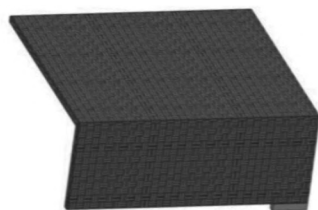
**A1**

1PC



**A2**

1PC



**A3**

1PC



M6\*35mm

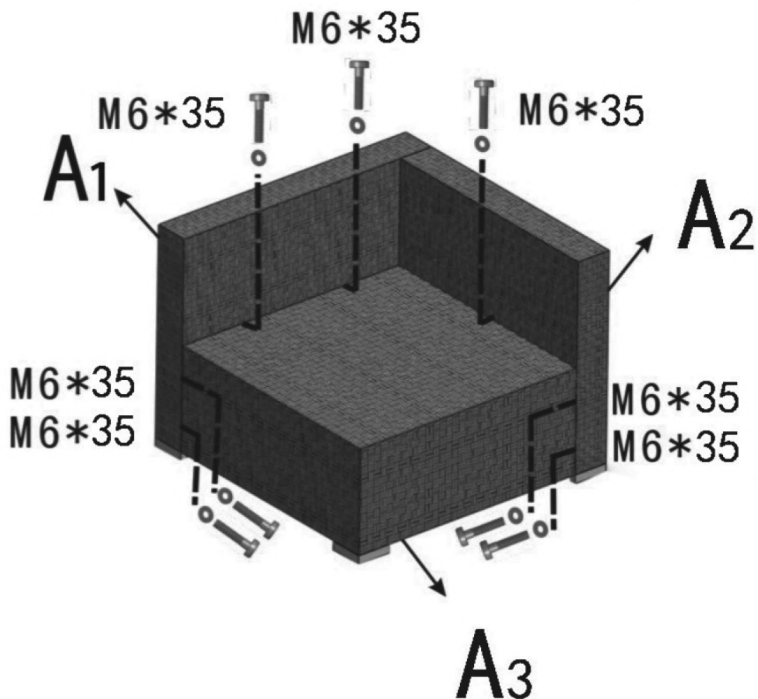
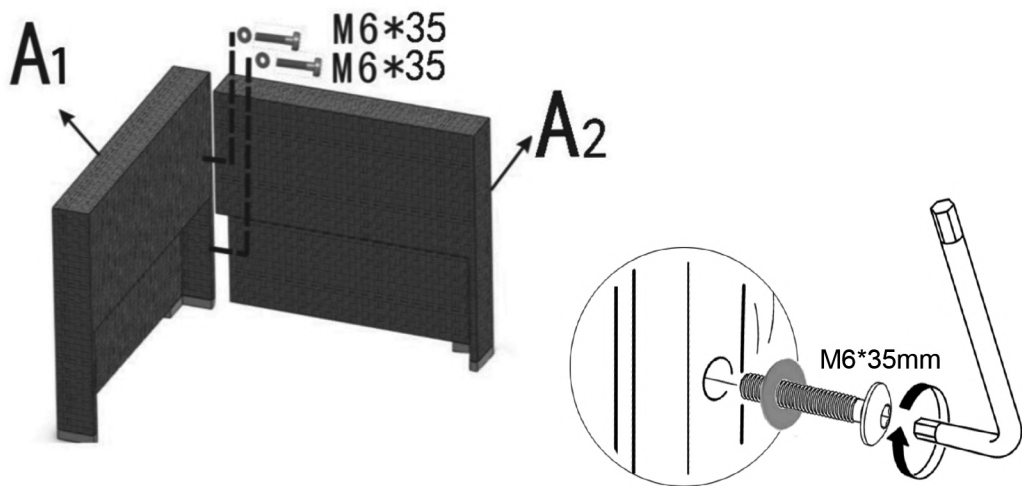
9PCS



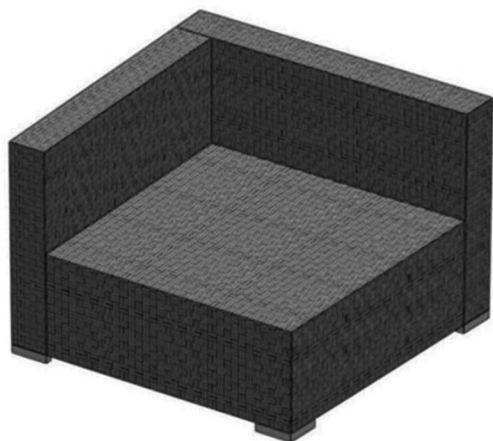
9PCS

# Assembly Instructions

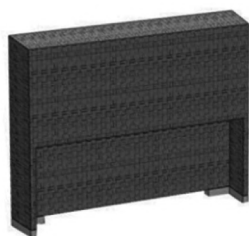
---



# Left corner sofa

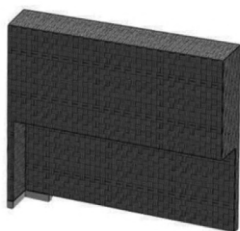


## Part list



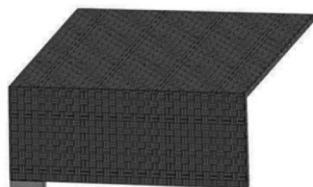
**B<sub>1</sub>**

1PC



**B<sub>2</sub>**

1PC



**B<sub>3</sub>**

1PC



**M6\*35mm**

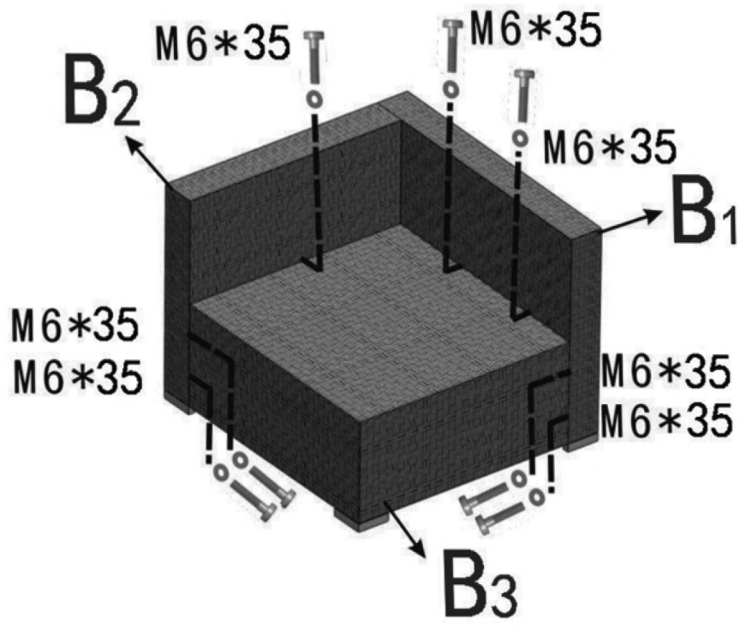
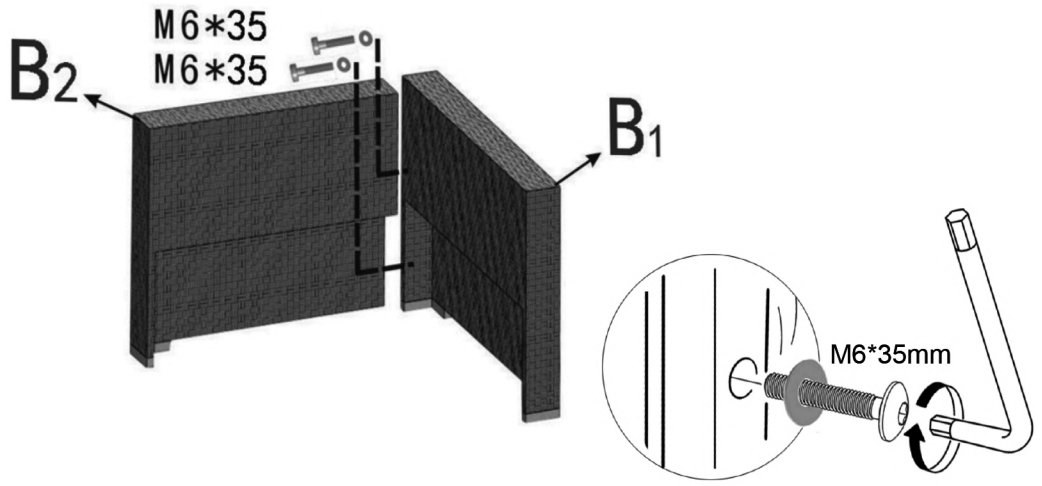
9PCS



9PCS

# Assembly Instructions

---



# Middle sofa

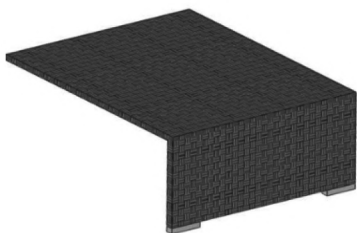


## Part list



**C1**

4PCS



**C2**

4PCS



**C3**

4PCS



**M6\*35mm**

32PCS



32PCS



# Assembly Instructions

