



# LEFROY BROOKS

1 8 2 8 T R O U T M A N S T R E E T  
R I D G E W O O D N E W Y O R K N Y 1 1 3 8 5 U S A  
T: +1(718) 302 5292 F: +1(718) 302 4177

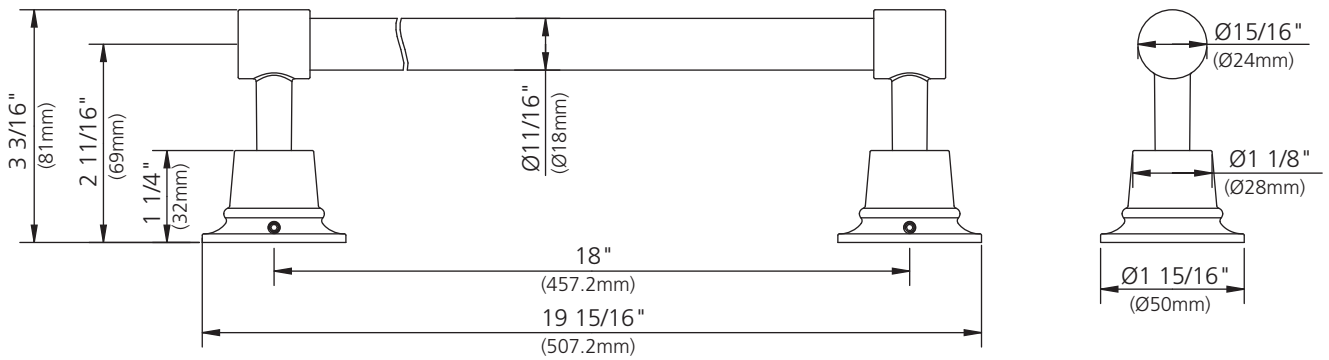
## M2-5101

FLEETWOOD 18" TOWEL RAIL

### DIMENSIONAL DATA SHEET

DATE: 14 March 2011

No: BM201100



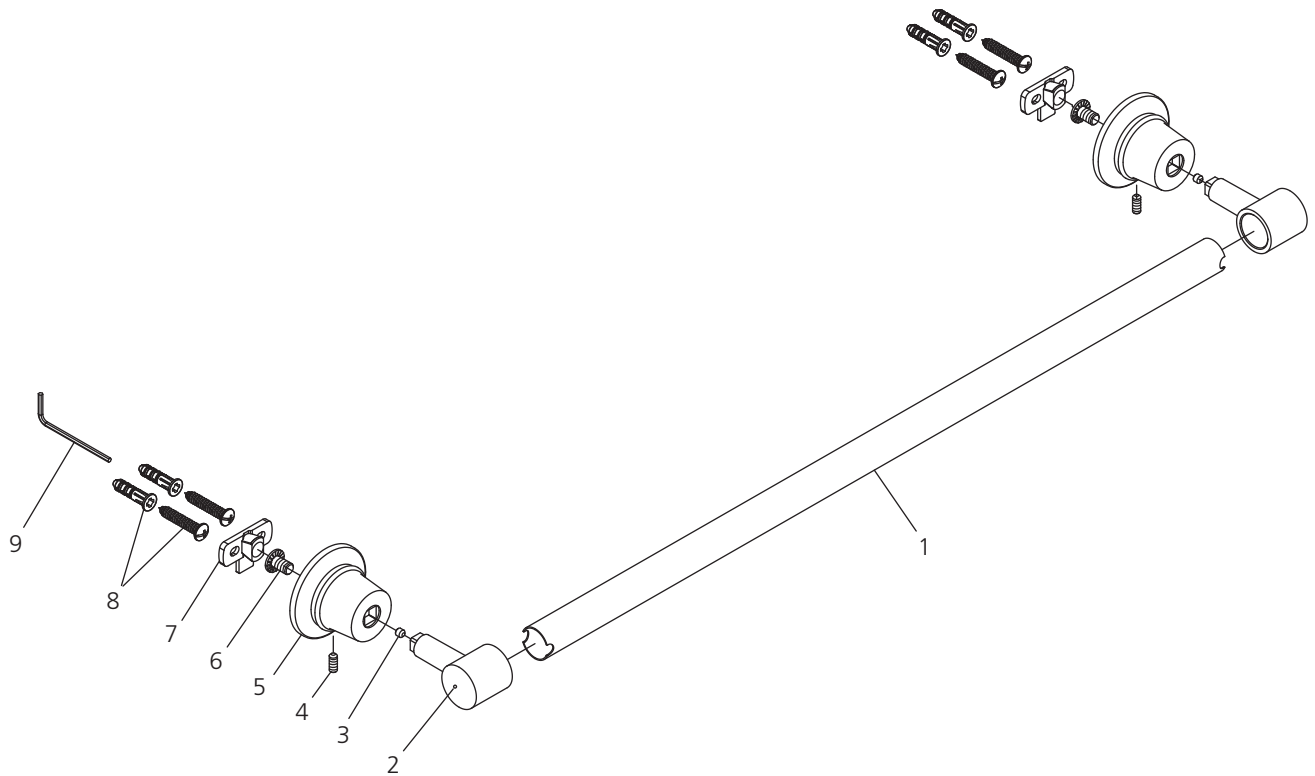
©COPYRIGHT 2009. CHRISTO LEFROY BROOKS. ALL RIGHTS RESERVED.

DIMENSIONS IN INCHES & MILLIMETRES

WHILST EVERY EFFORT IS MADE TO ENSURE THE ACCURACY OF THESE DATA SHEETS THEY ARE SUBJECT TO CHANGE WITHOUT NOTICE AS PART OF THE COMPANY'S PRODUCT DEVELOPMENT PROCESS

# M2-5101

FLEETWOOD 18" TOWEL RAIL



- |   |                     |   |                                |
|---|---------------------|---|--------------------------------|
| 1 | Towel rail (250349) | 6 | Screw (292550)                 |
| 2 | Post (244043)       | 7 | Mounting bracket (293014-3)    |
| 3 | Set screw (065086)  | 8 | Anchor bolt and screw (290411) |
| 4 | Set screw (292547)  | 9 | Allen key (031003)             |
| 5 | Bracket (245025)    |   |                                |