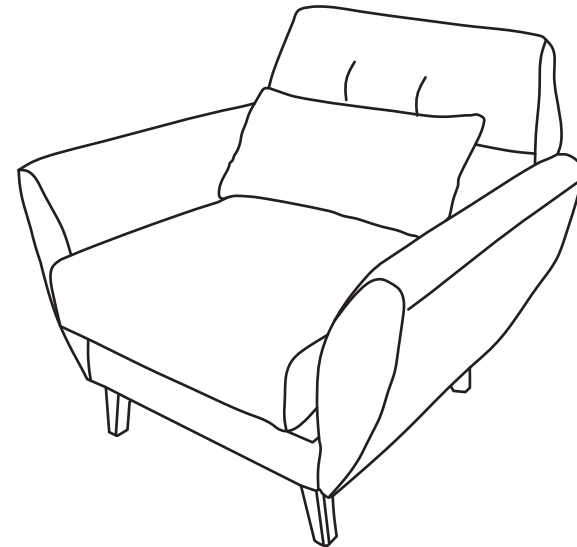


Limited Warranty

Our seating products are warranted against defects in material and workmanship while owned by the "Original Purchaser". The term "Original Purchaser" is defined as that party or entity which purchases our furniture from an authorized retailer as shown by the **original sales receipt**. This warranty does not apply to "as is" or previously owned seating products.

We warrant our products to be free from defects in materials and workmanship (normal wear and tear, fading and stretching excepted), for one year from the date of purchase, except as provided below under the limited warranty.

Arm Chair Assembly Instructions



THIS INSTRUCTION BOOKLET CONTAINS IMPORTANT SAFETY INFORMATION.
PLEASE READ AND KEEP FOR FUTURE REFERENCE.



Thank you for selecting one of our seating solutions.

It's True...Fast, Friendly Customer Service

We are committed to excellence. Our primary objective is to provide fast, friendly customer service to all of our customers.

We are here to help if you have any questions, comments, or are in need of warranty replacement parts.

Please call us toll free or visit website

Step 6 -- Open the vacuum packed Seat Cushion (J) by carefully cutting the bag with a pair of scissors. Insert the Seat Cushion (J) into the appropriate Seat Cover (L). Remember to keep the top side of the Seat Cushion (J) with the top side of the Seat Cover (L). Fluff all cushions and pillow to allow them to expand. Lastly, position all cushions and pillow on the chair. Seat and back cushions may take 24-48 hours to fully expand, which will allow wrinkles and indentations caused by packing to fade.

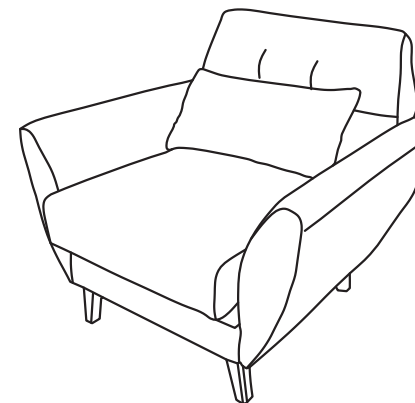
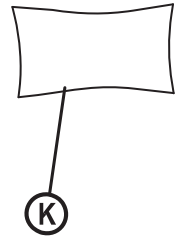
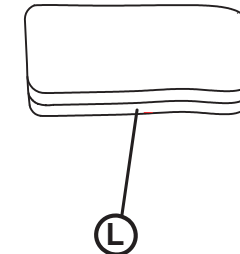
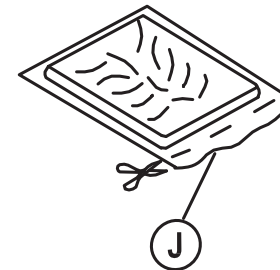


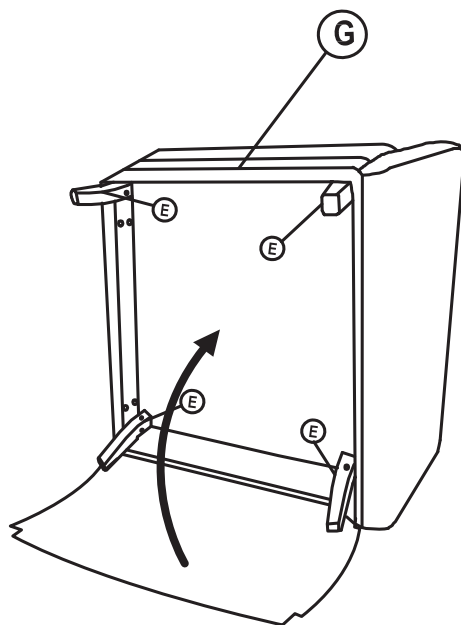
Diagram 1



Diagram 2

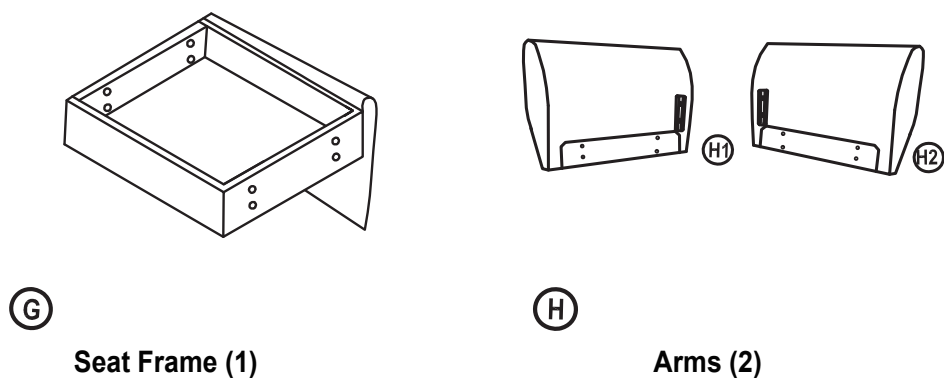
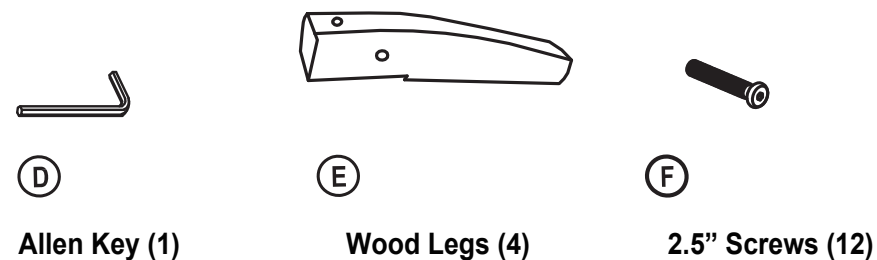
ATTENTION: To close the zipper, please follow diagram 1. Failure to follow this could result in damage to the zipper.

Step 5 -- Secure the bottom flap with hook and loop tape.

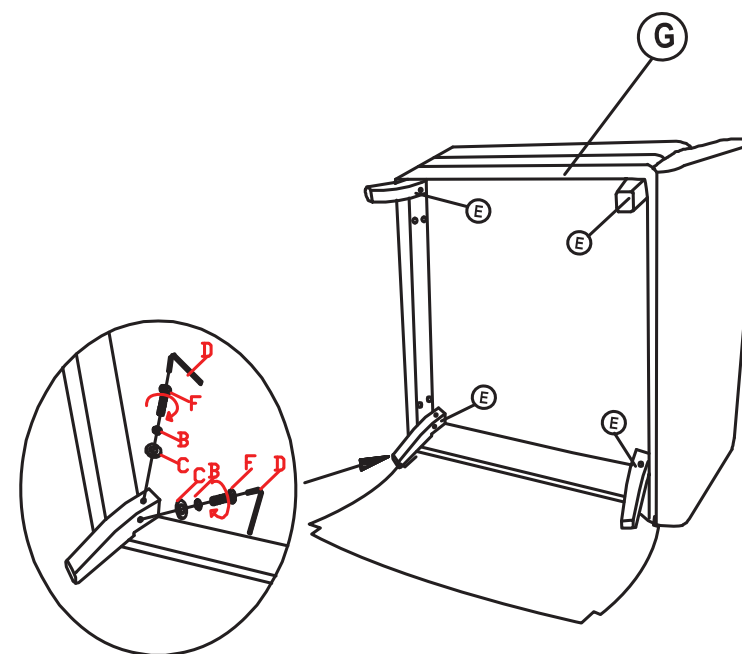


NOTES:

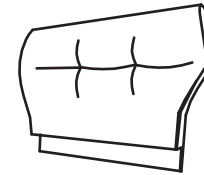
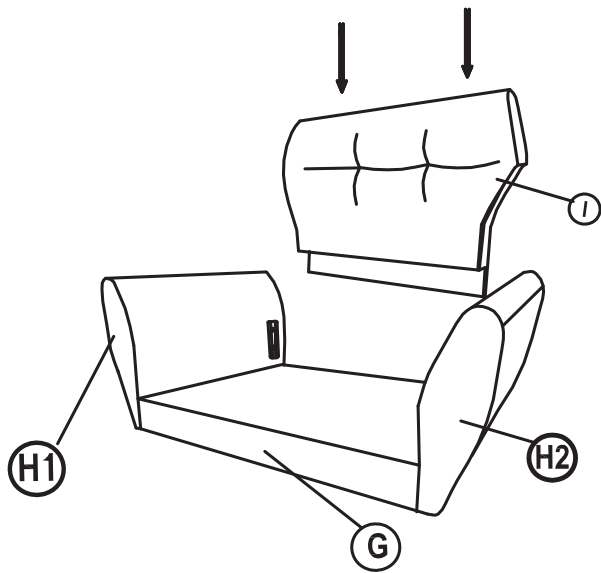
- Please read the instruction sheets completely before assembly.
- Remove all parts from carton and ensure all parts are included prior to assembly.
- Assemble the sofa on a protected surface to avoid scratching the components of chair.
- Be careful not to cross-thread screws.
- Do not use power tools.
- Two people are recommended for assembly.
- Seat and back cushions may take 24-48 hours to fully expand, which will allow wrinkles and indentations caused by packing to fade.
- A compressed product assumes its proper shape and volume within 3-4 days.
- Take care not to damage the product if you use scissors or a knife when opening the package.



Step 4 -- Insert Wood Legs (E) into the bottom of the chair as shown and connect with 2.5" Screws (F) with Spring Washers (B) and Flat Washers (C). Do not tighten screws fully until you have completed assembly. Place chair upright on level floor. Make any necessary adjustments to frame to ensure chair sits flat on floor without rocking, then tighten all screws securely with Allen Key (D).

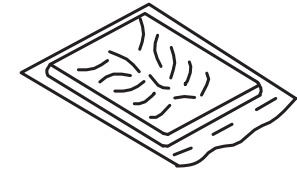


Step 3 -- Attach the Back Cushion (I) to the seat frame by sliding the receivers into the mechanism posts located on the Arms (H1 & H2). From the front of the chair, press down on both sides of the Back Cushion (I) to firmly secure. The Back Cushion (I) and Seat Frame (G) will automatically lock into place. Then pull the back flap down tightly and attach the back flap to the bottom of the Seat Frame (G).



ⓐ

Back Cushion (1)



ⓑ

Seat Cushion (1)



ⓒ

Pillow (1)

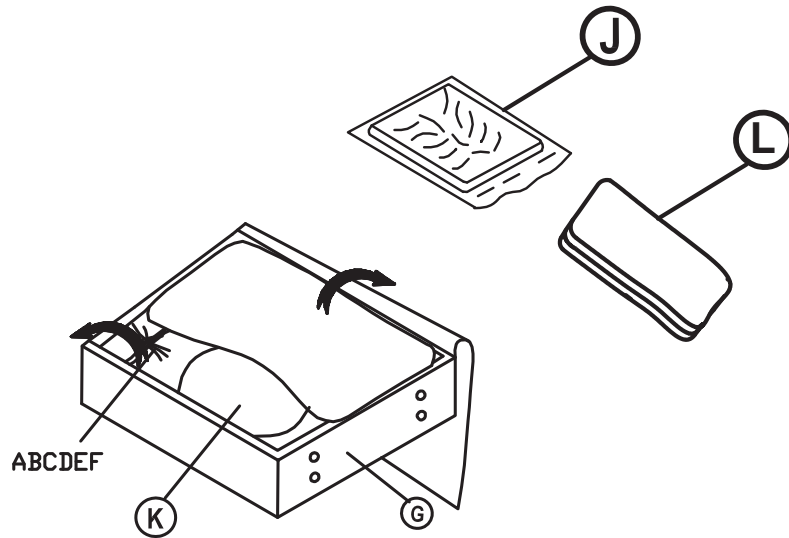


ⓓ

Seat Cushion Cover (1)



Step 1 -- Remove all parts from the carton and place them on a protected surface or carpet. Place the Seat Frame (G) upside down and open the bottom flap. Take the Screws (A & F), Spring Washers (B), Flat Washers (C), Allen Key (D), Wood Legs (E), Seat Cushion (J), Seat Cushion Cover (L) and Pillow (K) out of the seat box.



Step 2 -- Insert 1.75" Screws (A), Spring Washers (B) and Flat Washers (C) into seat frame holes, attaching Arms (H1 & H2) to sides of Seat Frame (G) and tighten the screws.

