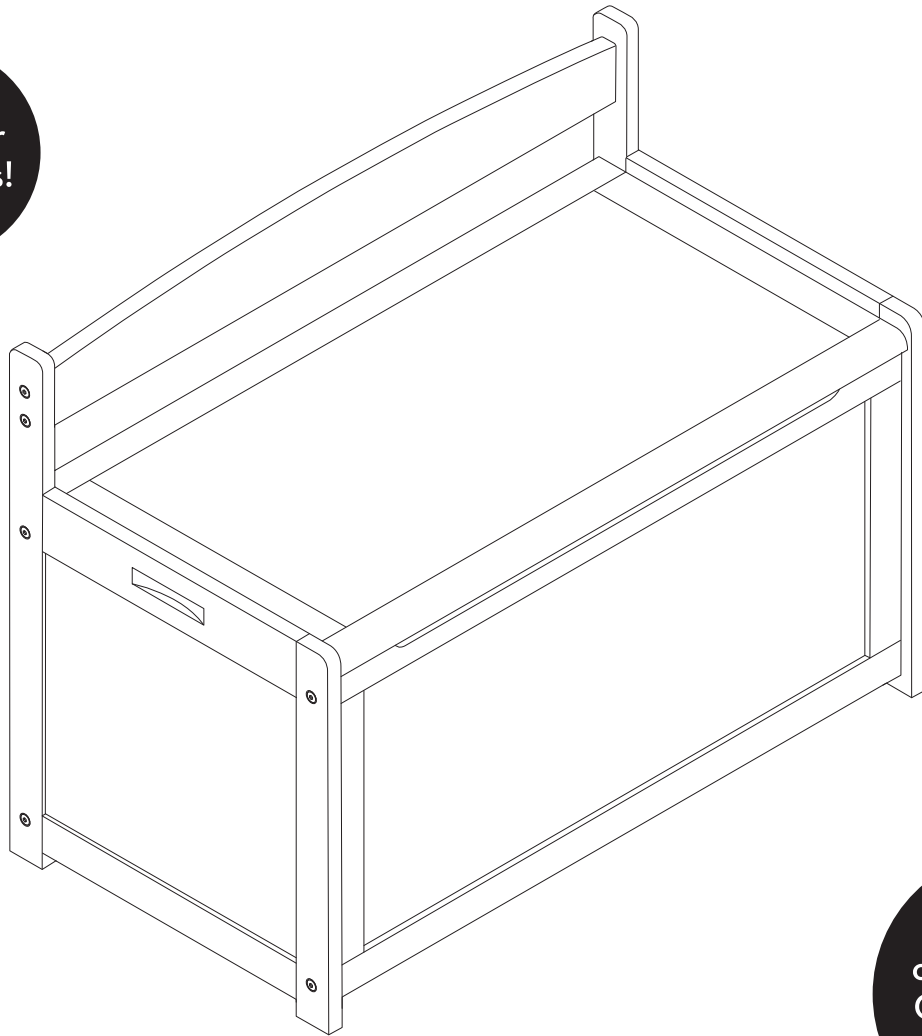




Wooden Toy Chest

ASSEMBLY INSTRUCTIONS

Put Together in 7 Steps!



Have a question or need help? Give us a call! 1-800-284-3948

THANK YOU!

Thank you for choosing the Melissa & Doug Wooden Toy Chest! This sturdy and roomy chest is perfect for storing toys and games, and allows kids to open up a world of wonder every day!

NOW IT'S TIME TO PUT IT TOGETHER!

Don't worry, assembling your new toy chest is simple, and we're here to help. Here are a few tips before you begin:

- Read through all the instructions first.
- Clear a flat, covered space (carpeted is best) to lay out all the materials so everything is close at hand.
- You will need a Phillips head screwdriver (not included) to assemble the toy chest. A power screwdriver is not recommended. We've included everything else you will need. All parts are labeled with a sticker (A-G; 1-5).
- The instructions include lots of helpful pictures—we show you, step-by-step, how to align pieces and parts for speedy and accurate assembly. Note that the hardware needed for each step is shown in the upper right corner of the page, each piece being added in a given step is highlighted in gray, and the “assembled view” (what it looks like in the completed product when the step is completed) is included in the lower right corner of every page.
- In the instructions, the name of a part is followed by a letter or number in parentheses. This letter or number corresponds to the sticker on the part, as well as the picture of the part shown on page 2.
- Helpful hints are highlighted with a large exclamation point.



IMPORTANT: Helpful hints are found here.

- If you have any questions, we're here for you! Give our customer care team a call at 1-800-284-3948!
-

WARNINGS!

Warning—Prevent Sudden Lid Closure!

- Failure to properly install lid supports may cause pinching fingers and hands or possible entrapment and strangulation hazard associated with sudden lid closing.
- The lid support is designed to not drop more than 1/2” from its own weight (except for the final 2” before it closes).
- Do not use this product unless the lid supports are installed correctly and the lid functions properly.

Warning—Prevent Tip Overs!

- The toy chest must be placed on a hard, flat, level surface.
- Never place computers, televisions, or other heavy objects on top of the toy chest.
- The toy chest must be assembled as instructed.
- Do not allow children to climb on or in the toy chest.
- For information on how to prevent furniture tip overs in your home, visit AnchorIt.gov.

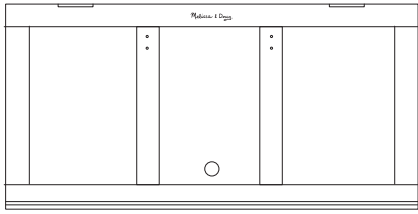
Retain these instructions for future reference.

MAINTENANCE:

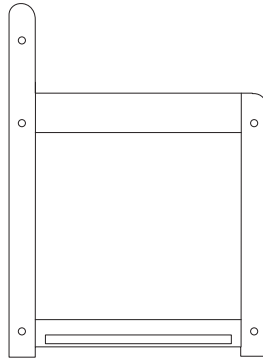
- Ensure the toy chest continues to function properly and safely by regularly checking the hardware and tightening when necessary.
- Wipe clean with a damp cloth.

PARTS - Be Smart—Sort Your Parts

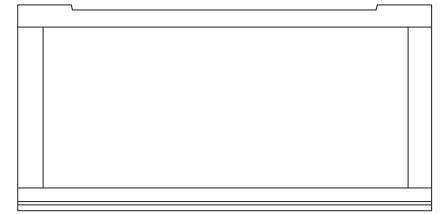
Before you begin assembly, make sure you have all the parts listed below.



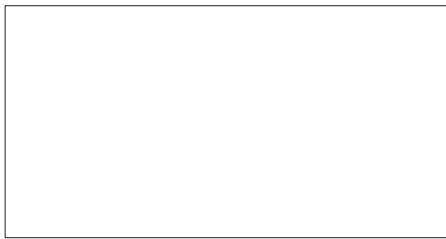
A back panel



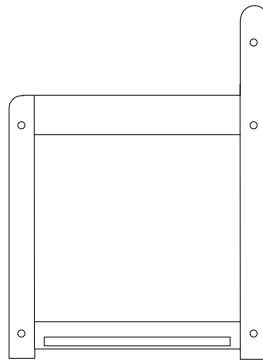
B right side panel



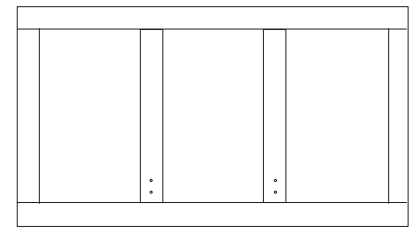
C front panel



D base panel



E left side panel



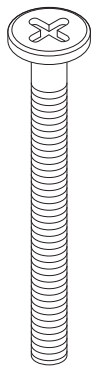
F lid panel



G brace

HARDWARE

You will need a Phillips head screwdriver (not included) to assemble the Toy Chest.



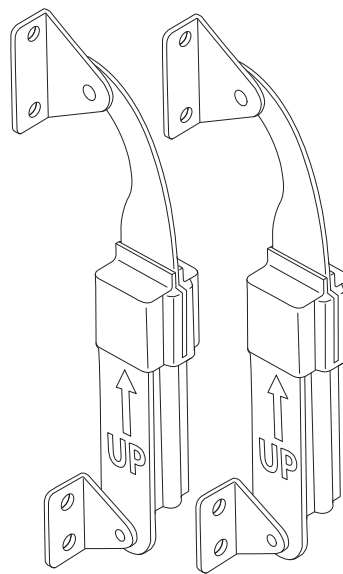
1 long bolts (8)



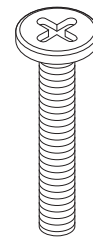
2 small flat head screw (6)



3 small pan head screws (8)



4 lid supports (2)



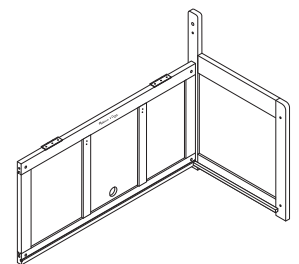
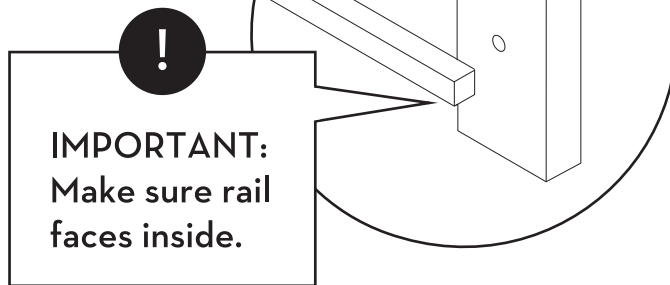
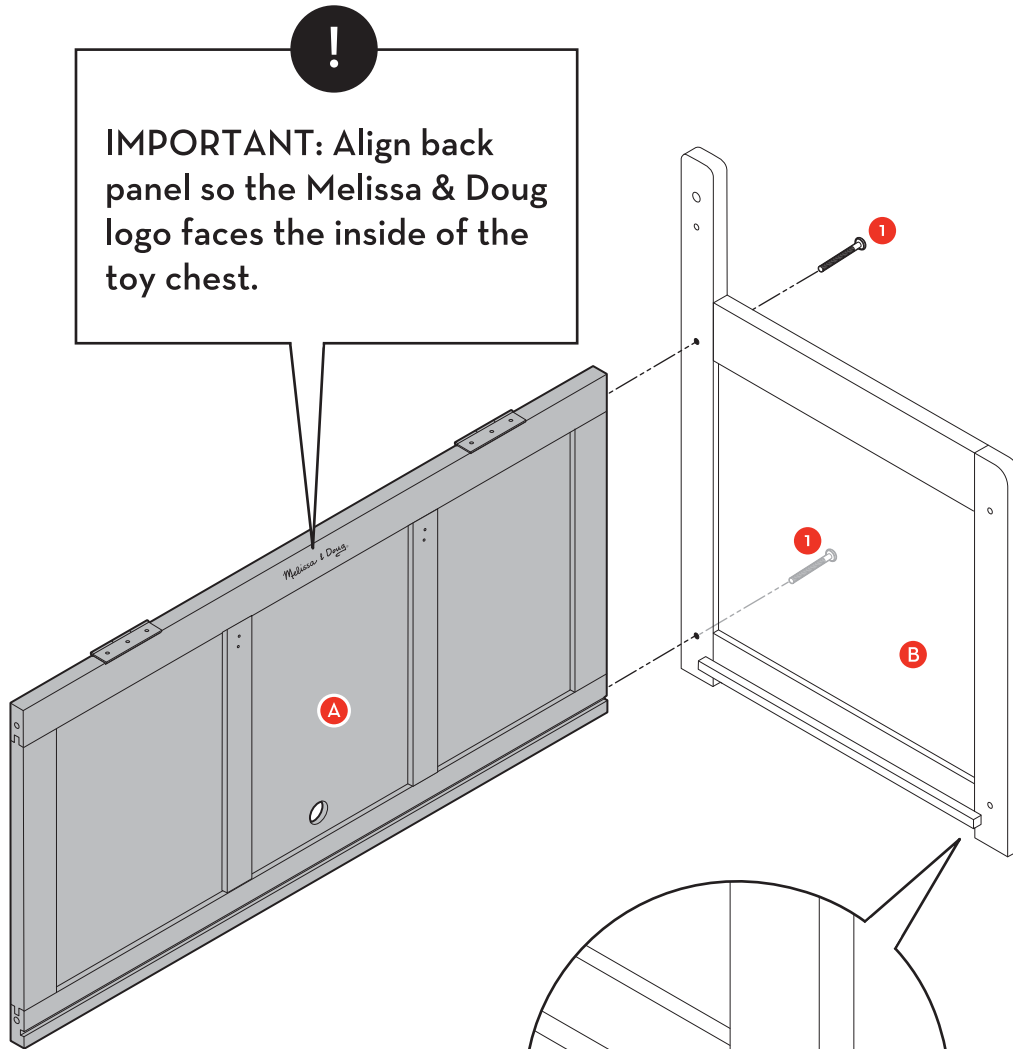
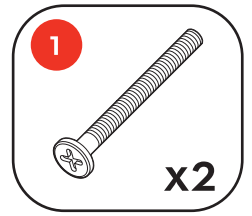
5 short bolts (4)



IMPORTANT:
Some packages of hardware may have extra pieces.

STEP 1 - Every Journey Begins with the First Step

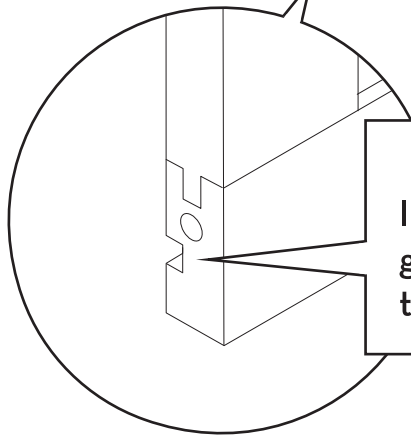
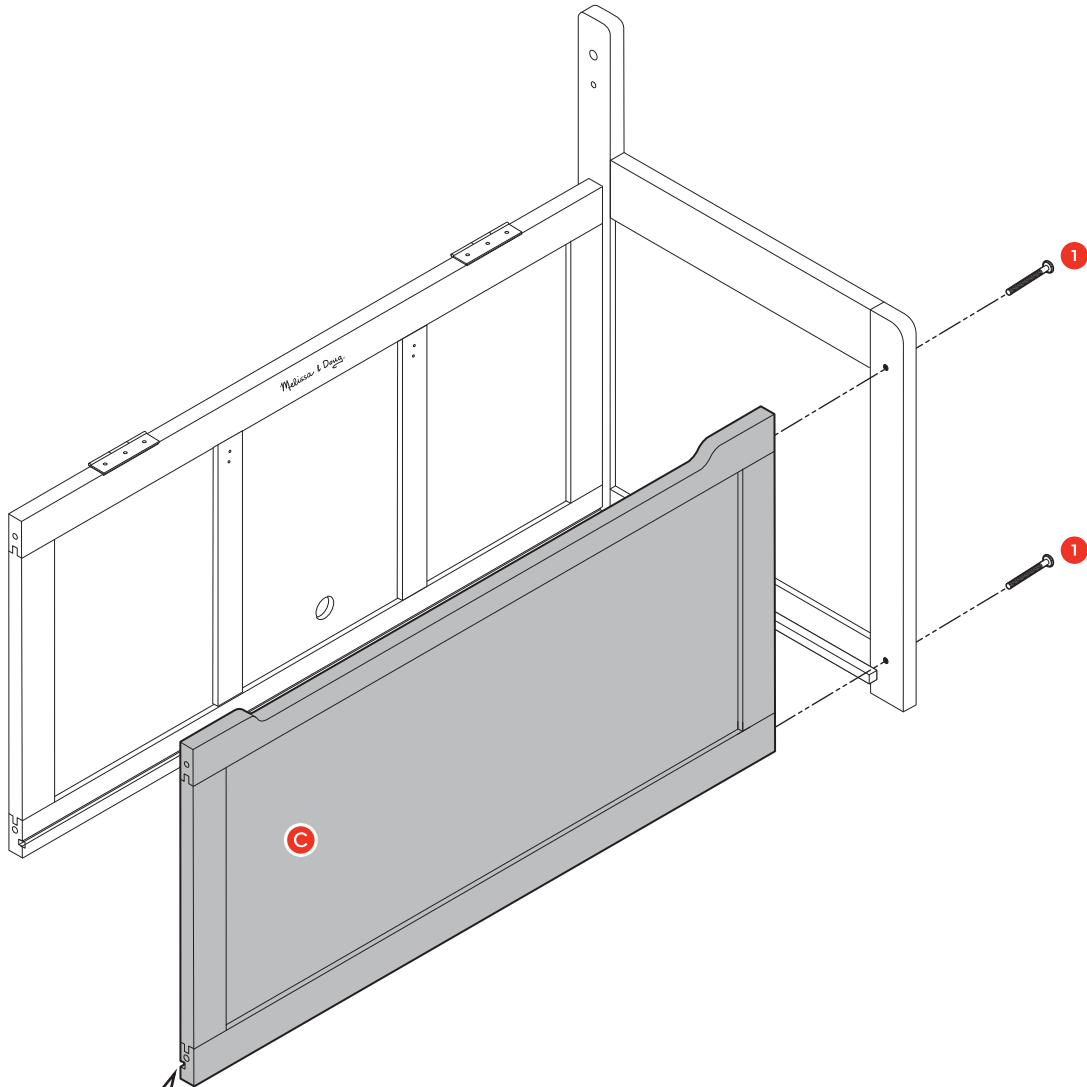
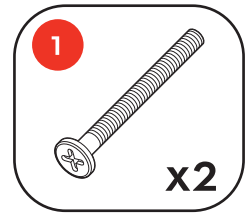
Using two long bolts (part 1), attach the back panel (part A) to the right side panel (part B). Do not fully tighten the long bolts at this time.



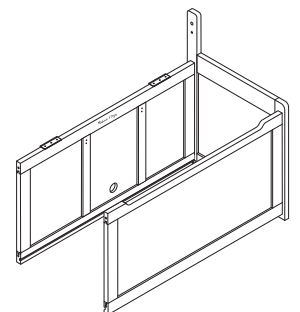
Assembled View

STEP 2 - Put Up a Good Front

Using two long bolts (part 1), attach the front panel (part C) with notched edge on top, to the right side panel (part B). Do not fully tighten the long bolts at this time.



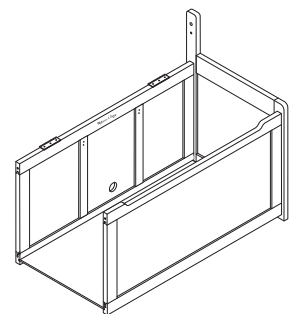
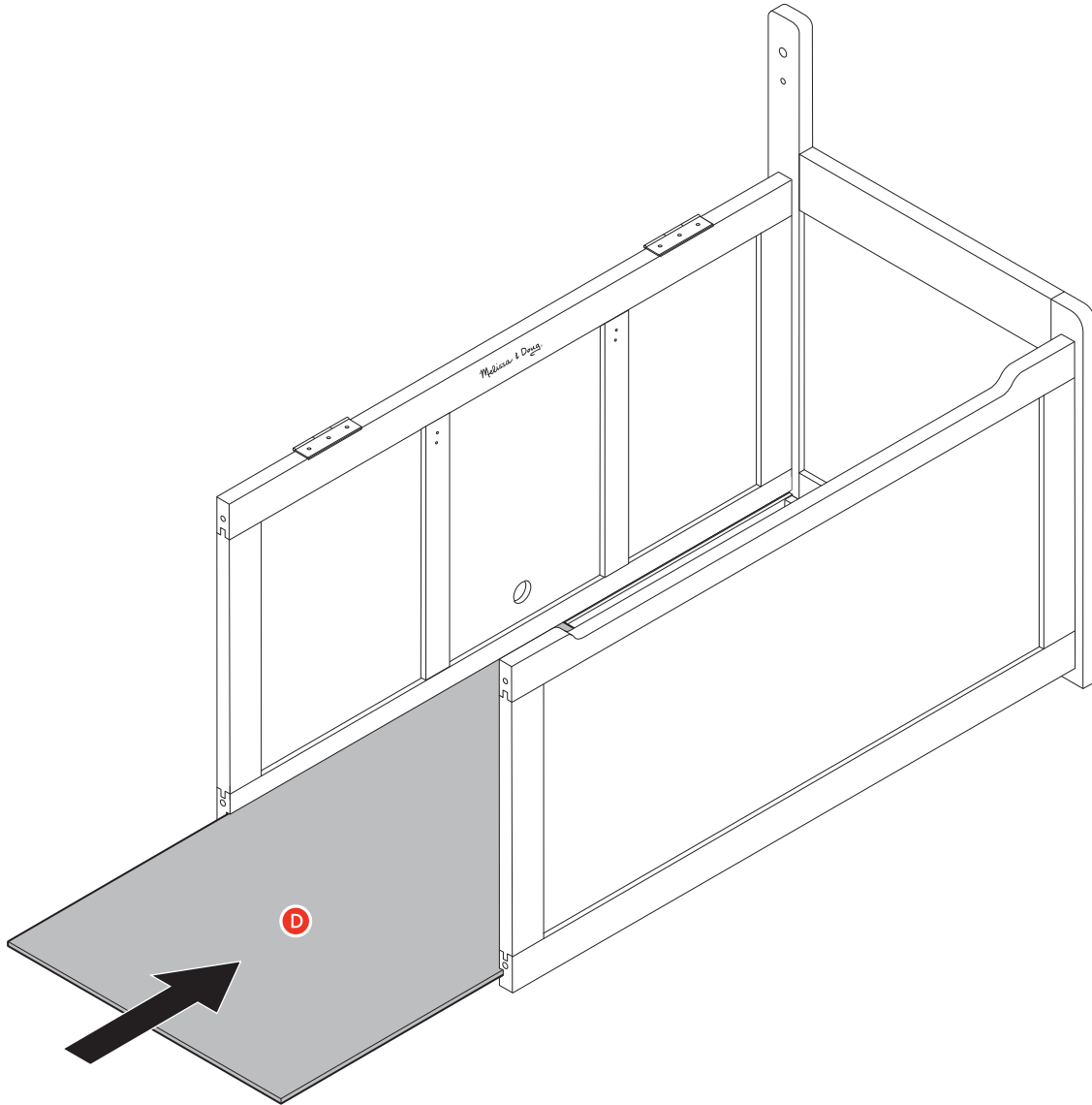
IMPORTANT: Make sure groove faces inside of the toy chest.



Assembled View

STEP 3 - All About the Base

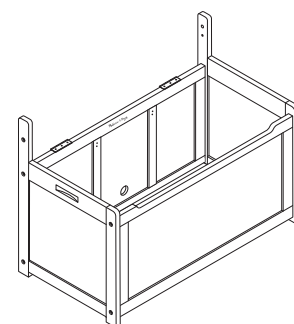
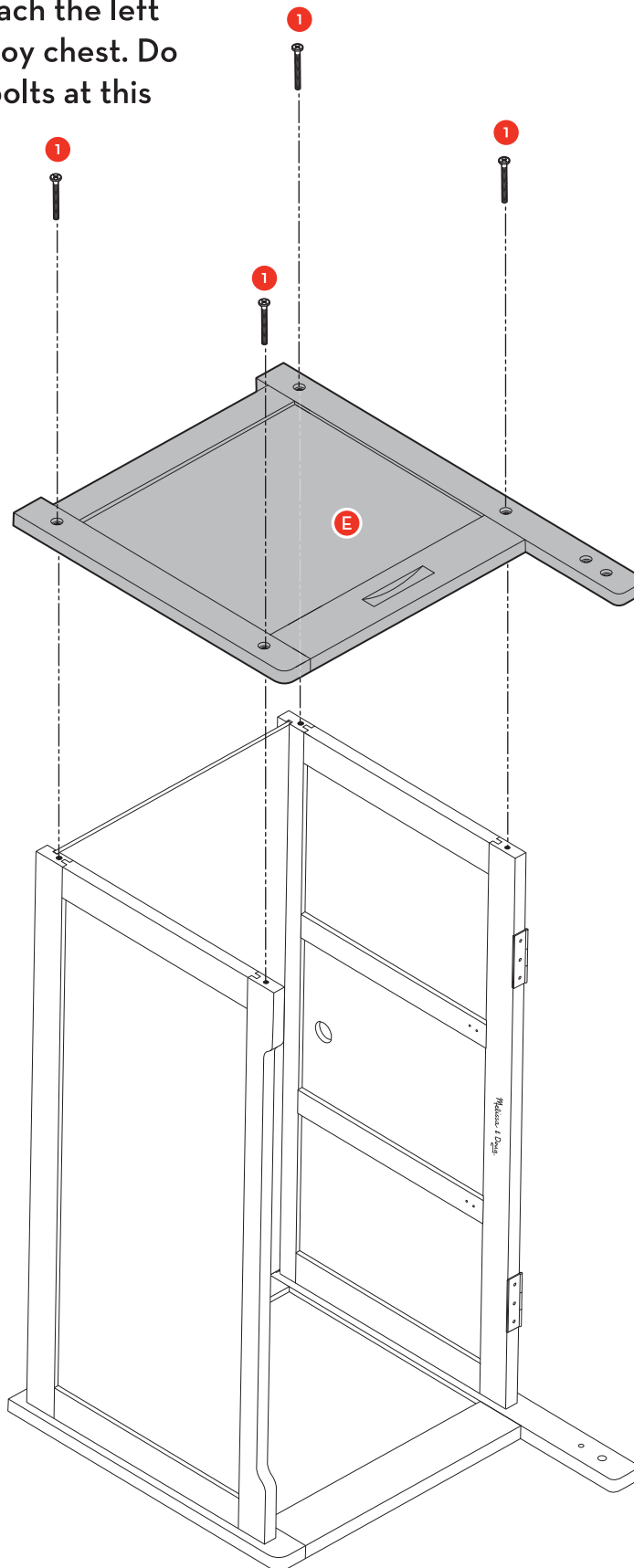
Slide the base panel (part D) into the grooves along the inside bottom of the front and back panels.



Assembled View

STEP 4 - What's Left

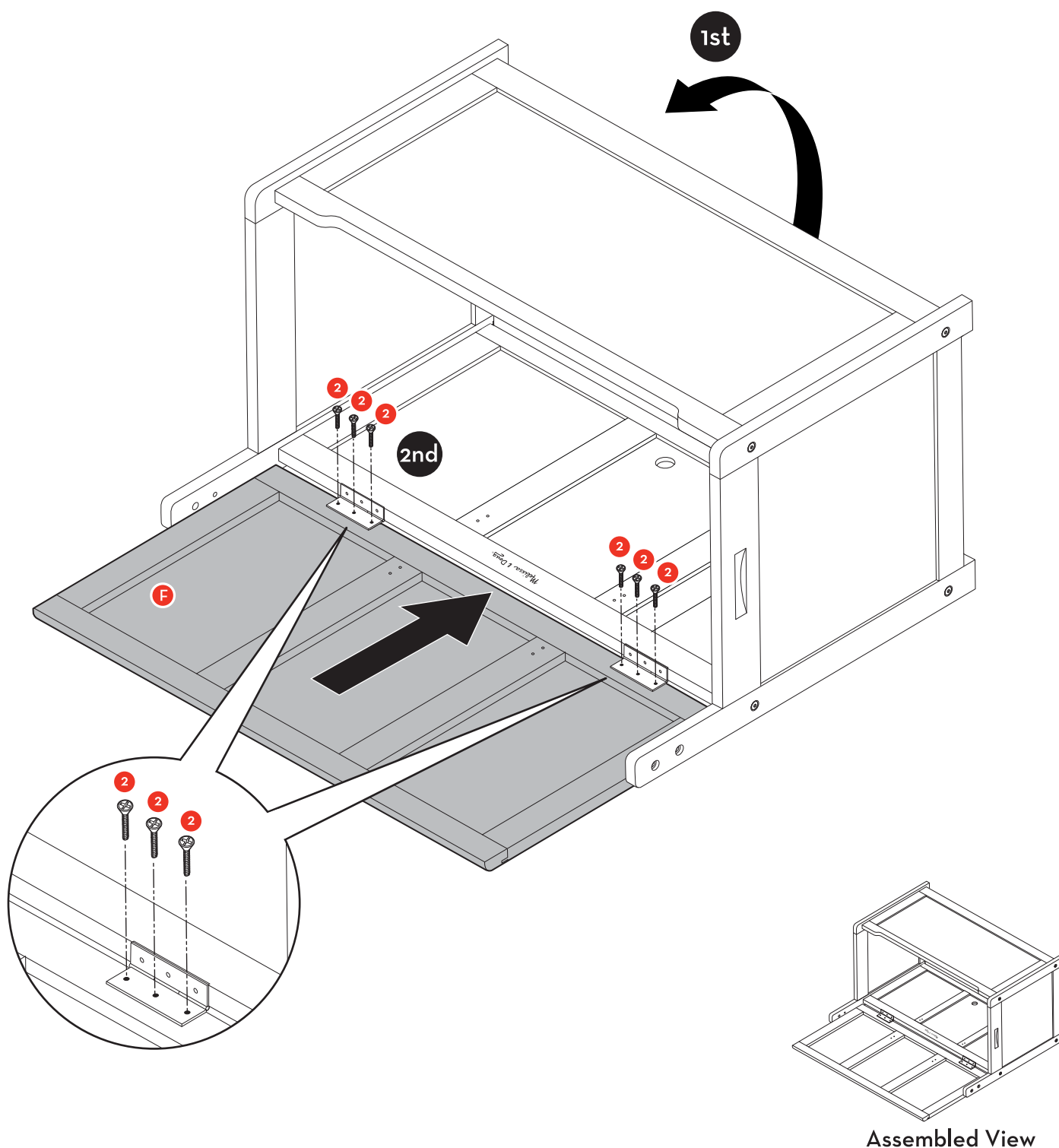
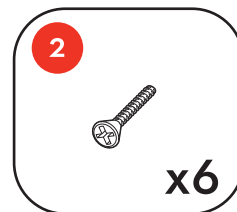
Stand the toy chest on its side. Using four long bolts (part 1), attach the left side panel (part E) to the toy chest. Do not fully tighten the long bolts at this time.



Assembled View

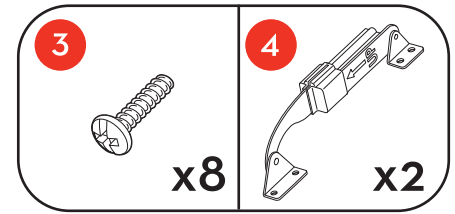
STEP 5 - Put a Lid on It

- First, rotate chest box onto its back.
- Second, slide the lid panel (part F) so the hinges on the toy chest and hinge holes on the lid line up. Using six small flat head screws (part 2), attach the hinges to the lid panel.



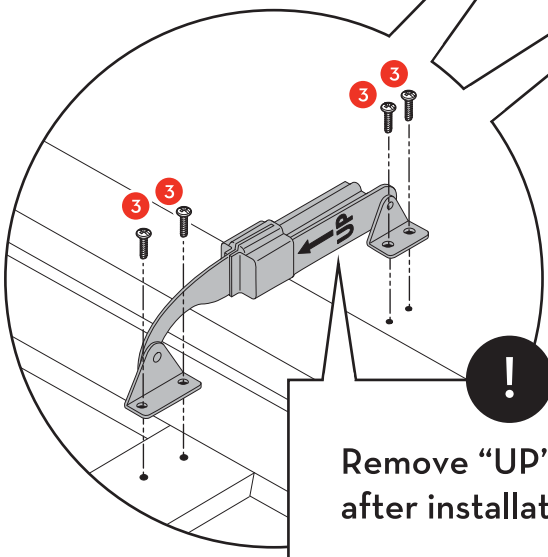
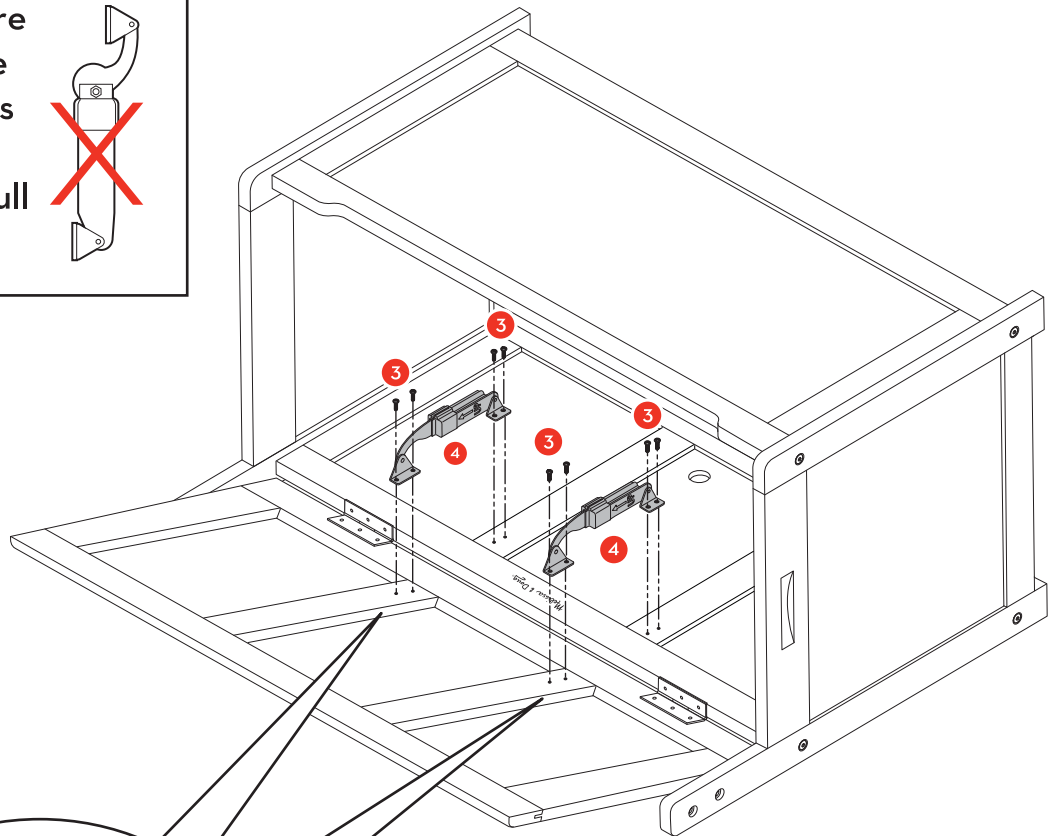
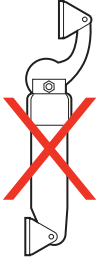
STEP 6 - The Springs Are the Things

Using eight small pan head screws (part 3), attach the lid supports (part 4) to the back panel of the toy chest. Then, angle the lid to align the holes on the underside of the lid with those on the lid supports and attach. The “UP” arrow on the lid supports should point toward the lid panel.



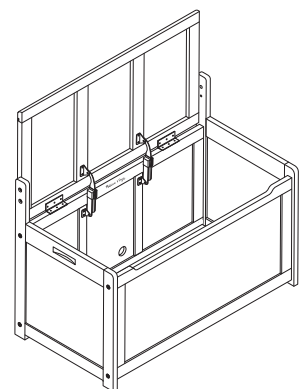
!

IMPORTANT: Before closing the lid, make sure the lid supports are straight. If it is bent back, simply pull it forward.



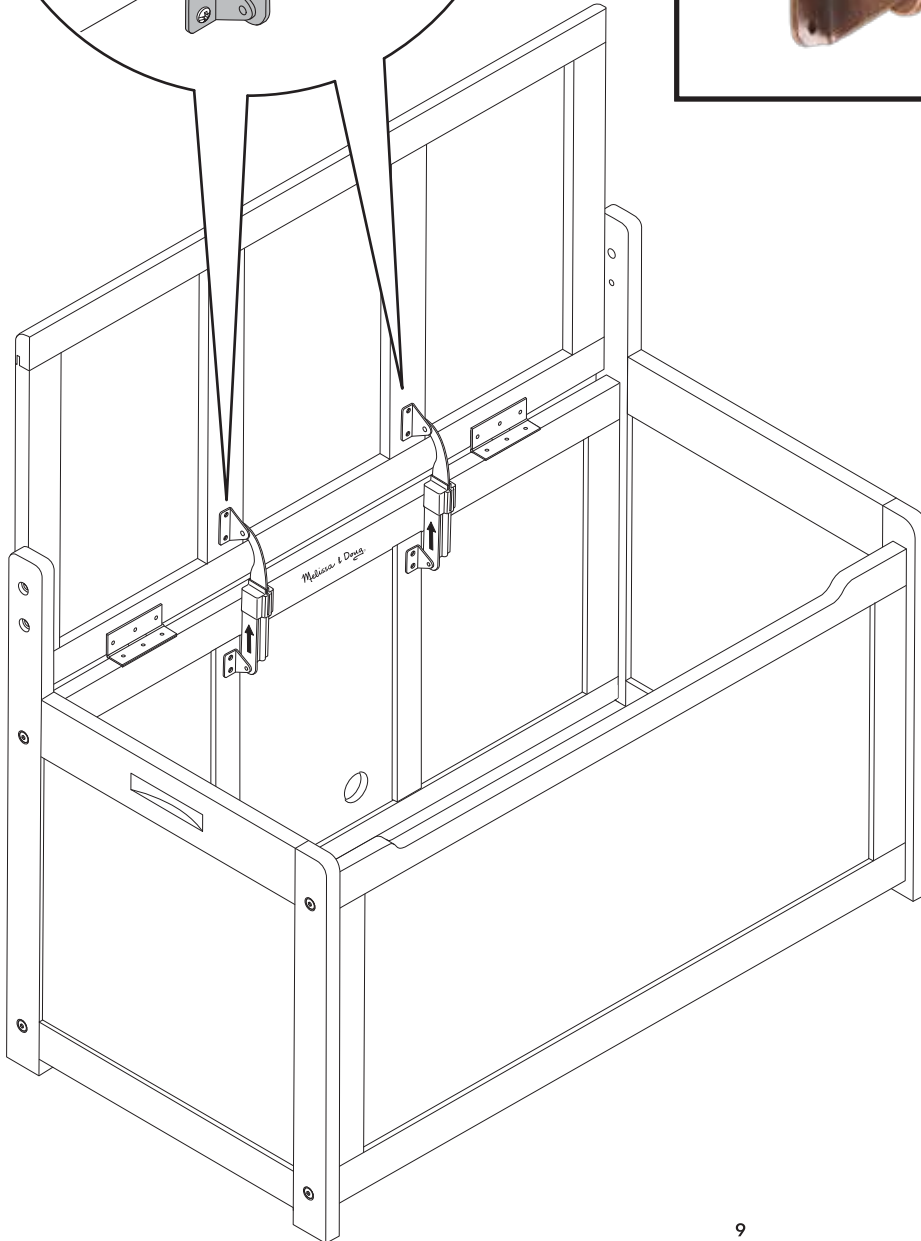
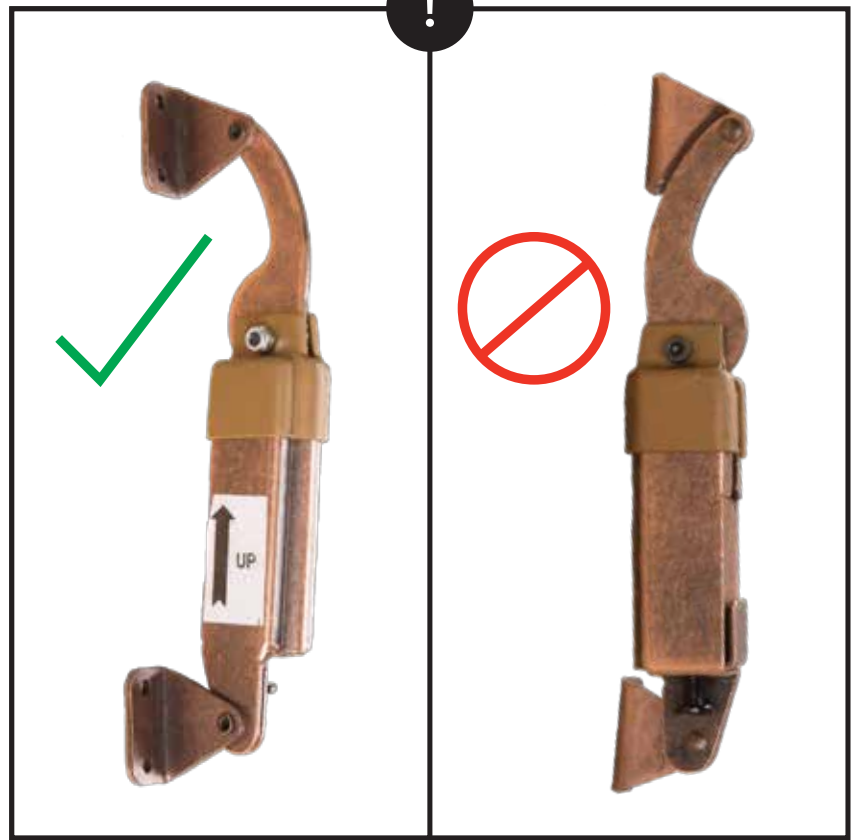
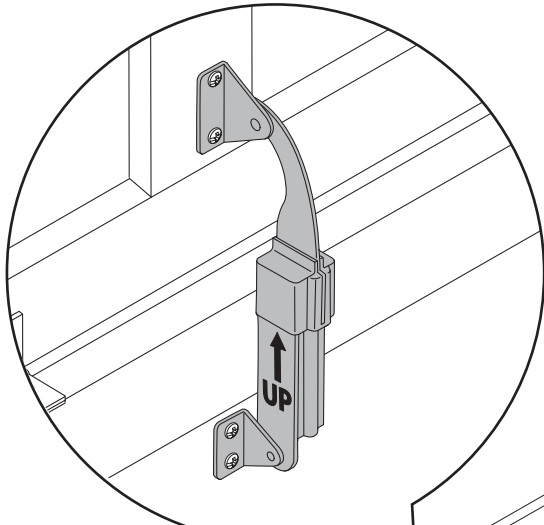
!

Remove “UP” stickers after installation.



Assembled View

Important Notice

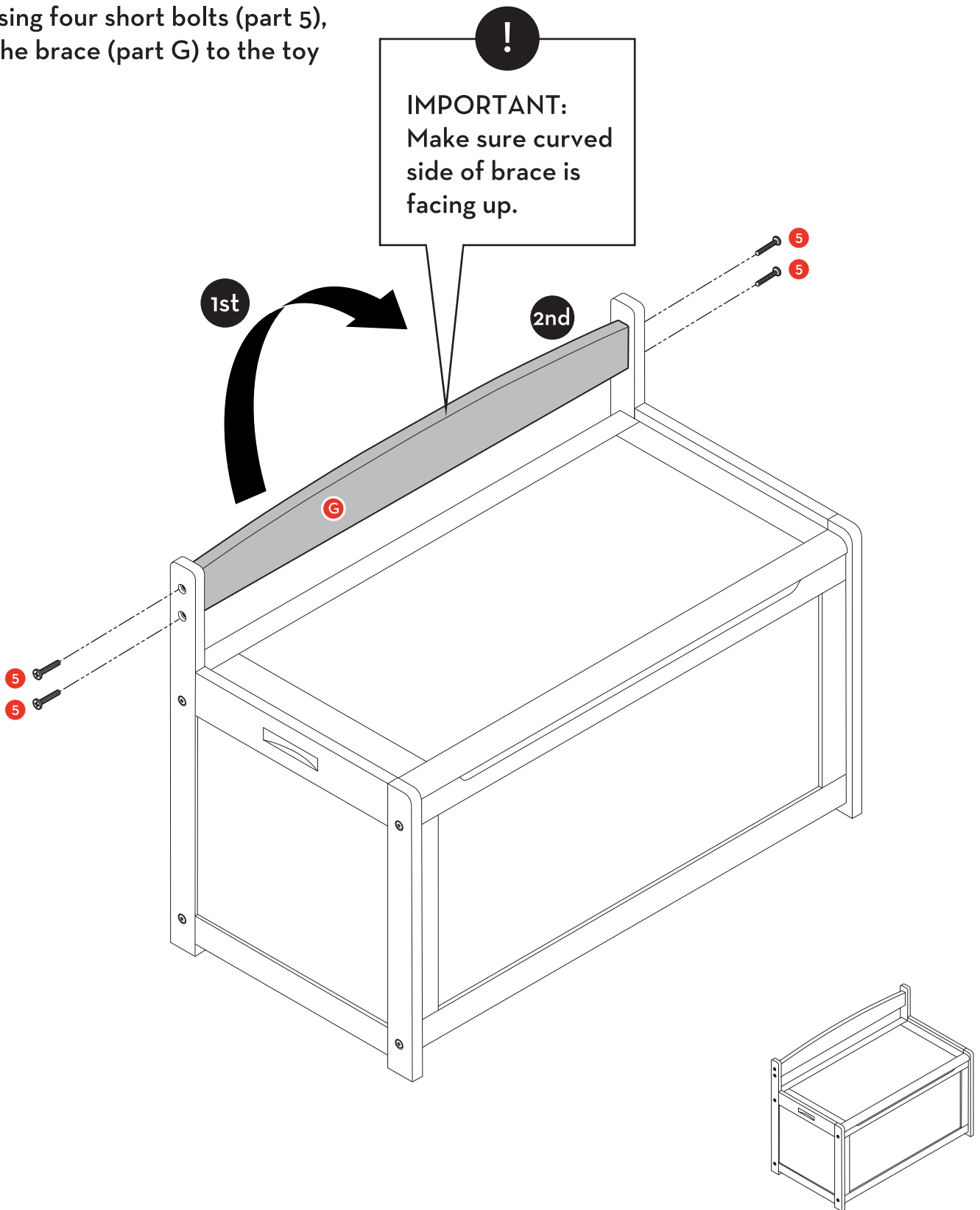


Safety Feature!

- Failure to properly install lid supports may cause pinching fingers and hands or possible entrapment and strangulation hazard associated with sudden lid closing.
- The lid support is designed to not drop more than 1/2" from its own weight (except for the final 2" before it closes).
- Do not use this product unless the lid supports are installed correctly and the lid functions properly.

STEP 7 - Brace Yourself

- First, rotate toy chest so it's upright.
- Second, completely tighten all long bolts on the toy chest.
- Third, using four short bolts (part 5), attach the brace (part G) to the toy chest.

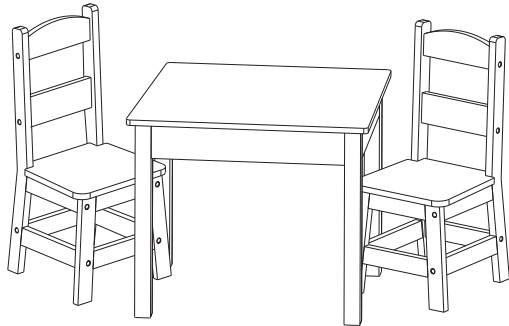


YOU DID IT!

Now the real fun begins—it's time to use your toy chest to organize toys and games! At playtime, open up the toy chest to discover a world of imagination and wonder; and at the end of the day, pop toys inside to make cleanup a breeze.

ACCESSORIZE

Melissa & Doug offers a full line of top-quality furniture, sized just for kids, that coordinates with your toy chest! Visit us at MelissaAndDoug.com!



WOODEN TABLES & CHAIRS

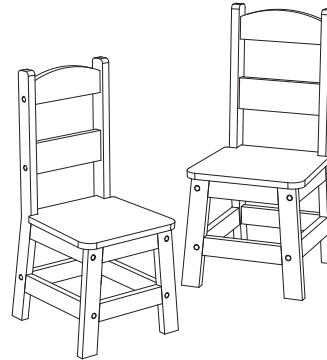
Natural #2427

White #30225

Espresso #30226

Classic #30233

Pastel #30234

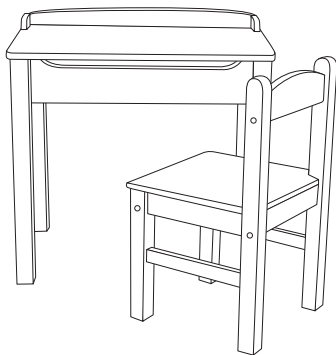


WOODEN CHAIR PAIR

Natural #8789

White #30220

Espresso #30221

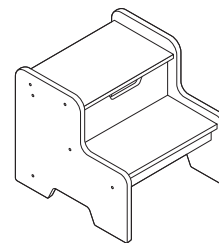


WOODEN LIFT-TOP DESK & CHAIR

Honey #30230

White #30231

Espresso #30232



STEP STOOL

Natural #30223

White #30222

Espresso #30224

