



LEFROY BROOKS

1 8 2 8 T R O U T M A N S T R E E T  
R I D G E W O O D N E W Y O R K N Y 1 1 3 8 5 U S A  
T: +1(718) 302 5292 F: +1(718) 302 4177

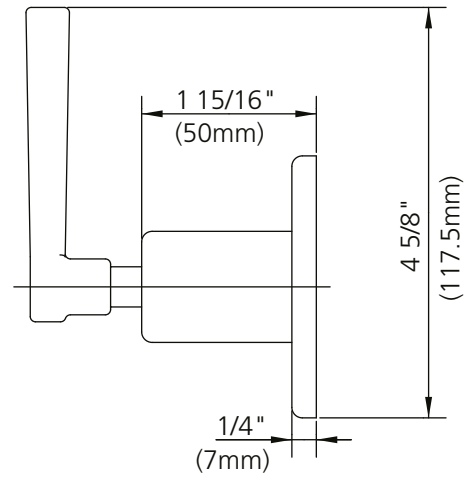
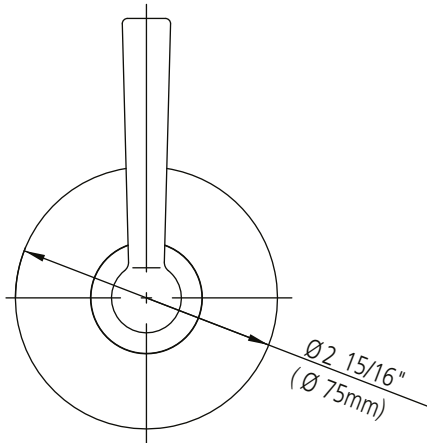
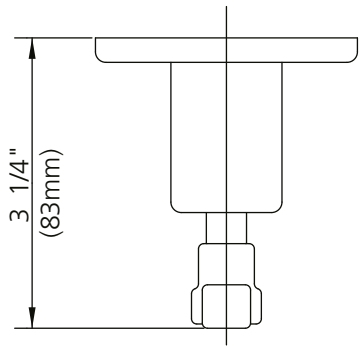
M1-1015

MACKINTOSH LEVER FLOW CONTROL TRIM TO SUIT R1-4002  
ROUGH

DIMENSIONAL DATA SHEET

DATE: 18 December 2018

No: A66F286



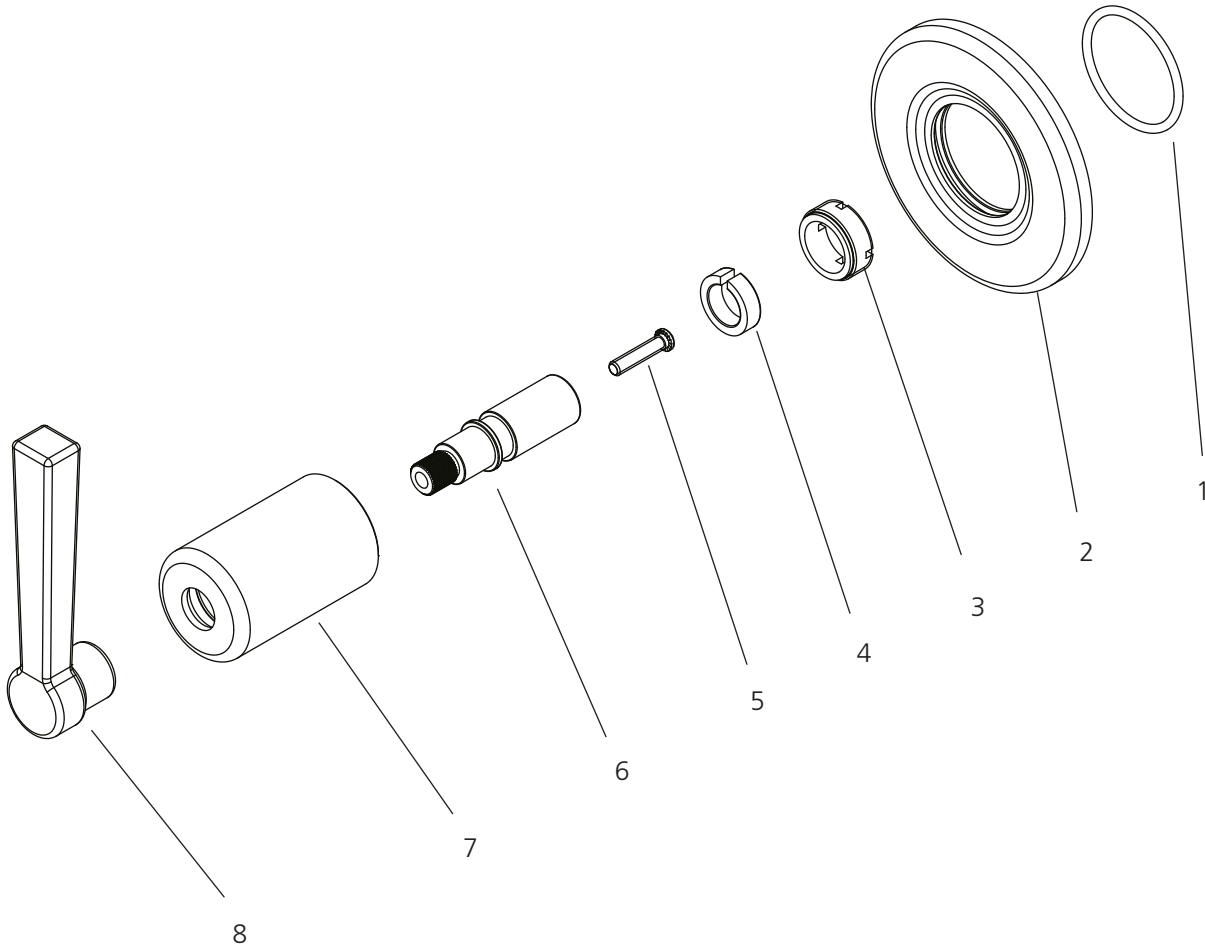
COPYRIGHT © LBP LTD 2012. ALL RIGHTS RESERVED.

DIMENSIONS IN INCHES & MILLIMETRES

WHILST EVERY EFFORT IS MADE TO ENSURE THE ACCURACY OF THESE DATA SHEETS THEY ARE SUBJECT TO CHANGE WITHOUT NOTICE AS PART OF THE COMPANY'S PRODUCT DEVELOPMENT PROCESS

# M1-1015

MACKINTOSH LEVER FLOW CONTROL TRIM TO SUIT R1-4002 ROUGH



- |   |                     |   |                    |   |                   |
|---|---------------------|---|--------------------|---|-------------------|
| 1 | O-ring (004044)     | 4 | Clip (012242)      | 7 | Canopy (018331)   |
| 2 | Escutcheon (071279) | 5 | Set screw (008486) | 8 | Handle (029686-T) |
| 3 | Adaptor (057507)    | 6 | Adaptor (067773)   |   |                   |

## Standards

IAPMO/cUPC Listed  
ADA Compliant (Only M1-1015)

Please note :  
Final achievable flow rate is dependent on the outlets fitted, see relevant outlets (spouts, roses, sprays) for fully assembled product flow rate.