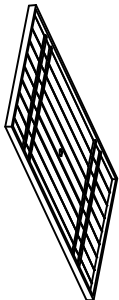
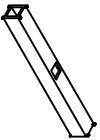






INSTALL INSTRUCTION

No	PARTS LIST	QTY PCS
A		1
B		1
C		2
D	 M6*40	16
E		16
F		1

