



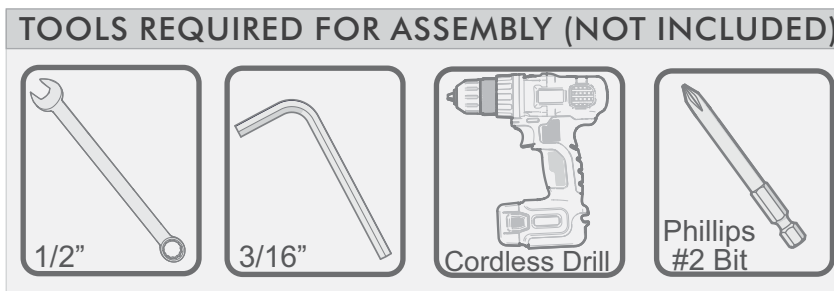
"CONFERENCE"
TABLE TENNIS TABLE

MODEL NO.
T8591B
&
T8591W



PRE-ASSEMBLY TIPS

1. **Read this manual carefully before starting assembly.** Read each step completely before beginning each step.
2. **Some smaller parts may be shipped inside larger parts. Check inside all parts and cartons before assembling or ordering parts.**
3. **To make assembly easier, use the Hardware Identifier on page 5 to identify and sort all fasteners. Check all cartons for kits. All hardware may not be located in one kit.**
4. **Do not tighten hardware until instructed to do so. If hardware is tightened too soon, mounting holes may not align and parts may not easily fit together. Leave locknuts slightly loose until you are instructed to tighten them.**
5. **Save these instructions and your proof of purchase (receipt) in the event that the manufacturer has to be contacted for replacement parts.**



Please Do Not Return This Product to the Store!

Contact Escalade® Sports customer service department at:

Phone: 1-866-873-3528 Toll – Free !

Fax: 1-866-873-3533 Toll – Free !

E-mail: tabletennis@escaladesports.com

Mailing Address (correspondence only):

Escalade Sports

PO Box 889

Evansville, IN 47706

Please visit our Website at:
www.escaladesports.com

ON-LINE TROUBLE SHOOTING TECHNICAL ASSISTANCE
ON-LINE PARTS REQUESTS FREQUENTLY ASKED QUESTIONS
ADDITIONAL ESCALADE® SPORTS PRODUCT INFORMATION



PARTS LIST (NOT ACTUAL SIZE)

T8591B / BLACK TABLE

*If you have a **black** table use these part numbers for re-order

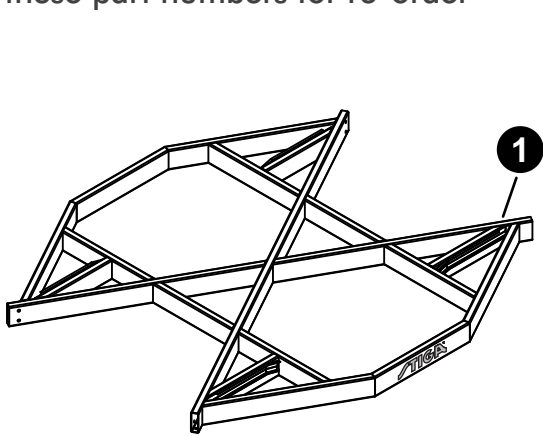


TABLE FRAME (BLACK)
1A-4144-01
(QTY. 1)

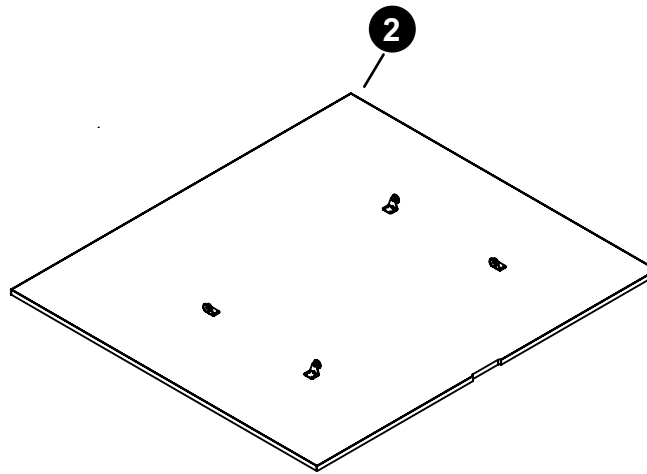
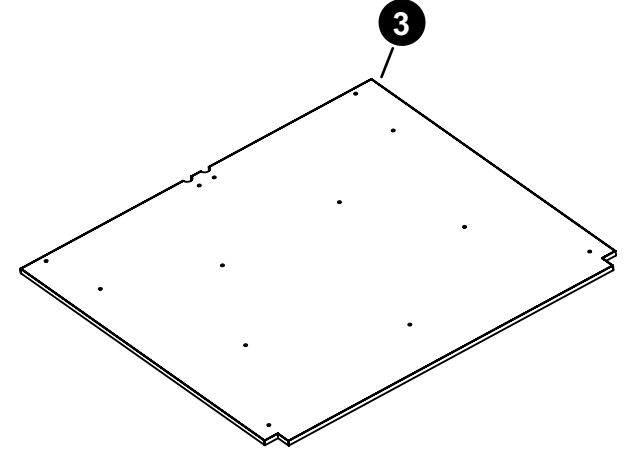
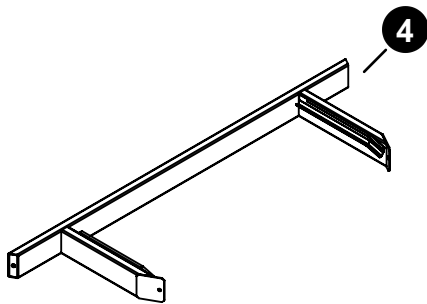


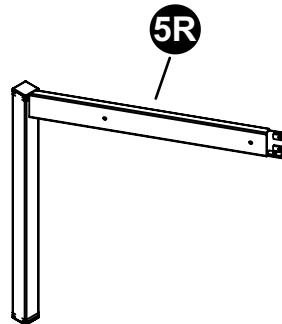
TABLE TOP WITH ROLLERS
4A-8222-01
(QTY. 2)



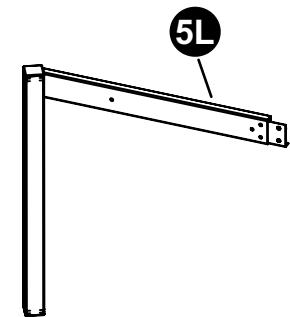
BOTTOM BOARD (PRE-DILLED)
4A-8223-01
(QTY. 2)



LEG BRACE ASSEMBLY (BLACK)
1A-4147-01
(QTY. 2)



LEG ASSEMBLY (BLACK) - **RIGHT**
1A-4145-02
(QTY. 2)



LEG ASSEMBLY (BLACK) - **LEFT**
1A-4146-02
(QTY. 2)

PARTS LIST (NOT ACTUAL SIZE)

T8591W / WHITE TABLE

*If you have a **white** table use these part numbers for re-order

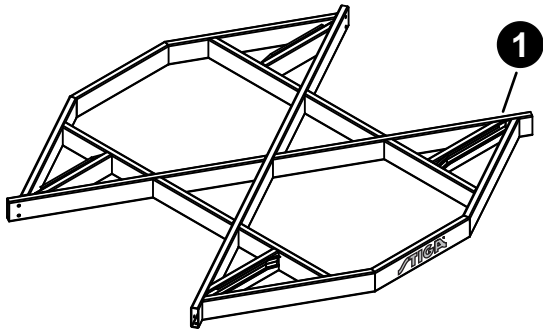


TABLE FRAME (WHITE)
1A-4144-02
(QTY. 1)

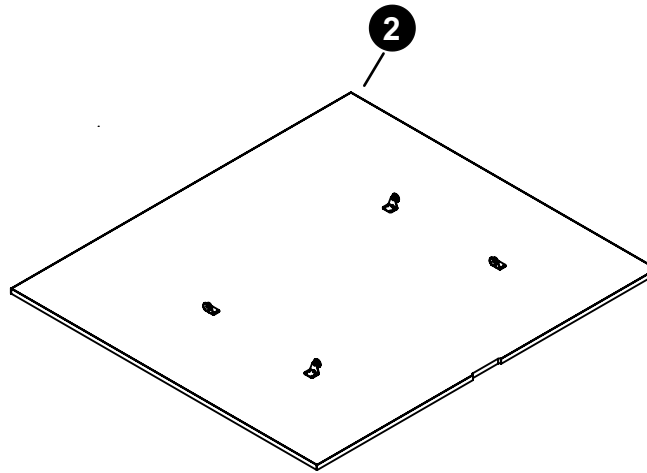
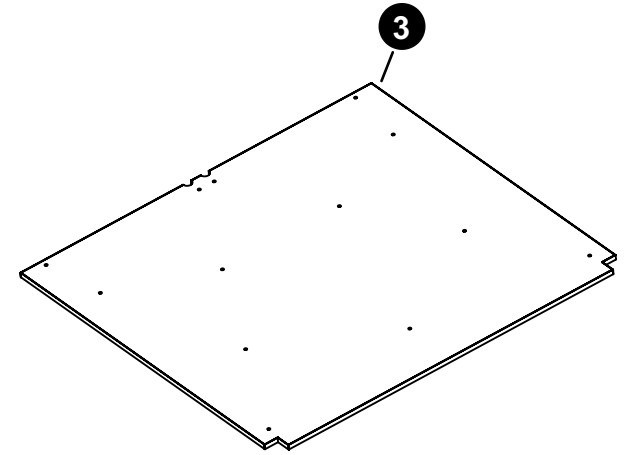
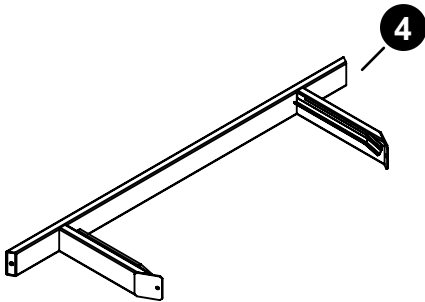


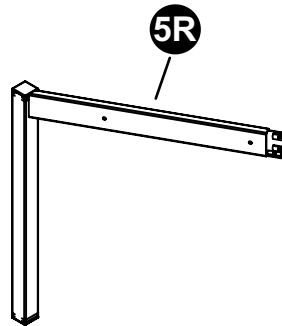
TABLE TOP WITH ROLLERS
4A-8222-01
(QTY. 2)



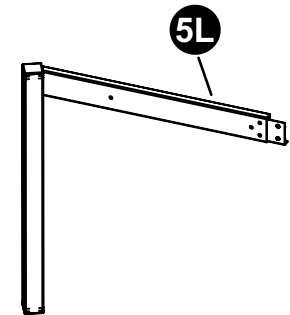
BOTTOM BOARD (PRE-DILLED)
4A-8224-01
(QTY. 2)



LEG BRACE ASSEMBLY (WHITE)
1A-4147-02
(QTY. 2)

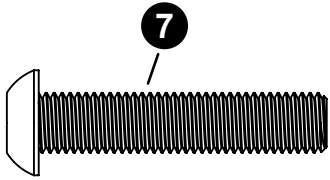


LEG ASSEMBLY (WHITE) - RIGHT
1A-4145-04
(QTY. 2)

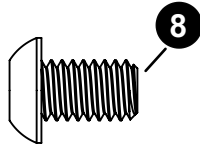


LEG ASSEMBLY (WHITE) - LEFT
1A-4146-04
(QTY. 2)

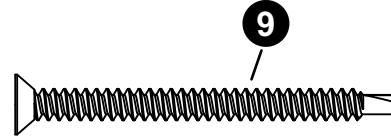
HARDWARE IDENTIFIER (ACTUAL SIZE)



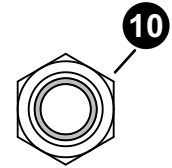
5/16-18 X 1 1/2" BUTTON
HEAD CAP SCREW
1B-4166M00
(QTY. 8)



5/16-18 X 1/2" BUTTON HEAD
CAP SCREW
1B-4165M00
(QTY. 12)

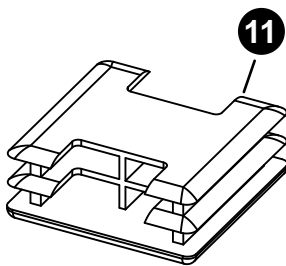


#12 X 2 " FLAT HEAD
SELF DRILLING SCREW
1B-4168M00
(QTY. 26)

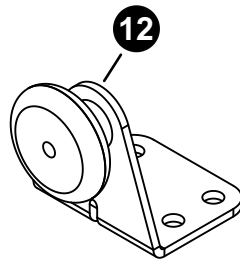


5/16"-18 LOCK NUT
2B-6009M02
(QTY.4)

PRE-ASSEMBLED PARTS

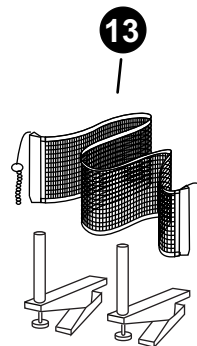


2 X 2 LEG TUBE PLUG
3M-6248-00
(QTY. 8)

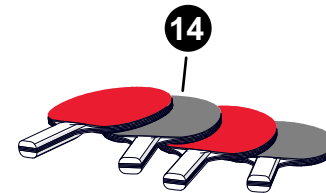


BRACKET WITH ROLLER
1A-4148-00
(QTY. 8)

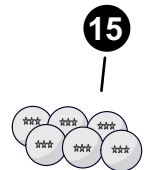
ACCESSORIES



NET & POST SET
5A-4276M00
(QTY. 1)



PADDLE
T1270
(QTY. 4)

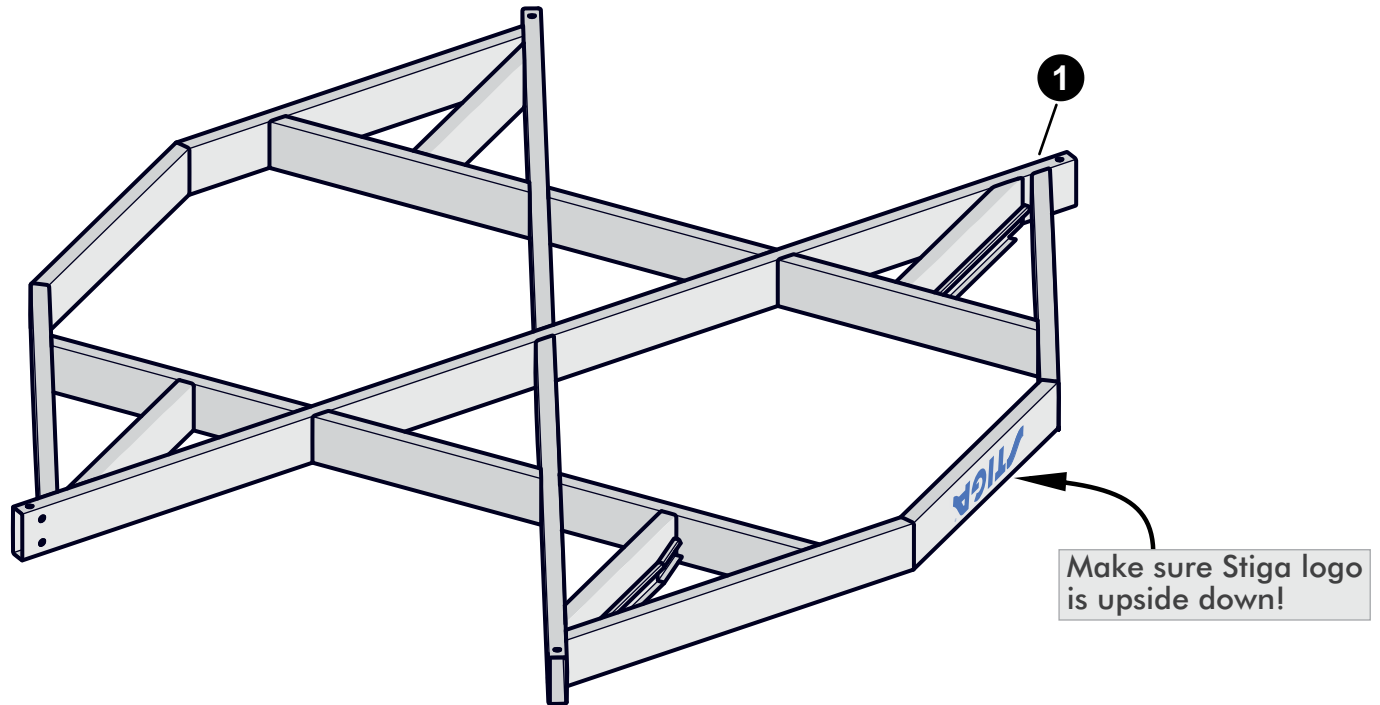


Ball set (6pk)
T1432
(QTY. 2)

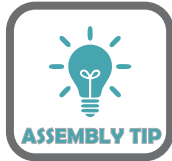
THE FOLLOWING STEP REQUIRES 2 CAPABLE ADULTS.

Prepare a flat area that is clear of debris, use the cardboard box and packing material to protect the table components. Keep children away from the assembly area.

1. With the help of another adult take the Table Frame #1 out of the box and set it on with the **Stiga logo** upside down on cardboard.



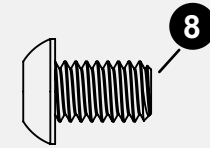
TOOLS NEEDED



The following pages will have a picture of the **Hardware Needed** along with the Quantity, Part Number and Description. You can lay the hardware on the picture to identify the hardware.



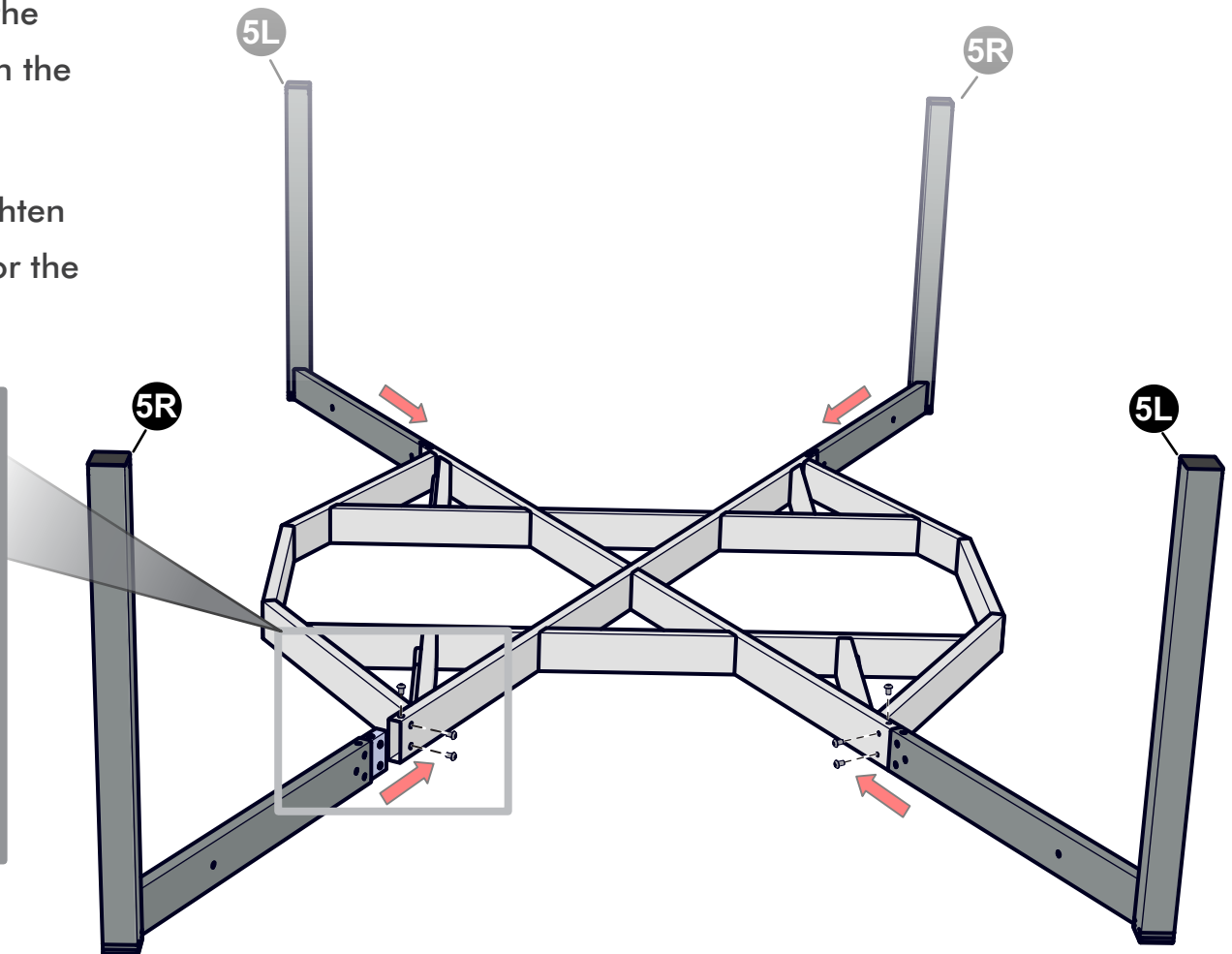
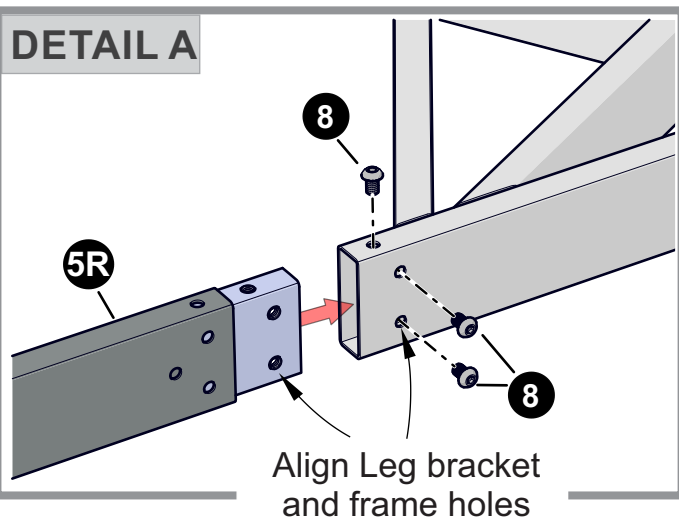
HARDWARE NEEDED (ACTUAL SIZE)



5/16-18 X 1/2" BUTTON
HEAD CAP SCREW
1B-4165M00
(QTY. 12)

Use the cardboard box and packaging materials to protect all the components.

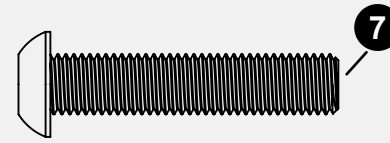
2. Insert legs into the table frame, match the holes in the leg bracket with the holes in the Frame as shown in **Detail A**.
3. Hand start all three **#8** screws, then tighten completely with Allen wrench. Repeat for the remaining legs.



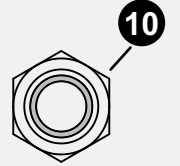
TOOLS NEEDED



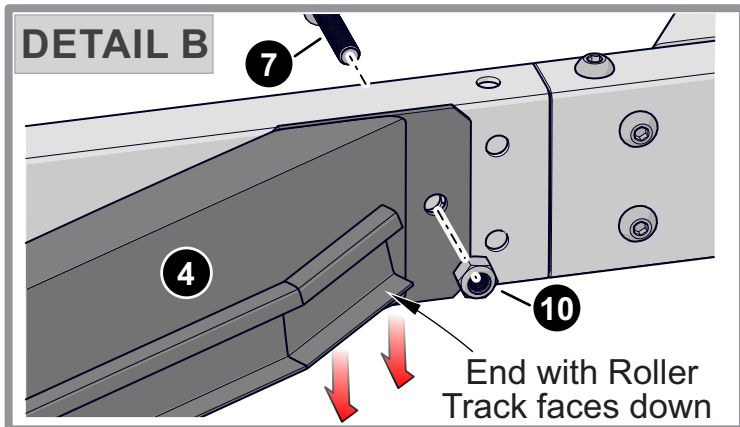
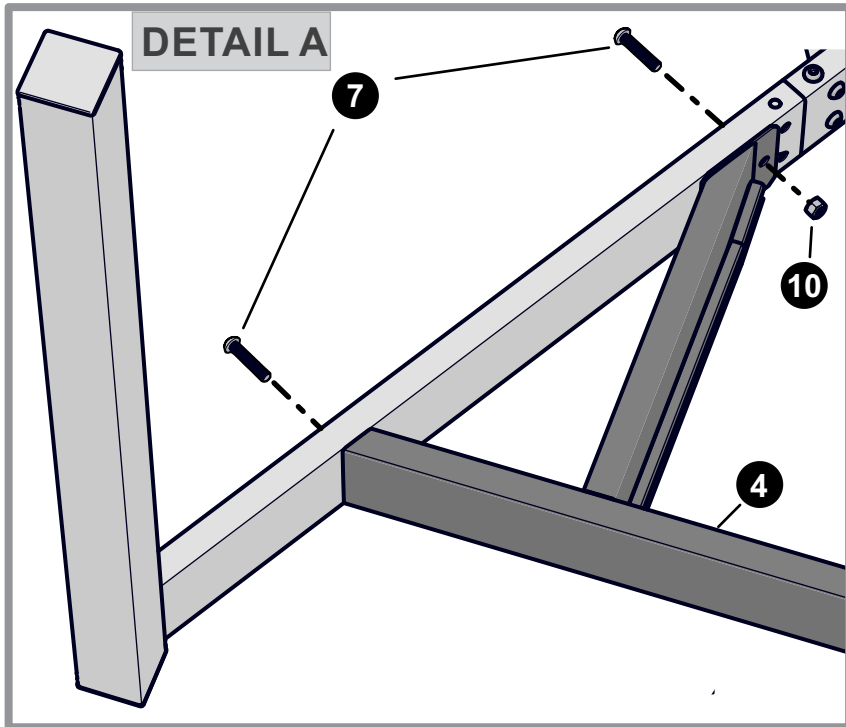
HARDWARE NEEDED (ACTUAL SIZE)



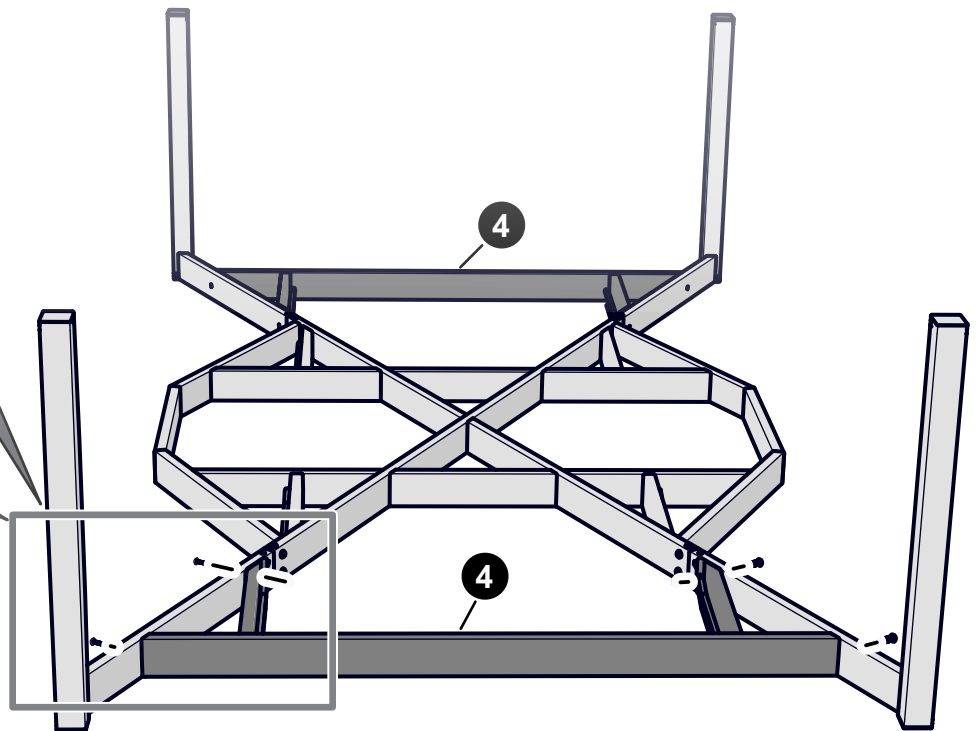
5/16-18 X 1 1/2" BUTTON
HEAD CAP SCREW
1B-4166M00
(QTY. 8)



5/16"-18 LOCK NUT
2B-6009M02
(QTY.4)



4. Attach Leg Brace assemblies with **#7** Screw & **#10** Nut as shown in **Detail A** & **Detail B**.



THE FOLLOWING STEP REQUIRES 2 CAPABLE ADULTS.

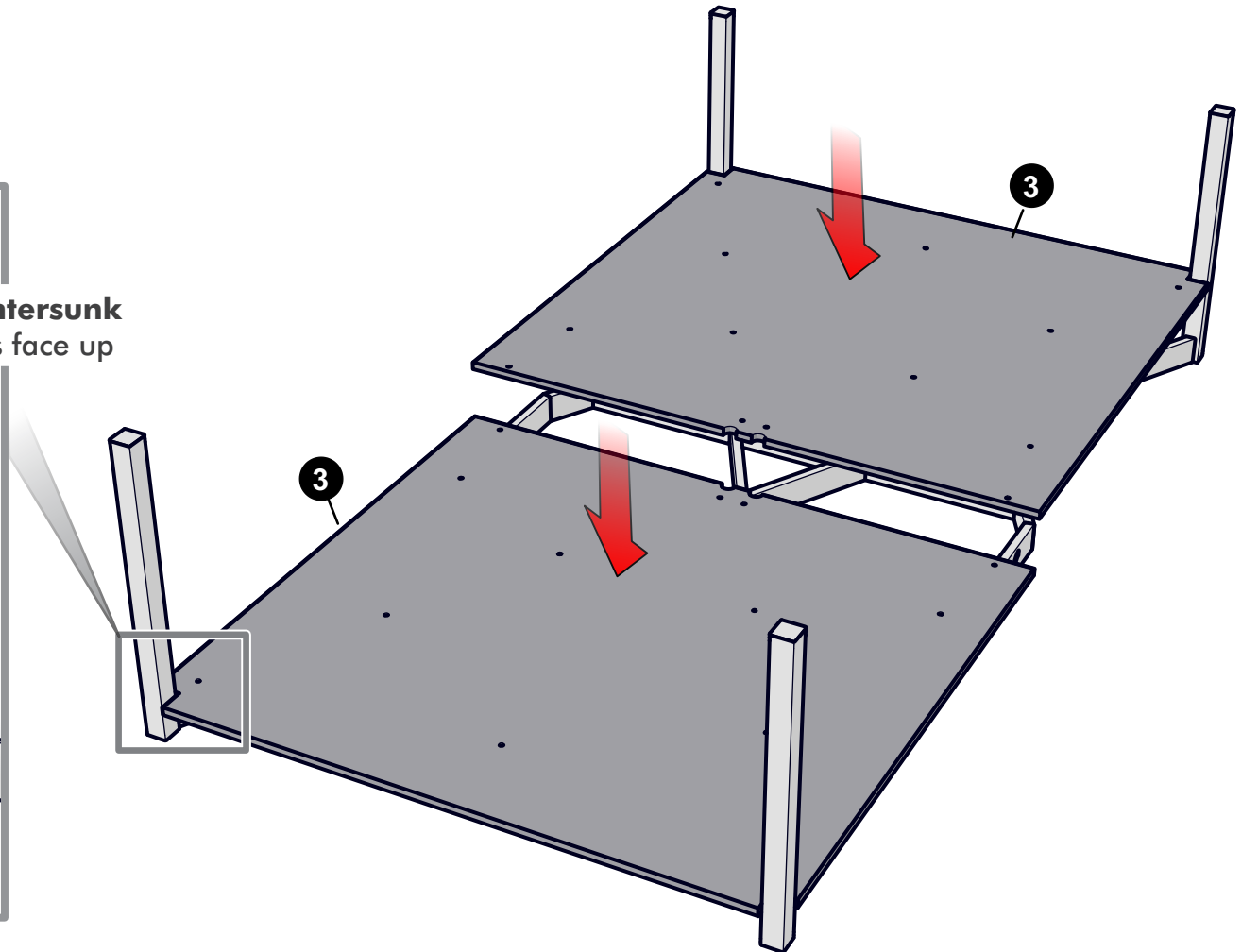
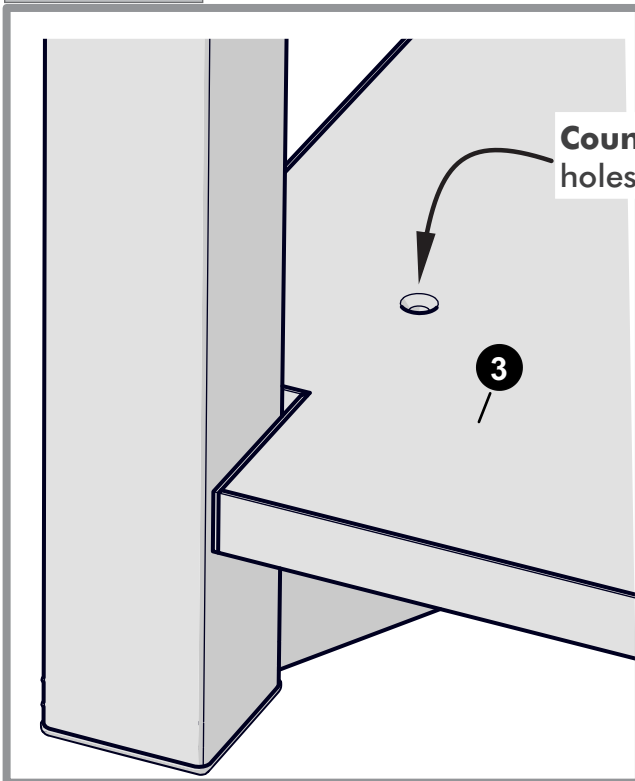
5. With the help of another adult set the Bottom Boards

#3 on the Frame assembly as shown in **Detail A**.

Make sure the countersunk holes face up!

Center the bottom boards side to side and end to end.

DETAIL A



TOOLS NEEDED



NOTE: When installing screws #9 the screw will first drill a hole in the metal tube and then screw in. Start at high RPM to drill the hole and apply pressure downward. Once screw starts to thread slow down the drill and finish threading the screw until snug.

HARDWARE NEEDED (ACTUAL SIZE)

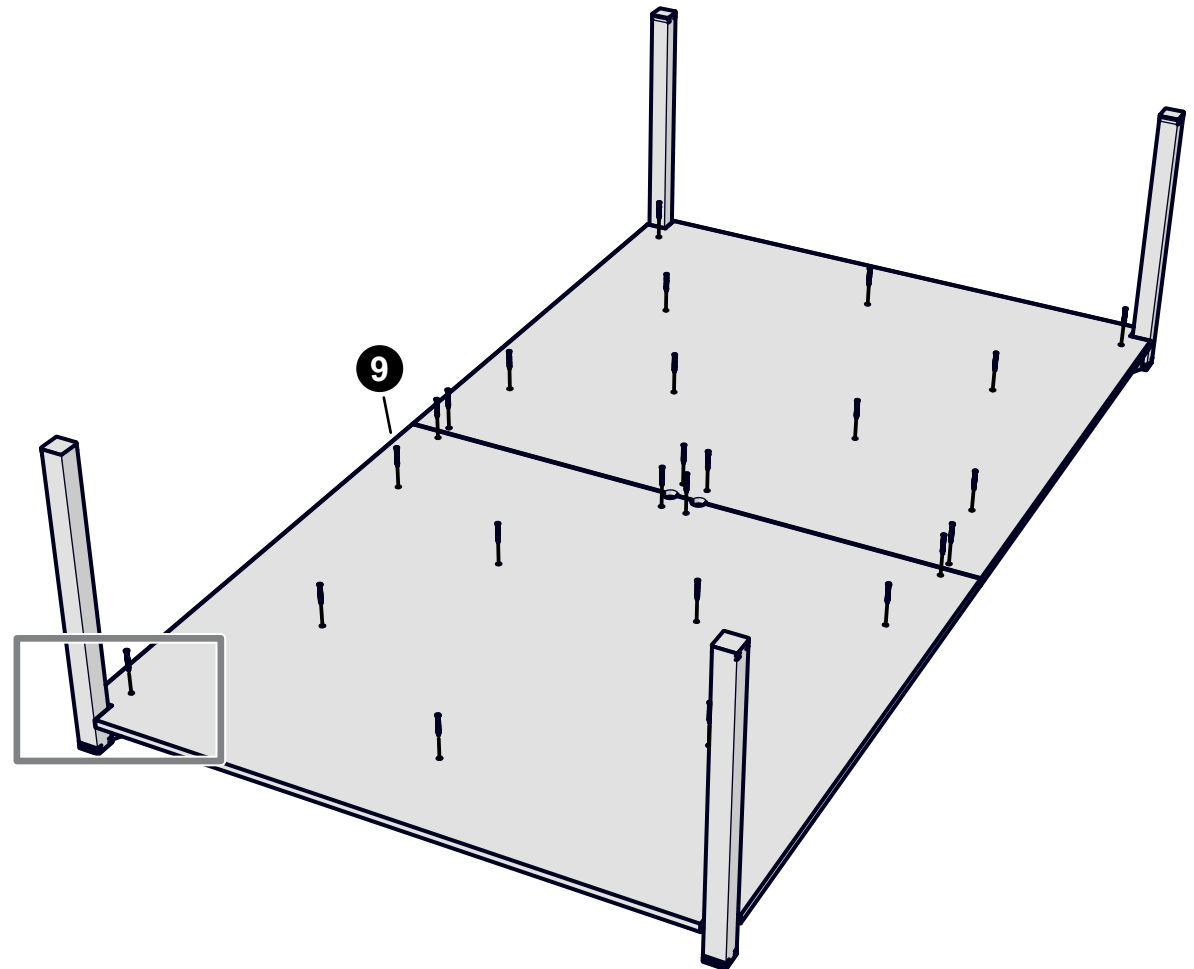
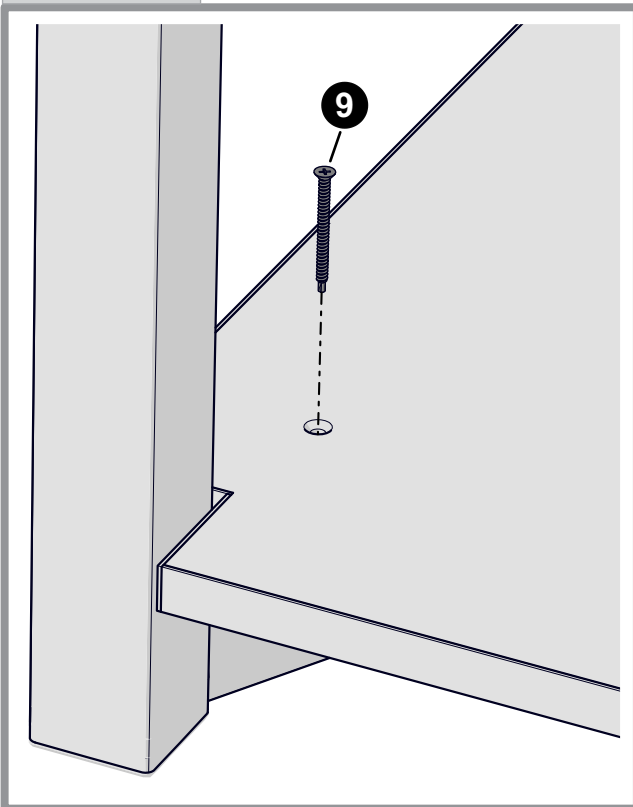


#12 X 2 " FLAT HEAD SELF
DRILLING SCREW
1B-4168M00

(QTY. 26)

6. Make sure Bottom Boards are aligned, then screw #9 through the table and into the metal Frame. See **Detail A**.

DETAIL A

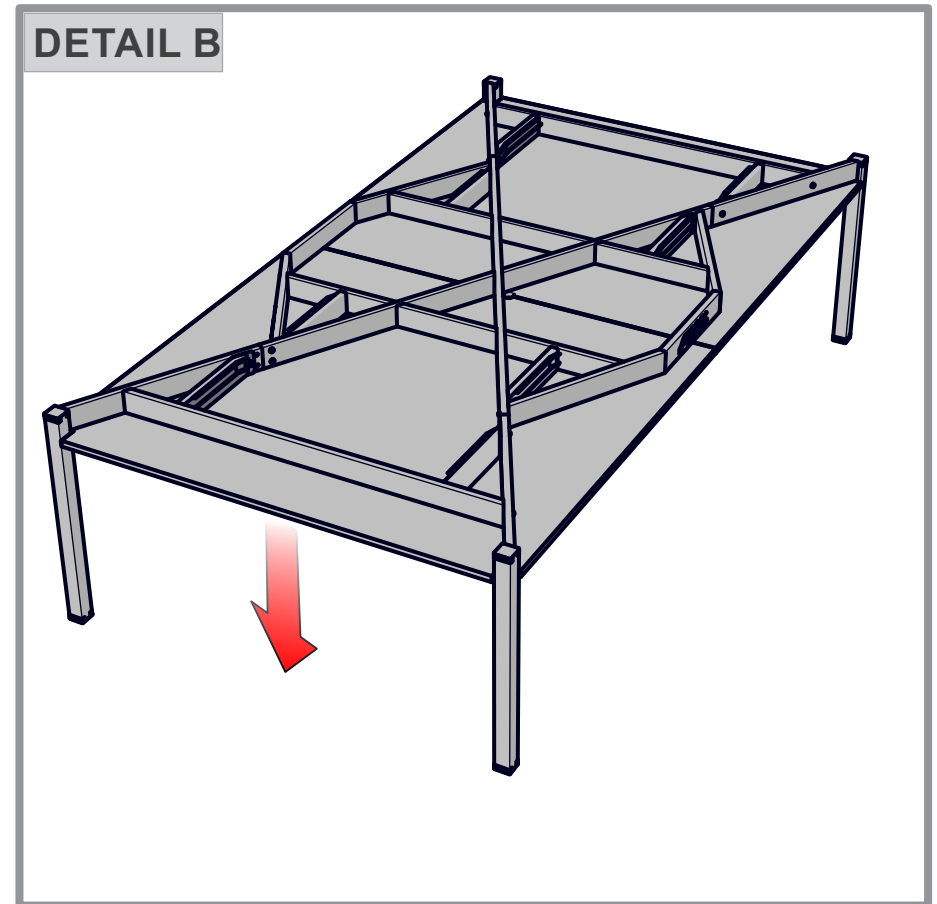
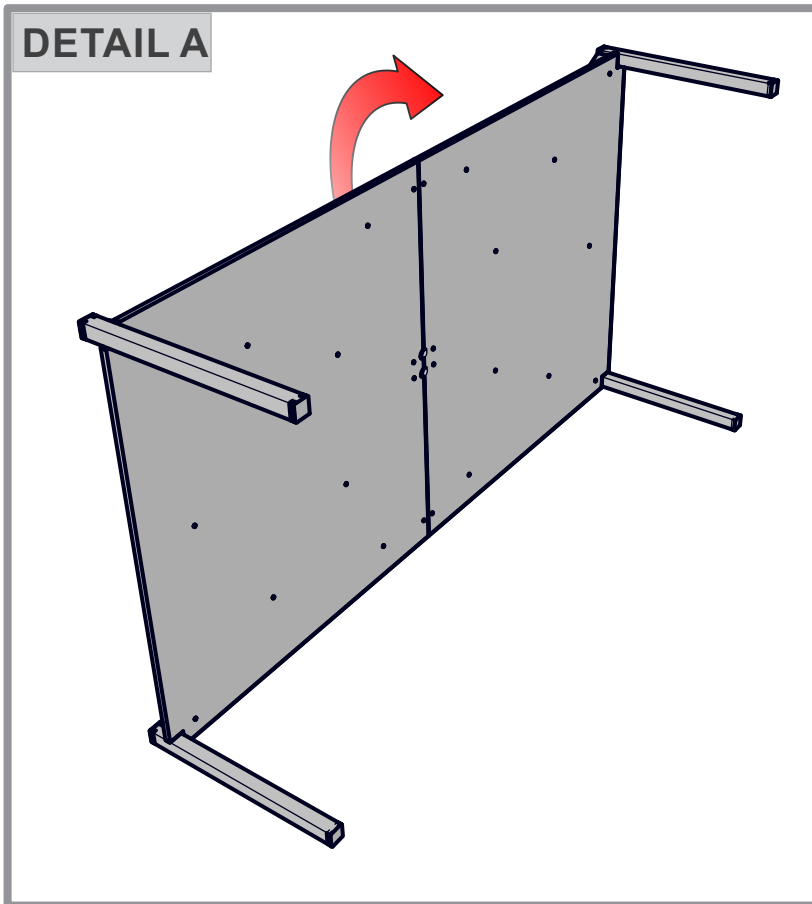


7. With at least **6** capable adults set the table on its side as shown in **Detail A**.

8. With at least **6** capable adults pick the table up completely and set it on its legs as shown in **Detail B**. **Do not** try to roll table over onto the legs, this will damage the legs!

! CAUTION !

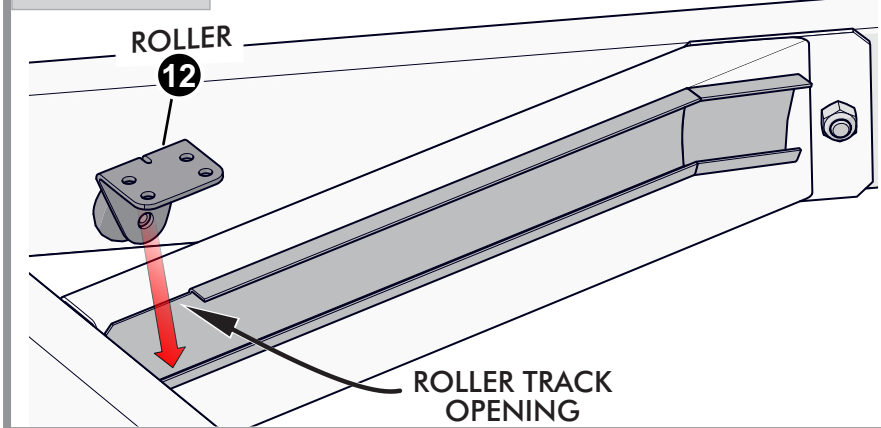
TURNING THE TABLE OVER REQUIRES AT LEAST SIX CAPABLE ADULTS. TABLE MUST BE COMPLETELY PICKED UP OFF THE FLOOR, NEVER ROLL ONTO JUST TWO LEGS THIS WILL BEND THE LEGS!



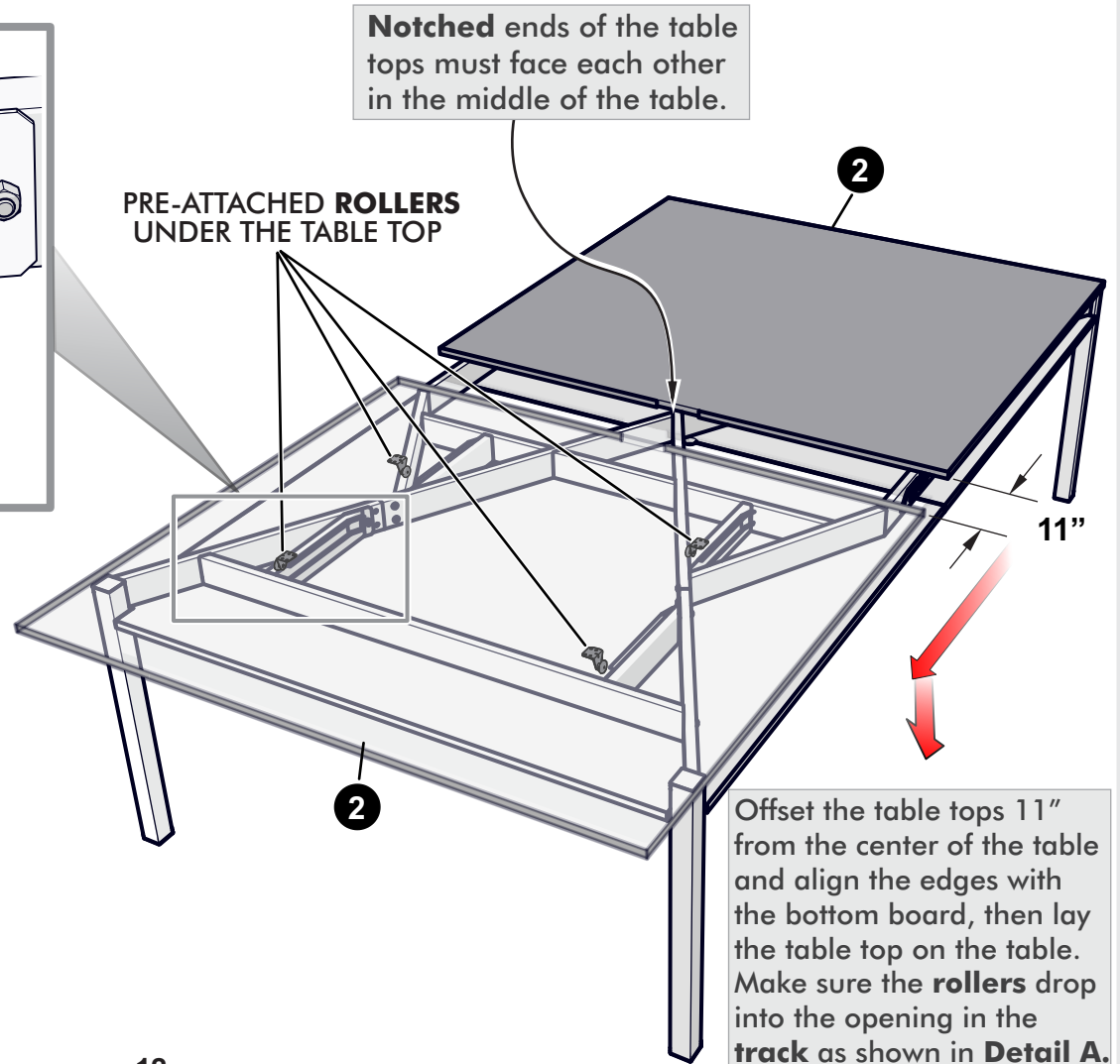
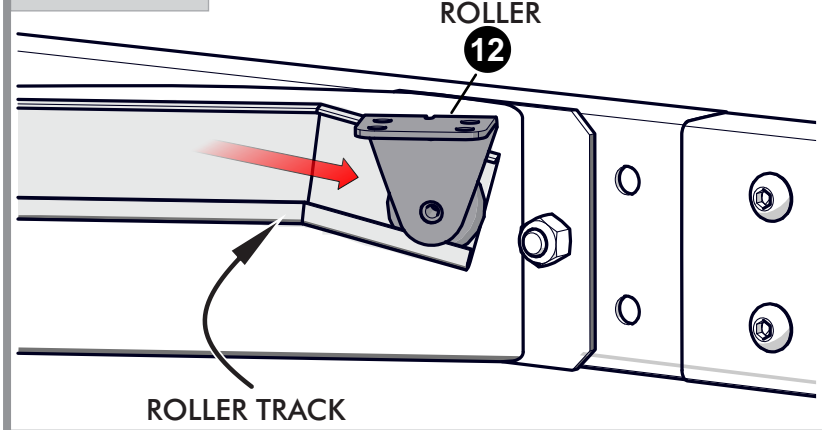
THE FOLLOWING STEPS REQUIRE **TWO** CAPABLE ADULTS.

9. With at least **two** capable adults lift the table top **#2** and position it about **11 inches** from the center of the table, then lower the top making sure **Rollers #12** drop into the opening in the **Tracks**. See **Detail A**.
10. Once all rollers are in the tracks, slide the table top toward the middle of the table until it stops as shown in **Detail B**. Repeat steps 9-10 for the second table top.

DETAIL A



DETAIL B



ONE YEAR LIMITED WARRANTY

This consumer warranty extends to the original consumer purchase of any ESCALADE® SPORTS Product (hereinafter referred as the "Product").

WARRANTY DURATION: This Product is warranted to the original consumer purchase of a period of one (1) year from the original purchase.

WARRANTY COVERAGE: ESCALADE SPORTS warrants to the original Consumer Purchaser that any Product of its manufacture is free from defects in material and workmanship when used for the intended purpose under normal use and conditions. THIS WARRANTY IS VOID IF THE PRODUCT HAS BEEN DAMAGED BY ACCIDENT, UNREASONABLE USE, NEGLIGENCE, IMPROPER SERVICE, FAILURE TO FOLLOW INSTRUCTIONS PROVIDED WITH THE PRODUCT OR OTHER CAUSES NOT ARISING OUT OF DEFECTS IN MATERIAL AND WORKMANSHIP.

WARRANTY PERFORMANCE: During the above one (1) year warranty period, ESCALADE SPORTS shall repair or replace with a comparable model, and Product, or component thereof, which may prove defective under normal use and proper care, and which our examination shall disclose to our satisfaction to be thus defective, please contact our Warranty Dept.

1-866-873-3528 / Warranty Dept.

Or Write us at:

Escalade® Sports, Inc. - P.O. Box 889, Evansville, IN 47706 - Attn: Warranty Dept.

Or E-mail us at:

customerservice@escaladesports.com

Other than shipping requirements no charge will be made for such repair or replacement of in-warranty Products. ESCALADE® SPORTS strongly recommends that the Product is insured for value prior to mailing.

WARRANTY DISCLAIMERS: ANY IMPLIED WARRANTIES ARISING OUT OF THIS SALE, INCLUDING BUT NOT LIMITED TO THE IMPLIED WARRANTIES OF MERCHANTABILITY AND FITNESS FOR A PARTICULAR PURPOSE, ARE LIMITED IN DURATION TO THE ABOVE ONE (1) YEAR WARRANTY PERIOD. ESCALADE® SPORTS SHALL NOT BE LIABLE FOR LOSS OF USE OF THE PRODUCT OR OTHER CONSEQUENTIAL OR INCIDENTAL COSTS, EXPENSES OR DAMAGES INCURRED BY THE CONSUMER OF ANY OTHER USE.

Some states do not allow the exclusion or limitation of implied warranties or consequential or incidental damages, so the above limitations or exclusions may not apply to you.

LEGAL REMEDIES: This warranty gives you specific legal rights and you may also have other rights which may vary from state to state.

CARE AND MAINTENANCE

You have purchased a quality product that will give you years of enjoyment. By following these simple maintenance steps, you will add to the life of your new table.

THE TABLE TOP

The top (playing surface) of your table is made of particle board or MDF. Like all products made of wood, it can be affected by atmospheric changes in both temperature and humidity. This may cause a slight sag or distortion as the top expands or contracts. This is normal and should not cause concern as it does not detract from the play or utility value of the table. After assembly of the table, you can minimize the effects of temperature and humidity changes by storing the table in the folded up position in a dry area when table is not in use.

STORAGE OF YOUR TABLE

This table must be stored indoors to prevent damage to the playing surface. Dampness and extreme temperature changes can cause the wood to warp, swell, crack or blister. When your table is not in use, it should be folded up in a dry area. Due to the nature of particle board, table top may bow. Damp and humid conditions will amplify this. This is normal and will not affect playability of table.

CLEANING YOUR TABLE

To clean your table use a soft, damp (NOT WET) cloth only. To prevent damage to your table's playing surface, DO NOT USE ANY CHEMICALS, ABRASIVE OR CLEANING PRODUCTS on your table's playing surface.

MAINTENANCE OF YOUR TABLE

Be sure to oil all moving parts of your table including the pivot points. This will insure the safety and ease of use of your table.

This table must be kept indoors to prevent damage to the playing surface. Dampness and extreme temperature changes which occur on patios or similar areas can cause wood to warp, swell, crack or blister.

UNEVEL FLOORS

If table does not seem level, it is probably due to uneven or unlevel floors. Set the table in its PLAYING POSITION and move table several inches in different directions to find the best location for the table. If the floor is extremely unlevel, table may not play or operate properly. If table is high in the center, shim up under the legs.