



TABLE TENNIS TABLE

MODEL NO.

T8561

OWNER'S MANUAL

1. **Read this manual carefully before starting assembly.** Read each step completely before beginning each step.
2. **Some smaller parts may be shipped inside larger parts. Check inside all parts and cartons before assembling or ordering parts.**
3. **Do not tighten hardware until instructed to do so.** If hardware is tighten too soon, mounting holes may not align and parts may not easily fit together. Leave locknuts slightly loose until you are instructed to tighten them.
4. **Tools required for assembly:** Phillips Screwdriver, Adjustable Wrenches, Rubber Hammer, 8mm Wrench, and 10mm wrench.
5. To make assembly as easy as possible, place all parts of the table in a cleared area and remove the packaging material. Do not remove parts from bags until you are ready to assemble that part. Do not dispose of the packing material until assembly is completed. For help in identifying parts, use the the **Parts List, Hardware Identification** and the **Exploded Drawings**.
6. An electric screwdriver is helpful in assembly. However, please set at low torque and use caution because you could overtighten the hardware and strip the screws.

Please Do Not Return This Product To The Store!

Contact Escalade® Sports customer service department at:

Phone: 1-866-873-3528 Toll-Free!

Fax: 1-866-873-3533 Toll-Free!

E-mail: tabletennis@escaladesports.com

Mailing Address(correspondence only):

Escalade Sports
PO box 889
Evansville, IN 47706

Please visit our World Wide Web site at: www.escaladesports.com

ON-LINE TROUBLE SHOOTING

TECHNICAL ASSISTANCE

ON-LINE PARTS REQUESTS

FREQUENTLY ASKED QUESTIONS

ADDITIONAL ESCALADE SPORTS PRODUCT INFORMANTION



2L-5057-00

Escalade®Sport products may be manufactured and/or licensed under the following patents.
6120397, 5816957, 5769744, 5119741, 4911085, 4717157, D460140, D420563

Additional patents may be pending. One or more of the listed patents and/or pending patents may cover specific product.

©2014 Escalade®Sports

THREE YEAR LIMITED WARRANTY

This consumer warranty extends to the original consumer purchase of any ESCALADE® SPORTS Product (hereinafter referred as the "Product").

WARRANTY DURATION: This Product is warranted to the original consumer purchase of a period of three (3) years from the original purchase.

WARRANTY COVERAGE: ESCALADE SPORTS warrants to the original Consumer Purchaser that any Product of its manufacture is free from defects in material and workmanship when used for the intended purpose under normal use and conditions. THIS WARRANTY IS VOID IF THE PRODUCT HAS BEEN DAMAGED BY ACCIDENT, UNREASONABLE USE, NEGLIGENCE, IMPROPER SERVICE, FAILURE TO FOLLOW INSTRUCTIONS PROVIDED WITH THE PRODUCT OR OTHER CAUSES NOT ARISING OUT OF DEFECTS IN MATERIAL AND WORKMANSHIP.

WARRANTY PERFORMANCE: During the above three (3) year warranty period, ESCALADE SPORTS shall repair or replace with a comparable model, and/or Product, or component thereof, for any product which may prove defective under normal use and proper care, and which our examination shall disclose to our satisfaction to be thus defective, please contact our Warranty Dept.

1-866-873-3528 / Warranty Dept.

Or Write us at:

Escalade® Sports, Inc. - P.O. Box 889, Evansville, IN 47706 - Attn: Warranty Dept.

Or E-mail us at:

tabletennis@escaladesports.com

Other than shipping requirements no charge will be made for such repair or replacement of in-warranty Products. ESCALADE® SPORTS strongly recommends that the Product is insured for value prior to mailing.

WARRANTY DISCLAIMERS: ANY IMPLIED WARRANTIES ARISING OUT OF THIS SALE, INCLUDING BUT NOT LIMITED TO THE IMPLIED WARRANTIES OF MERCHANTABILITY AND FITNESS FOR A PARTICULAR PURPOSE, ARE LIMITED IN DURATION TO THE ABOVE THREE (3) YEAR WARRANTY PERIOD. ESCALADE® SPORTS SHALL NOT BE LIABLE FOR LOSS OF USE OF THE PRODUCT OR OTHER CONSEQUENTIAL OR INCIDENTAL COSTS, EXPENSES OR DAMAGES INCURRED BY THE CONSUMER OF ANY OTHER USE.

Some states do not allow the exclusion or limitation of implied warranties or consequential or incidental damages, so the above limitations or exclusions may not apply to you.

LEGAL REMEDIES: This warranty gives you specific legal rights and you may also have other rights which may vary from state to state.

CAUTION

**THIS IS A TABLE TENNIS TABLE. DO NOT SIT, STAND, LEAN, WALK OR JUMP ON TABLE!
FAILURE TO COMPLY WITH THIS CAUTION COULD RESULT IN PERSONAL INJURY AND/OR
PROPERTY DAMAGE!**

UNEVEN FLOORS

If table does not seem level, it is probably because floor is not level. Move table several inches (set table in playing position) in different directions to find the best location for the table. If the floor is extremely unlevel, table may not play or operate properly. If table is high in the center, shim up under the outer legs.

CARE AND MAINTENANCE

You have purchased a quality product that will give you years of enjoyment. By following these simple maintenance steps you will add to the life of your new table. The top (playing surface) of your table is of aluminum construction. It can be affected by atmospheric conditions, meaning both temperature and humidity. This may cause a slight sag or distortion as top expands or contracts. This is normal and should not cause concern as it does not detract from the play or utility value of the table.

STORAGE OF YOUR TABLE

Wind gusts can blow over or unexpectedly open the table; Store in protected area. When your table is not in use, it should be folded up in a dry area.

CLEANING YOUR TABLE

To clean your table use a soft damp **NOT WET** cloth only. To prevent damage to your table's playing surface **DO NOT** use any chemicals, abrasive, or cleaning products on your table's playing surface.

IMPORTANT: Periodically, lubricate all moving parts, including pivot points, to assure smooth opening and closing. A light lubricant such as WD-40 is recommended.

HARDWARE IDENTIFICATION

12



1/4-20 X 2 1/4 Phillips Rd. Hd. Bolt (4 pieces)

10



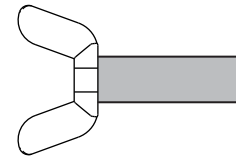
1/4-20 X 2 Carriage Bolt (4 pieces)

17



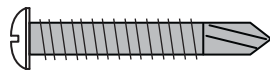
#10-24 X 2" Phillips Rd. Hd. Bolt (4 pieces)

28



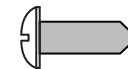
#10-24 X 3/4 Thumb Screw (4 pieces)

16



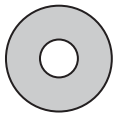
#8-32 X 1 1/4 Phillips Rd. Hd. Sms (8 pieces)

15



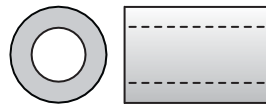
#8 X 1/2 Phillips Rd. Hd. Sms (100 pieces)

26



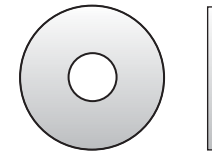
#10 Washer (8 pieces)

11



1/2 OD X .281 ID X 3/4 Long Plastic Spacer (4 pieces)

13



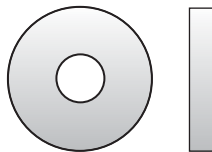
3/4 OD X 1/4 ID X 1/16 Thick Flat Plastic Washer (4 pieces)

19



#10-24 Locknut (4 pieces)

33



3/4 OD X 1/4 ID X 1/8 Thick Flat Plastic Washer (4 pieces)

14



1/4-20 Locknut (8 pieces)

NOTE: If casters came pre-assembled on Caster Beam (#8), skip to Step 2.

WARNING:
 READ AND FOLLOW ALL ASSEMBLY, OPERATING, AND SAFETY INSTRUCTIONS CAREFULLY. AT LEAST TWO (2) ADULTS ARE NEEDED TO PUT THIS TABLE TOGETHER!

- Slide a Caster Wheel **with** Lock (#30) into Caster Beam as shown in **FIGURE 1**. On the other end of the Caster Beam attach a Caster Wheel **without** Lock (#9). Make sure you have one Caster Wheel with lock and a Caster Wheel without lock for each Caster Beam. Repeat this step to attach the Casters to the second Caster Beam.

Parts Needed:

- 2 pcs - #8 Caster Beam
- 2 pcs - #9 Caster without lock
- 2 pcs - #30 Caster with lock

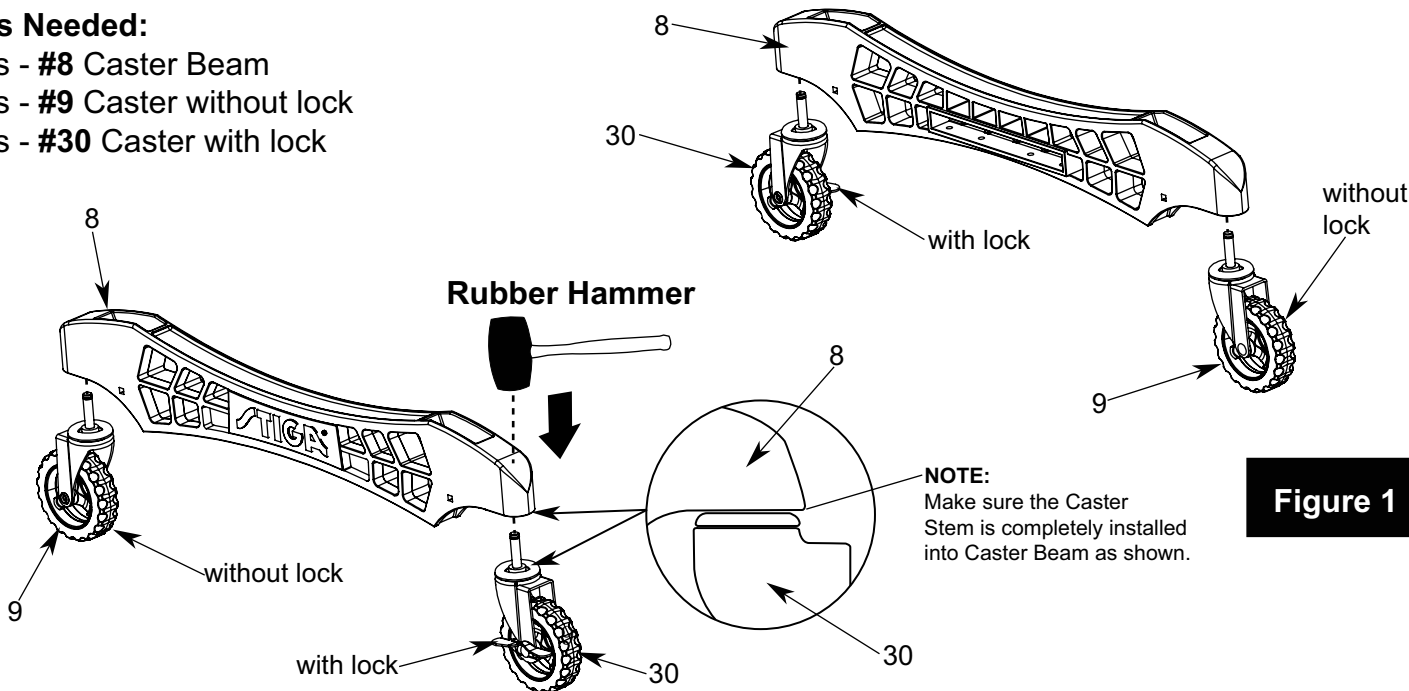


Figure 1

- Attach Cross Tube (#7) to Caster Beam Assemblies (#8) using four Thumb Screws (#28) as shown in **FIGURE 2**. Tighten bolts snug but **DO NOT** over tighten.

Parts Needed:

- 1 pc - #7 Cross Tube

Hardware Needed:

- 4 pcs - #28 #10-24 Thumb Screw

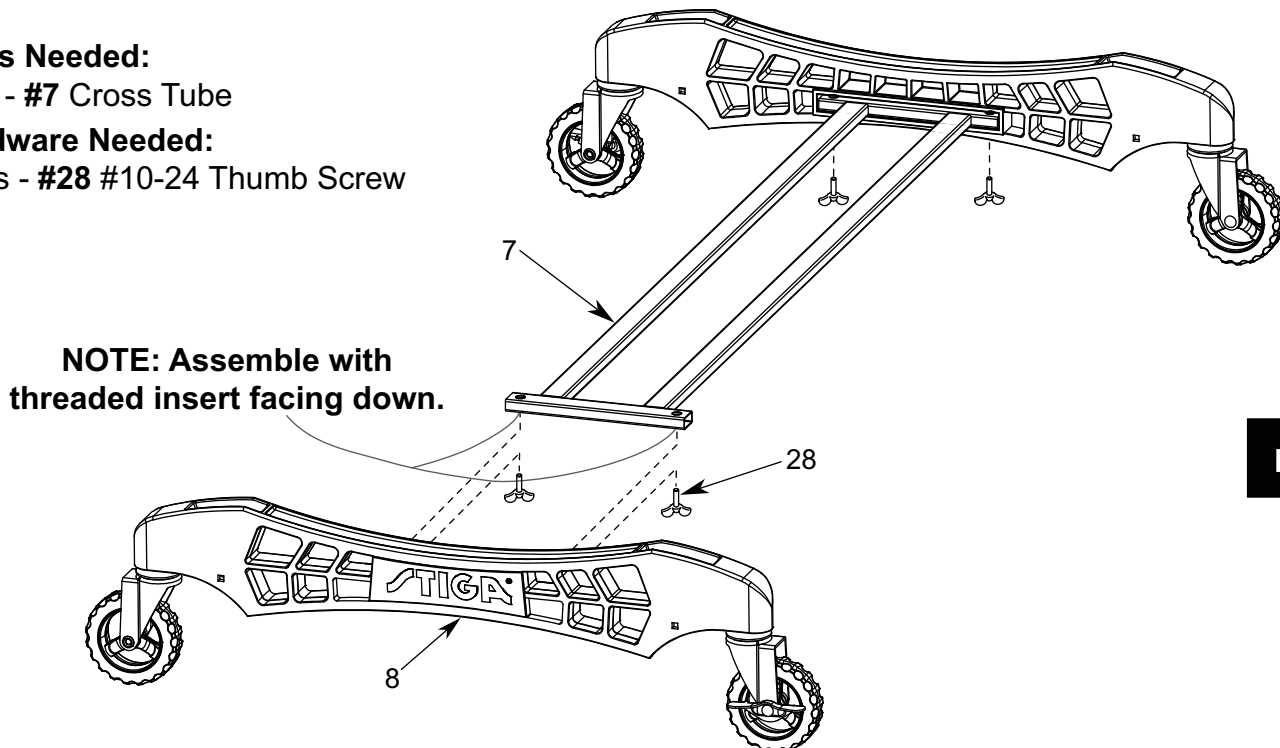


Figure 2

3. Attach four Strut Tubes (#4) to Caster Beam Assembly with four Carriage Bolts (#10) and four Locknuts (#14) as shown in **FIGURE 3**. Tighten nuts snug but **DO NOT** over tighten.

! WARNING:

READ AND FOLLOW ALL ASSEMBLY, OPERATING, AND SAFETY INSTRUCTIONS CAREFULLY. AT LEAST TWO (2) ADULTS ARE NEEDED TO PUT THIS TABLE TOGETHER!

Hardware Needed:

4 pcs - #10 Carriage Bolt

4 pcs - #14 Locknut

Parts Needed:

4 pcs - #4 Strut Tube

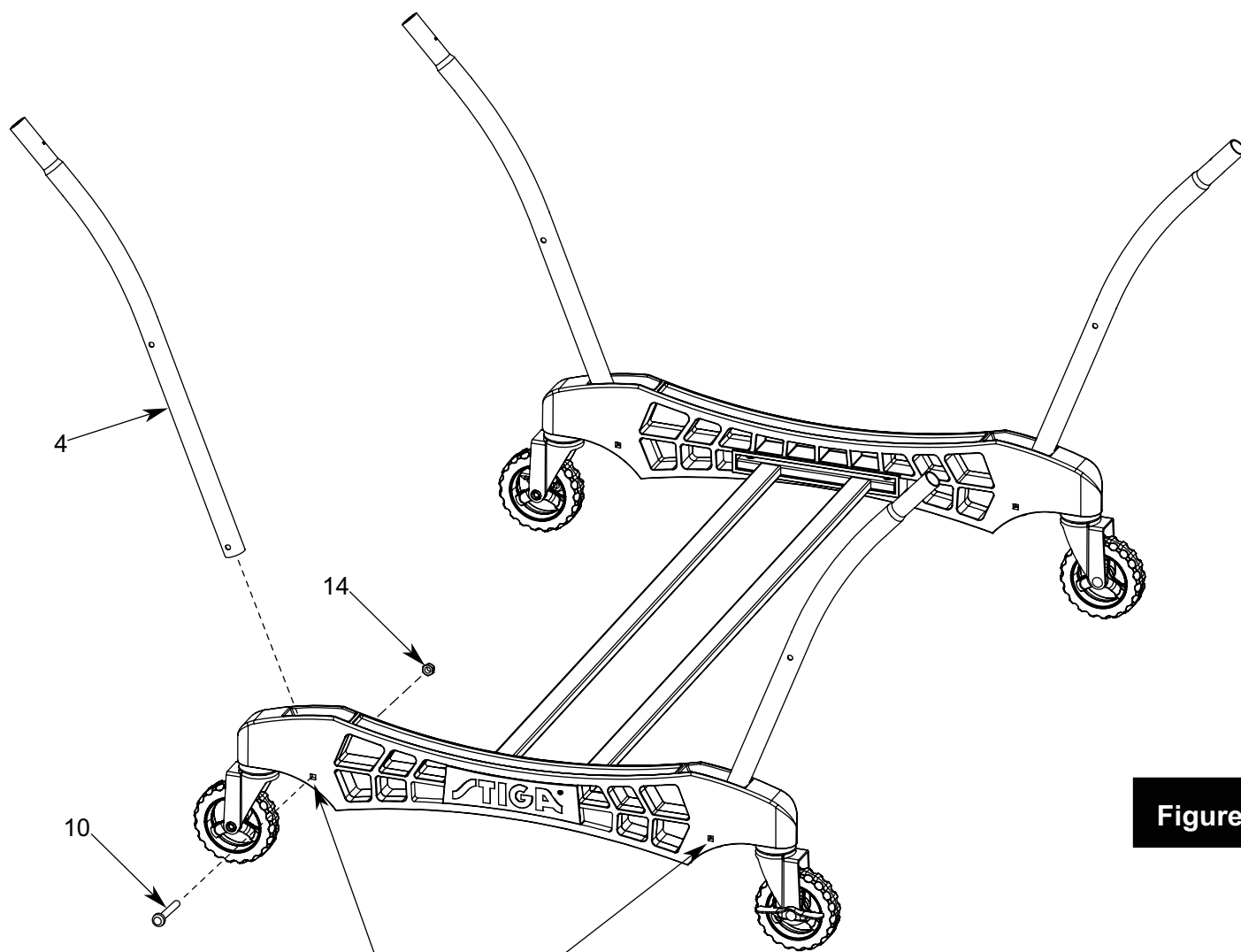


Figure 3

NOTE:
Snug, but **DO NOT** over-tighten these four pivot points.

4. **A)** Attach two 1" Plastic Clips (#23) to bottom of aluminum top assembly using four Screws (#15) as shown in **FIGURE 4** and **DETAIL B**.
- B)** Attach U-Leg (#1) with two 1-1/2" Plastic Tube Brackets (#27) as shown in **FIGURE 4** and **DETAIL A**. Attach with twelve Screws (#15). **CAUTION: Slots in Plastic Tube Brackets (#27) must face toward middle of table exactly as shown or the table will not operate properly.**
- C)** Attach U-Support (#3) with two 1" Plastic Tube Brackets (#24) as shown in **DETAIL B**. Attach with twelve Screws (#15). **CAUTION: slots in Plastic Tube Brackets (#24) must face toward middle of table exactly as shown or the table will not operate properly.**
- D)** Rotate U-Leg (#1) and U-Support (#3) until you see the screw hole in the slot of Tube Bracket (#27) and (#24). Slide U-Leg and U-Support side to side if necessary to see hole. See **DETAIL A & B**.
- E)** Thread two Screws (#16) through slot in Plastic Tube brackets (#24) & into U-Support (#3) and two Screws (#16) through slot in Plastic Tube Brackets (#27) & into U-Leg (#1) as shown in **DETAIL A & B**.
- F)** Slide two Plastic Leg Caps (#20) onto ends of U-Leg (#1).

Hardware Needed:

- 28 pcs - #15 Phillips Rd. Hd. Screw
- 4 pcs - #16 Phillips Rd. Hd. Screw

Parts Needed:

- 1 pc - #1 U-Leg-Silver
- 1 pc - #2 Aluminum Top Assembly
- 1 pc - #3 U-Support-Silver
- 2 pcs - #20 Plastic Leg Cap
- 2 pcs - #23 1" Plastic Clip
- 2 pcs - #24 1" Plastic Tube Bracket
- 2 pcs - #27 1-1/2" Plastic Tube Bracket

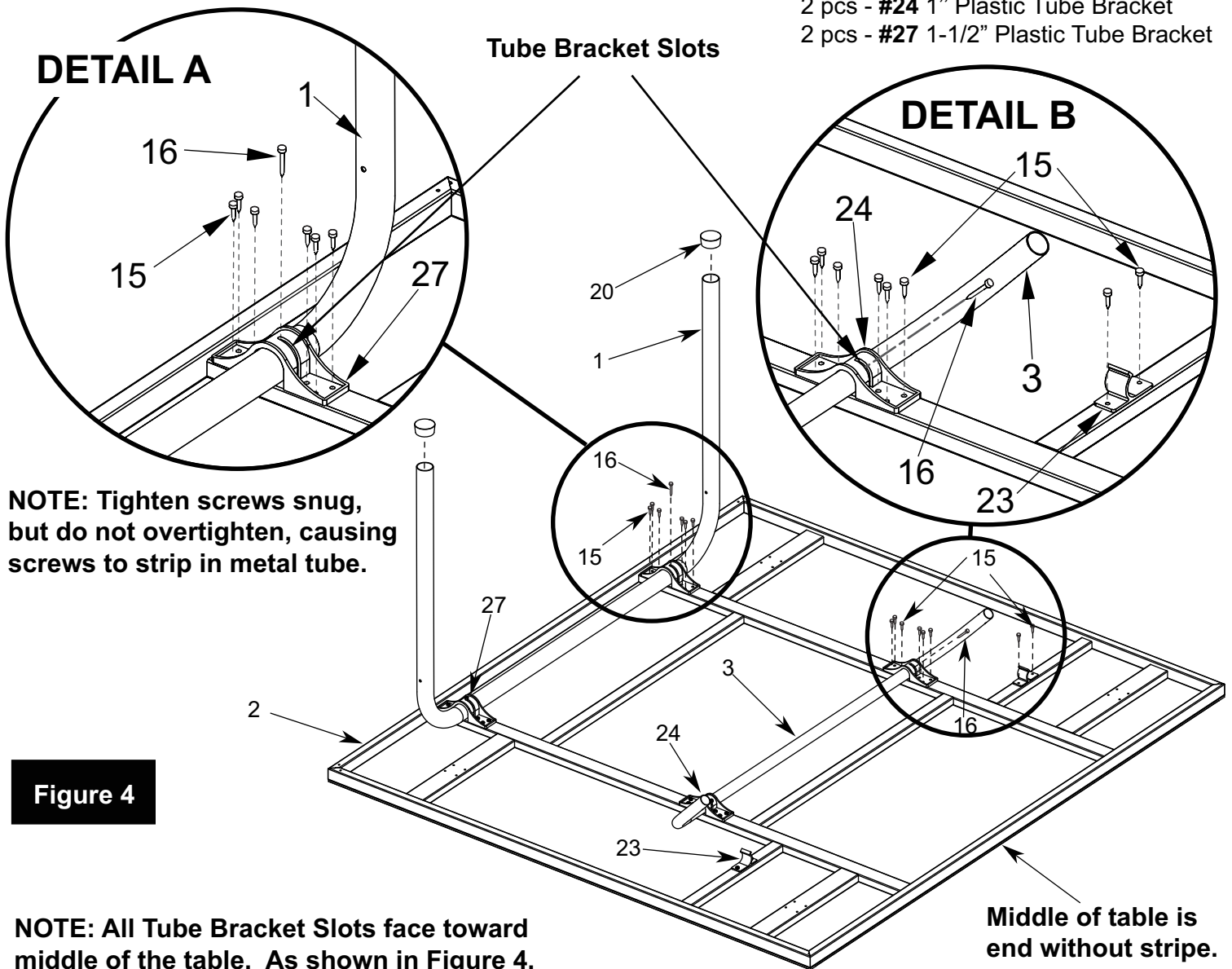


Figure 4

NOTE: All Tube Bracket Slots face toward middle of the table. As shown in Figure 4.

Middle of table is end without stripe.

5. A) Attach one LH short Hinge & Mounting Bracket Assembly (#18) using four Screws (#15) as shown in **DETAIL C**. Attach one RH short Hinge & Mounting Bracket Assembly (#6) using four Screws (#15) as shown in **FIGURE 5**. Attach two Long Hinge & Mounting Bracket Assemblies (#5) using eight Screws (#15) as shown in **DETAIL D & FIGURE 5**.

B) Attach LH short Hinge & Mounting Bracket Assembly (#18) and RH short Hinge & Mounting Bracket Assembly (#6) to U-Leg (#1) using two Bolts (#17) with two Thick Flat Plastic Washers (#33) and two Locknuts (#19) as shown in **FIGURE 5** and **DETAIL C**. **DO NOT OVERTIGHTEN** hinge must pivot.
Note: 1/8" Thick Plastic Washer (#33) goes between Hinge and Leg.

REPEAT STEPS 4-5 ON THE OTHER ALUMINUM TOP ASSEMBLY.

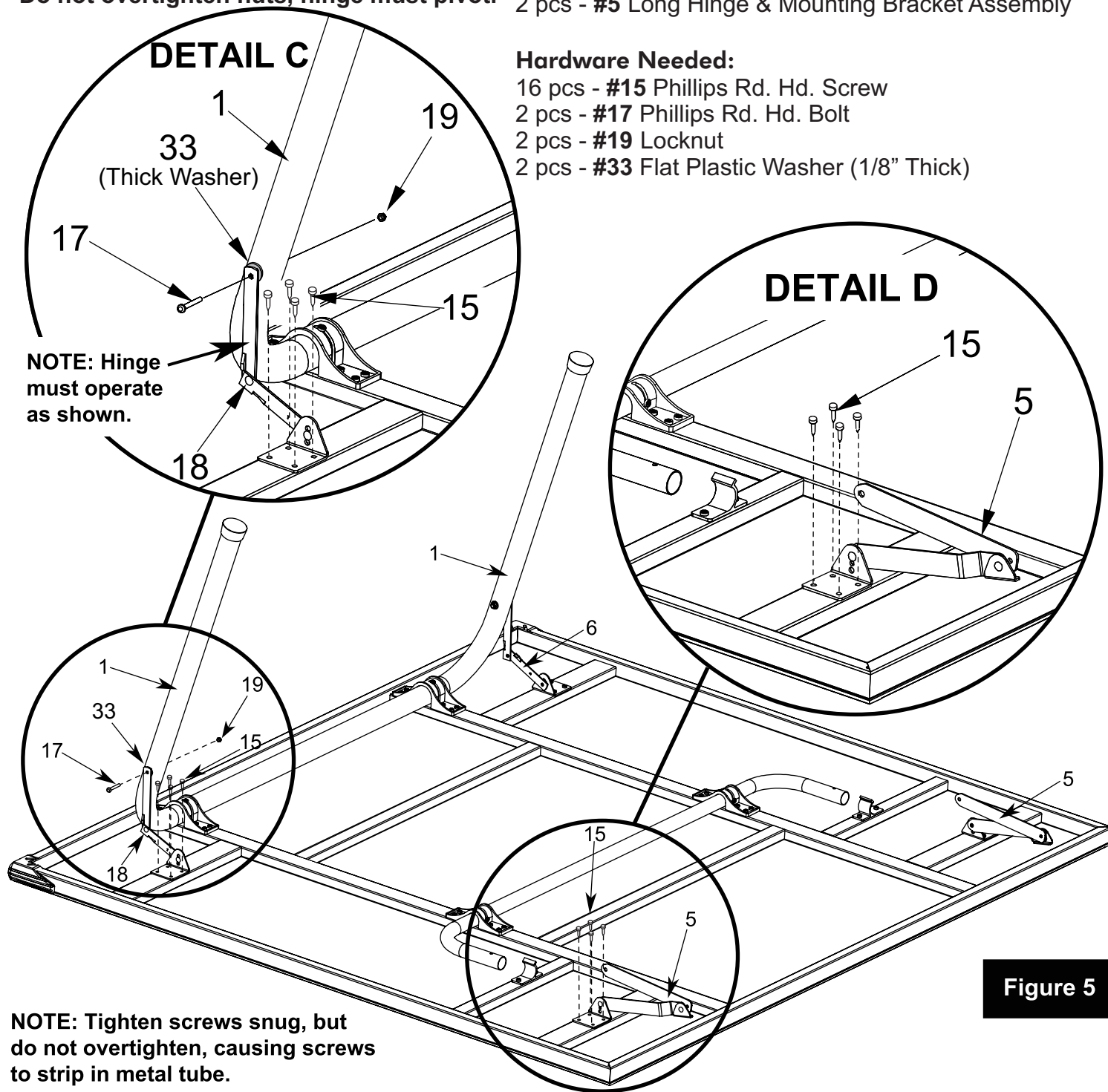
CAUTION: Hinges must be positioned exactly as shown or table will not operate correctly and could be damaged.
Do not overtighten nuts, hinge must pivot.

Parts Needed:

- 1 pc - #6 RH short Hinge & Mounting Bracket Assembly
- 1 pc - #18 LH short Hinge & Mounting Bracket Assembly
- 2 pcs - #5 Long Hinge & Mounting Bracket Assembly

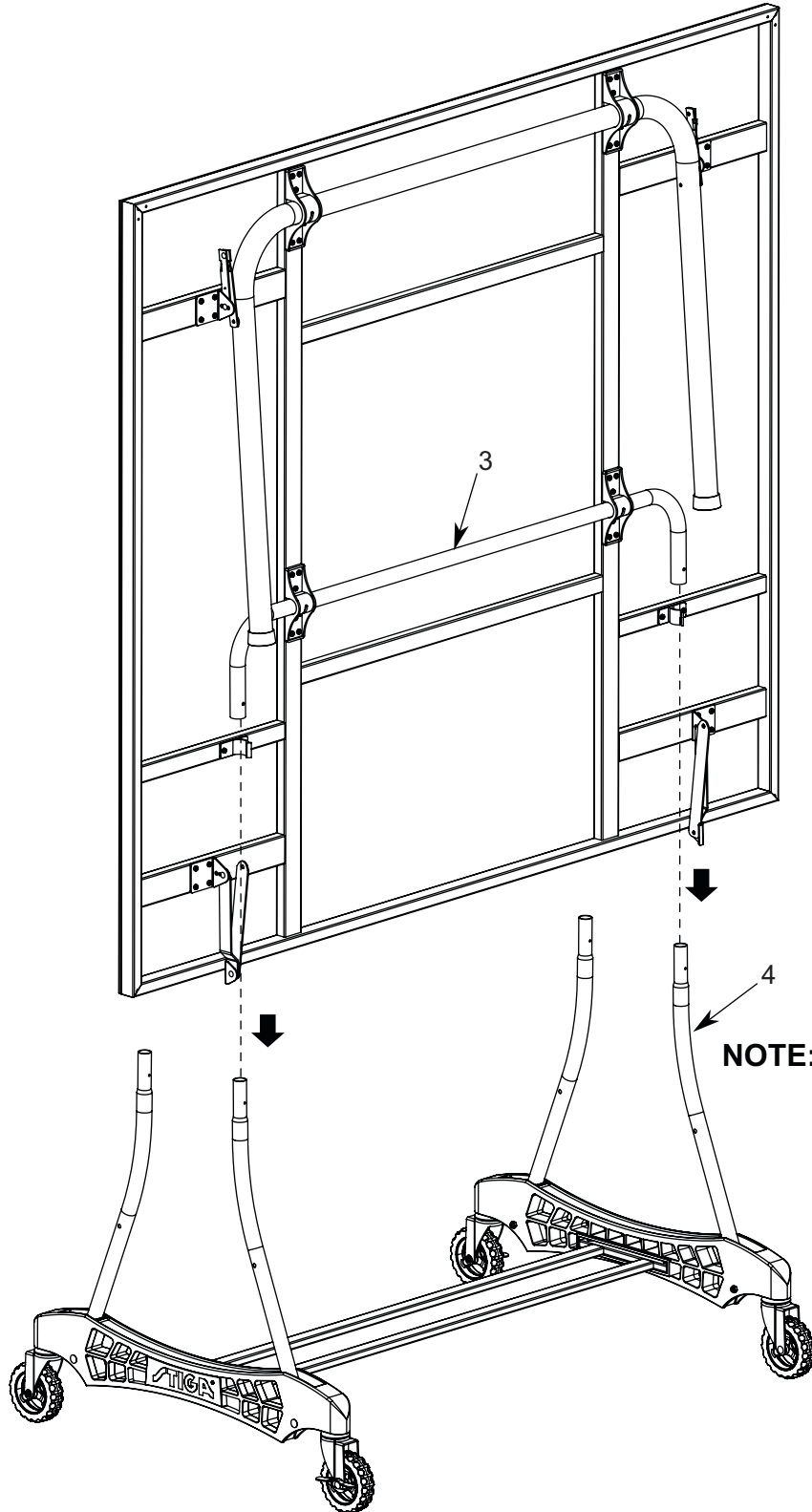
Hardware Needed:

- 16 pcs - #15 Phillips Rd. Hd. Screw
- 2 pcs - #17 Phillips Rd. Hd. Bolt
- 2 pcs - #19 Locknut
- 2 pcs - #33 Flat Plastic Washer (1/8" Thick)



6. Attach table top to base assembly. Pivot Strut Tubes (#4) up and then with at least one adult on each side of table top, lift top and align ends of U-support Tube (#3) with tops of strut tubes on caster beams as shown in **FIGURE 6**.

Slide tubes together. **Repeat for other Table Top.**



⚠ WARNING:

AT LEAST TWO (2) ADULTS ARE NEEDED TO COMPLETE THE REST OF THIS ASSEMBLY! WHEN ASSEMBLING TOPS TO BASE, HANDLE TOP ASSEMBLIES BY GRASPING ONLY THE TOPS THEMSELVES. DO NOT GRASP METAL LEGS, U-SUPPORT, LINKAGE, OR HINGES. THESE PARTS CAN MOVE AND COULD PINCH FINGERS OR HANDS CAUSING SERIOUS INJURY! ASSEMBLE AS SHOWN WITH LEGS FULLY CLOSED AND TOPS IN A VERTICAL POSITION. DO NOT OPEN LEGS AND TRY TO ASSEMBLE. TABLE TOPS ARE HEAVY - DO NOT ATTEMPT TO ASSEMBLE ALONE!

⚠ WARNING:

DO NOT OPEN THE TABLE TO PLAYING POSITION UNTIL BOTH TOPS ARE INSTALLED! DO NOT LEAVE TABLE STANDING UNATTENDED. IT COULD BE KNOCKED OVER CAUSING SERIOUS BODILY INJURY OR PROPERTY DAMAGE.

Figure 6

NOTE: PIVOT STRUT TUBES UP AS SHOWN.

7. Attach U-Support (#3) and Strut Tubes (#4) using two Screws (#15) as shown in **FIGURE 7**.

Note: If hinge (#5) is positioned as shown in **DETAIL E**, you will have to rotate the hinge to the position shown in **Detail F**. **DO NOT** unscrew the hinge, you can rotate the hinge without unscrewing it from the table. If you want to see a video on how to position Hinge (#5) go to: <http://www.escaladesports.com/customer-service/videos.html>

8. Attach Long Hinge & Mounting Bracket Assemblies (#5) to Strut Tubes (#4) using two Bolts (#12), two Spacers (#11), two Flat Plastic Washers (#13) and two LockNuts (#14) as shown in **FIGURE 7** and **DETAIL F**. Tighten Nuts snug, but **DO NOT OVERTIGHTEN**, hinges must pivot.

9. Attach two Corner Protectors (#25) to Top Assembly using four Screws (#15) with four Washers (#26) as shown in **FIGURE 7**. **Repeat for other Table Top.**

Hardware Needed:

- 2 pcs - #11 Spacer
- 2 pcs - #12 Phillips Rd. Hd. Bolt
- 2 pcs - #13 Flat Plastic Washer
- 2 pcs - #14 LockNut
- 6 pcs - #15 Phillips Rd. Hd. Screw
- 4 pcs - #26 Washer

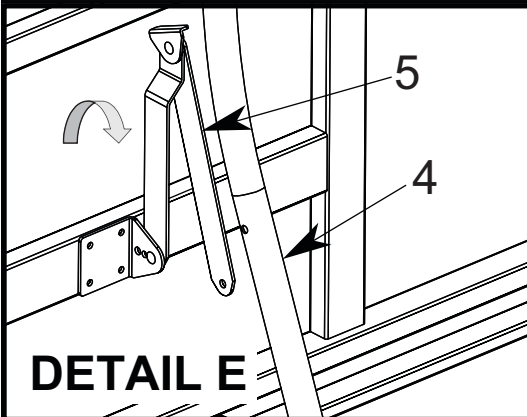
Part Needed:

- 2 pcs - #25 Corner Protector

WARNING:

DO NOT OPEN THE TABLE TO PLAYING POSITION UNTIL BOTH TOPS ARE INSTALLED! DO NOT LEAVE TABLE STANDING UNATTENDED. IT COULD BE KNOCKED OVER CAUSING SERIOUS BODILY INJURY OR PROPERTY DAMAGE.

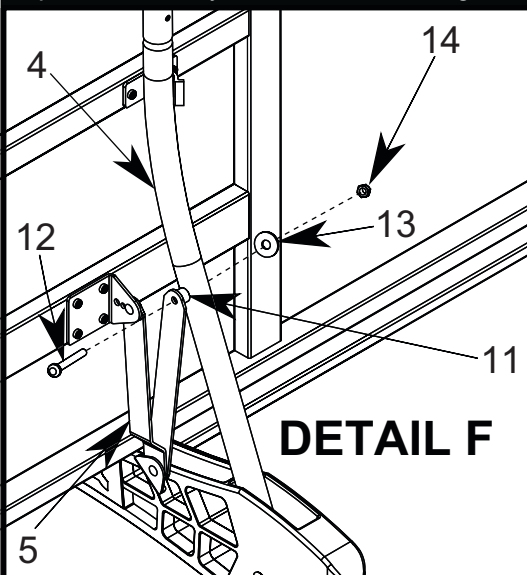
ATTENTION: If hinge is positioned as shown below (**DETAIL E**), rotate the hinge as shown in **DETAIL F**. Do not take hinge off.



DETAIL E

INCORRECT POSITION OF HINGE

CAUTION: Position hinges exactly as shown in **DETAIL F** or table will not operate correctly and could be damaged.



DETAIL F

CORRECT POSITION OF HINGE

In the correct position Hinge (#5) will look like a "V" when attached to Strut Tube (#4).

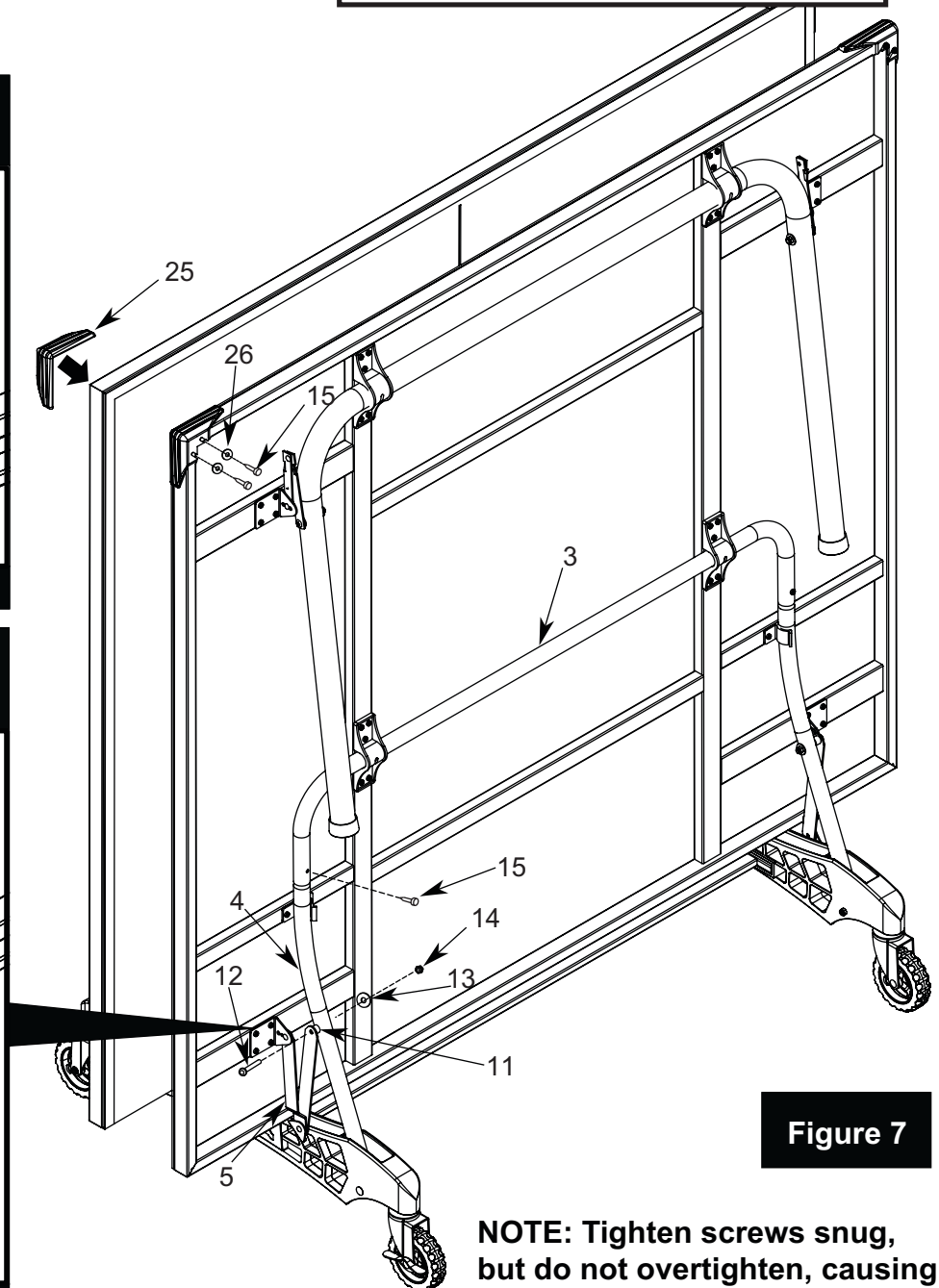


Figure 7

NOTE: Tighten screws snug, but do not overtighten, causing screws to strip in metal tube.

OPENING AND CLOSING INSTRUCTIONS



! WARNING:

WIND GUSTS CAN BLOW OVER OR UNEXPECTEDLY OPEN THE TABLE: STORE IN PROTECTED AREA. EXERCISE CAUTION IN OPENING/CLOSING TABLE. SMALL CHILDREN, OR CHILDREN NOT PROPERLY INSTRUCTED IN ITS USE, MUST NOT BE ALLOWED TO OPEN/CLOSE TABLE. IMPROPER HANDLING AND MISUSE CAN RESULT IN SERIOUS INJURY OR DAMAGE. DO NOT CLIMB, STAND, OR JUMP ON TABLE.

TO OPEN:

1. Open legs on one table half and lock both leg hinges.
2. Standing at center of table, hold center of top edge with one hand and U-Support with other hand. Pull U-Support outward toward you to midway position. Continue to pull top of table until leg rests on the floor. Do not leave table partially opened at midway position. See **Figure 8**.
6. Secure net posts to center of table and slide net down over posts. See **Figure 10**.

NOTE: Adjust Velcro Straps on one end of net for proper net tension.

Figure 8

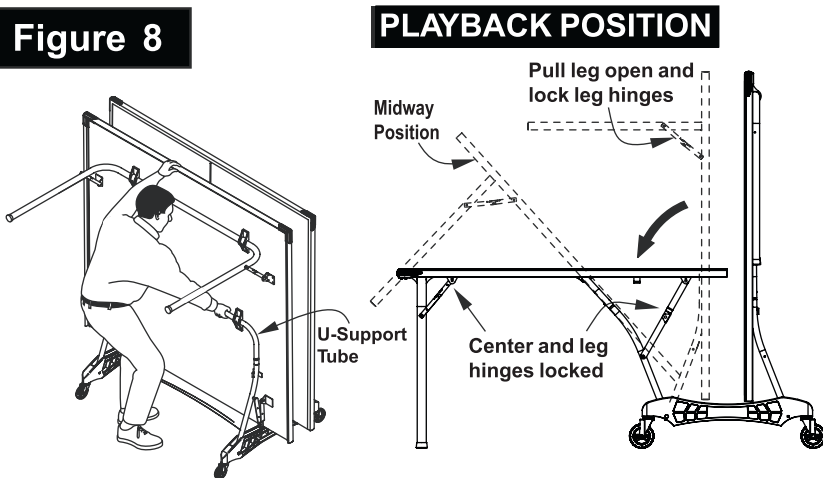
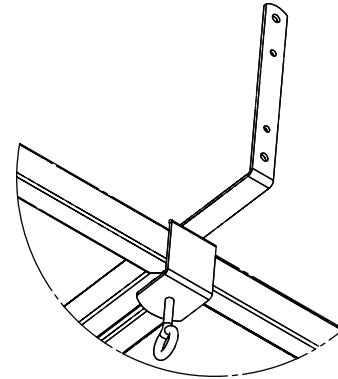


Figure 10



3. Open legs of second table half and lock both hinges as with the first half.
4. Lower second top as described in step 2.
5. Lock all four center hinges. See **Figure 9**.

TO CLOSE:

1. Remove net and net posts from table.
2. Unlock all four center hinges. See **Figure 9**.
3. Lift one table half to midpoint until the plastic clips are engaged. Then continue lifting until closed.
4. Unlock leg hinges on this half and fold legs against top.
5. Raise other table half in the same manner.

STORAGE POSITION

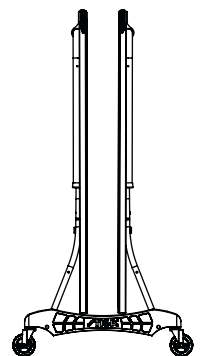
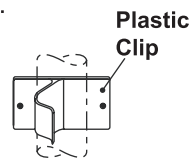
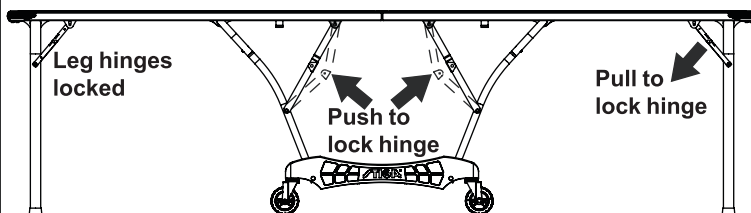


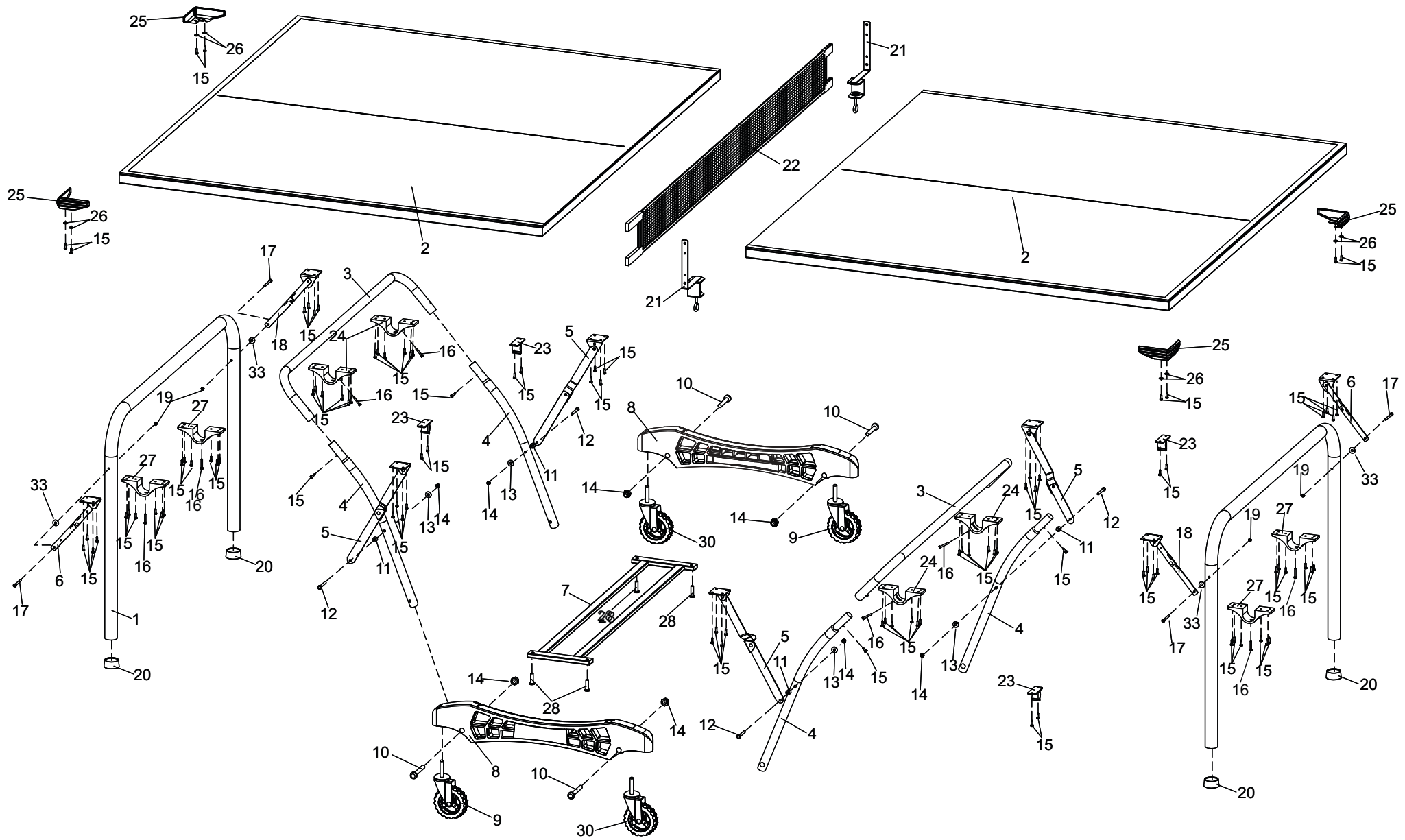
Figure 11

Figure 9



PLAYING POSITION





Replacement Parts List for Model Number T8561

Key#	Part#	Description	Qty.
1	8S-4577-02	U-Leg - Silver	2
2	4A-7910-00	Aluminum Top Assembly - T8561	2
3	8S-6871-01	U-Support - Silver	2
4	8S-4579-03	Strut Tube - Silver	4
5	4A-5577-00	Long Hinge & Mounting Bracket Assembly	4
6	4A-5579-00	RH Short Hinge & Mounting Bracket Assembly	2
7	4A-5430-00	Cross Tube	1
8	3M-8909-13	Plastic Caster Beam Assembly with 4" Casters	2
	3M-8909-10	Plastic Caster Beam Only (without casters)	2
9	2Q-4019-00	4" Single Wheel Caster - No Lock	2
10	1B-4155-00	1/4-20 X 2 Carriage Bolt	4
11	7B-6256-99	1/2 OD X .281 ID X 3/4 Plastic Spacer	4
12	1B-4150-00	1/4-20 X 2 1/4 Phillips Rd. Hd. Bolt	4
13	2B-6087-00	3/4 OD X 1/4 ID Flat Plastic Washer	4
14	2B-4047-98	1/4-20 Locknut	8
15	1B-7059-00	#8 X 1/2 Phillips Rd. Hd. Sheet Metal Screw	100
16	1B-4089-00	#8-32 X 1 1/4 Phillips Rd. Hd. Sheet Metal Screw	8
17	1B-4154-00	#10-24 X 2" Phillips Rd. Hd. Bolt	4
18	4A-5580-00	LH Short Hinge & Mounting Bracket Assembly	2
19	WB-1007-99	#10-24 Locknut	4
20	4C-0201-00	Plastic Leg Cap - 1 1/2"	4
21	4A-5524-00	Net Post	2
22	3F-6043-00	Net	1
23	3M-6273-00	Plastic Clip - 1"	4
24	3M-8921-00	1" Plastic Tube Bracket	4
25	3M-4163-10	Corner Protector	4
26	2N-0214-99	#10 Washer	8
27	3M-8922-00	1-1/2" Plastic Tube Bracket	4
28	1B-4129-00	#10-24 X 3/4 Thumb Screw	4
29	2L-5057-00	Owners Manual - T8561	1
30	2Q-4020-00	4" Single Wheel Caster - With Lock	2
31	5A-4270-00	Hardware kit	1
32	5A-4266-00	Net & Post Set	1
33	2B-6088-00	3/4 OD X 1/4 ID X 1/8 Thick Plastic Washer	4

2L-5057-00



MESA DE TENIS

NÚMERO DE MODELO

T8561

MANUAL DEL USUARIO

1. **Lea este manual cuidadosamente antes de empezar a ensamblar.** Lea completamente cada uno de los pasos antes de empezar cada paso.
2. **Algunas partes pequeñas pueden estar empacadas dentro de las partes grandes . Verifique en el interior de todas las partes y cartones antes de ensamblar o solicitar partes.**
3. **No ajuste las partes hasta que las instrucciones se lo indiquen.** Si las partes se ajustan antes de lo indicado, es posible que los hoyos no queden alineados y las partes queden fuera de su lugar. Deje las tuercas levemente flojas hasta que las instrucciones le indiquen ajustarlas.
4. **Herramientas necesarias:** Desarmador Phillips, llaves ajustables y Mazo de Goma, llaves de 8mm y 10mm.
5. Para hacer el ensamble lo más fácil posible, ponga todas las partes de la mesa en un área limpia y remueva el embalaje. No remueva las partes de las bolsas hasta que este listo para ensamblar esa parte. No tire el material de empaque hasta que acabe el ensamble. Para identificar las partes, use la **Lista de Partes, Identificación de Tornillos y Tuercas mas los Dibujos.**
6. Un destornillador eléctrico, puede resultarle muy útil para armar la mesa. Sin embargo, debe usarlo en potencia baja y tener mucho cuidado de no ajustar en exceso y dañar los tornillos.

Por favor NO devuelva este producto a la tienda!

Contacte el departamento de servicio al cliente de Escalade® Sports:

Teléfono: 1-800-873-3528 ¡Sin costo alguno!

Fax: 1-866-873-3533 ¡Sin costo alguno!

Correo Electronico: tabletennis@escaladesports.com

Apartado postal (sólo para correspondencia):

Escalade Sports

PO Box 889

Evansville, IN 47706

Visite nuestra página Web internacional: www.escaladesports.com

SOLUCION DE PROBLEMAS POR INTERNET

ASISTENCIA TÉCNICA

PEDIDO DE PARTES POR INTERNET

PREGUNTAS FRECUENTES

MÁS INFORMACIÓN SOBRE PRODUCTOS DE ESCALADE® SPORTS

ESCALADE®
SPORTS

2L-5057-00

Los productos Escalade® Sports se pueden fabricar y/o producir bajo las siguientes patentes.
6120397, 5816957, 5769744, 5119741, 4911085, 4717157, D460140, D420563

Puede haber patentes en trámite. Una o más patentes mencionadas y/o en trámite pueden cubrir productos específicos.

©2014 Escalade®Sports

GARANTÍA LIMITADA POR TRES AÑOS

Esta garantía es aplicable para consumidores de la compra original de cualquier producto de ESCALADE® SPORTS (de aquí en adelante denominado el "Producto").

DURACIÓN DE LA GARANTÍA: Se garantiza este Producto al comprador original por un período de (3) años a partir de la fecha de compra.

COBERTURA DE LA GARANTÍA: ESCALADE SPORTS le garantiza al comprador original que cualquier producto de su fabricación está libre de defectos en los materiales y fabricación cuando se lo utiliza para el propósito establecido, bajo condiciones normales de uso. ESTA GARANTÍA NO TIENE VALIDEZ SI EL PRODUCTO SE HA DETERIORADO POR ACCIDENTE, USO INDEBIDO, NEGLIGENCIA, MANTENIMIENTO INCORRECTO, NO SEGUIR LAS INSTRUCCIONES QUE VIENEN CON EL PRODUCTO U OTRAS CAUSAS NO RELACIONADAS CON DEFECTOS EN LOS MATERIALES O FABRICACIÓN.

APLICACIÓN DE LA GARANTÍA: Durante el período de garantía de (3) años, ESCALADE SPORTS reparará o reemplazará con otro similar, todo modelo o Producto o componente que resulte defectuoso bajo condiciones normales de uso y cuidado, cuando nuestra inspección demuestre que a nuestra satisfacción el mismo realmente es defectuoso; sírvase contactar a nuestro Departamento de Garantía.

1-866-873-3528 / Departamento de Garantía (Warranty Dept.)

○ escribanos a:

Escalade® Sports, Inc. - P.O. Box 889, Evansville, IN 47706 - Attn: Warranty Dept.

○ por correo electrónico a:

tabletennis@escaladesports.com

Fuera de los gastos de envío, no se impondrá cargo alguno por la reparación o reemplazo de los productos en garantía. ESCALADE® SPORTS recomienda asegurar los Productos por su valor antes del envío.

LIMITACIÓN DE LA GARANTÍA: TODA GARANTÍA ORIGINADA EN ESTA VENTA, INCLUYENDO EN FORMA NO TAXATIVA, LAS GARANTÍAS IMPLÍCITAS DE COMERCIALIZACIÓN Y APTITUD PARA UN FIN ESPECÍFICO, TENDRÁ VIGENCIA POR UN PLAZO DE (3) AÑOS. ESCALADE® SPORTS NO SERÁ RESPONSABLE POR LA IMPOSIBILIDAD DE UTILIZAR EL PRODUCTO U OTROS COSTOS INCIDENTALES O RELACIONADOS, PERJUICIOS O PERDIDAS GENERADAS POR EL CONSUMIDOR ANTE CUALQUIER OTRO USO.

Algunos estados no permiten la exclusión o limitación de las garantías implícitas o daños incidentales o conexos, de modo que las limitaciones que anteceden pueden no ser aplicables en su caso.

RECURSOS LEGALES: Esta garantía le otorga algunos derechos específicos además de otros derechos que varían según el estado.



ADVERTENCIA!

ESTA ES UNA MESA DE TENIS, POR LO TANTO NO SE SIENTE, NI SE PARE, RECARGE, CAMINE O SALTE SOBRE LA MESA! EL INCUMPLIMIENTO DE ESTA PRECAUCION PUEDE RESULTAR CON LESIONES PERSONALES Y/O DAÑOS A SU MESA!

PISOS DESNIVELADOS

Si la mesa parece estar desnivelada, es probablemente porque el piso no está nivelado. Mueva la mesa varias pulgadas (coloque la mesa en posición de juego) en diferentes direcciones para encontrar la mejor ubicación para la mesa. Si el piso está extremadamente desnivelado, la mesa no funcionará correctamente. Si la mesa queda más alta en el centro, utilice una cuña debajo de las patas.

CUIDADO Y MANTENIMIENTO

Usted ha comprado un producto de calidad que disfrutará por muchos años. Siguiendo estos pasos simples de mantenimiento alargará la vida de su mesa.

La parte superior (la superficie de juego) de su mesa está hecha de aluminio. Esta puede ser afectada por las condiciones atmosféricas, es decir, la temperatura y la humedad. Esto puede causar una deformación leve en expansión o contracción lo cual es normal y no debe causar preocupación, ya que no afecta la utilidad del juego o el valor de la mesa.

ALMACENAMIENTO DE LA MESA

Las corrientes de aire pueden abrir o voltear su mesa inesperadamente; Guárdela en una área protegida. Cuando la mesa no esté en uso, se debe doblar y almacenarla en una área seca.

LIMPIEZA DE SU MESA

Para limpiar la mesa, utilice un trapo suave y húmedo solamente (NO MOJADO). Para evitar daños en la superficie de juego, NO USE ningún producto Químico, abrasivos o productos de limpieza en la superficie de su mesa.

IMPORTANTE

Lubricar todas las partes móviles, incluyendo los puntos de pivote. Esto garantizará la seguridad y facilidad de uso. Se recomienda un lubricante ligero como el WD-40.

IDENTIFICADOR DE TORNILLOS

12



1/4-20 X 2 1/4 Tornillo Phillips (4 piezas)

10



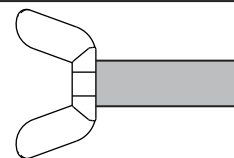
1/4-20 X 2 Tornillo de Carruaje (4 piezas)

17



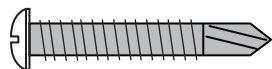
#10-24 X 2" Tornillo Phillips (4 piezas)

28



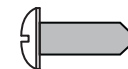
#10-24 X 3/4 Tornillo de Mariposa (4 piezas)

16



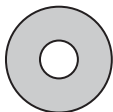
#8-32 X 1 1/4 Tornillo Phillips (8 piezas)
(para Lamina de Metal)

15



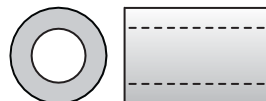
#8 X 1/2 Tornillo Phillips (100 piezas)
(para Lamina de Metal)

26



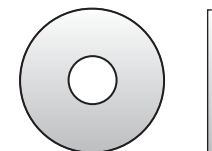
#10 Rondana (8 piezas)

11



1/2 DE X .281 DI X 3/4 (largo)
Separador de Plástico (4 piezas)

13



3/4 DE X 1/4 DI X 1/16 (grosso)
Rondana de Plástico (4 piezas)

19



#10-24 Tuerca de Seguridad
(4 piezas)

33



3/4 DE X 1/4 DI X 1/8 (grosso)
Rondana de Plástico (4 piezas)

14



1/4-20 Tuerca de Seguridad
(8 piezas)

NOTA: Si las llantas ya vienen ensambladas a los carriles empiece con el paso 2.

1. Inserte una Llanta **con** Seguro (#30) dentro del Carril como se muestra en la **FIGURA 1**. En el otro extremo del Carril inserte una Llanta **sin** Seguro (#9). Asegúrese que cada carril tenga una llanta con seguro y una llanta sin seguro.

Repita el paso para el segundo Carril.

Partes Requeridas:

- 2 pzs - #8 Carril de Plástico
- 2 pzs - #9 Llanta Sin Seguro
- 2 pzs - #30 Llanta Con Seguro

⚠ ADVERTENCIA!
LEA Y SIGA TODAS LAS INSTRUCCIONES DEL ENSAMBLADO, LAS OPERACIONES Y LAS INSTRUCCIONES DE SEGURIDAD. POR LO MENOS SE REQUIERE DE DOS (2) ADULTOS PARA ENSAMBLAR LA MESA!

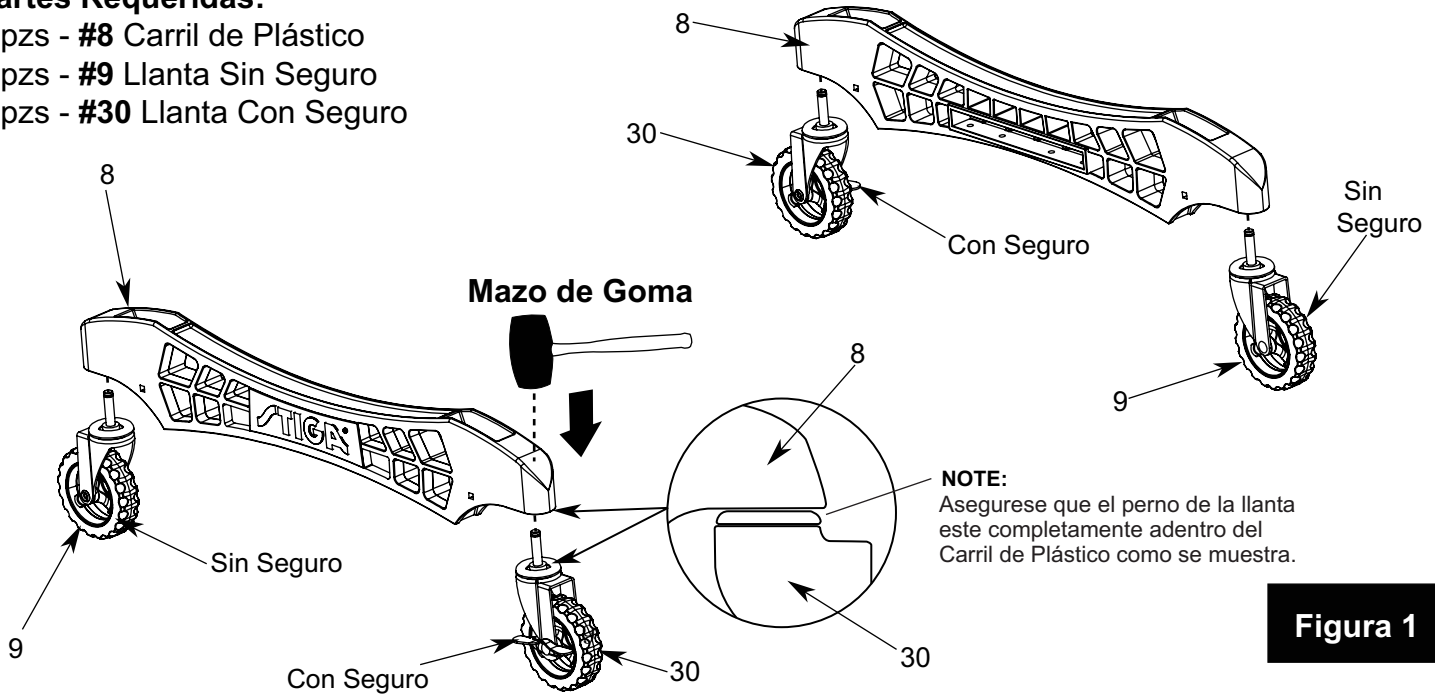


Figura 1

2. Inserte el Tubo Horizontal de Soporte (#7) dentro de los Carriles (#8) utilizando cuatro Tornillos de Mariposa (#28) como se muestra en la **FIGURA 2**. Apriete los tornillos bien pero **NO SOBRE APRIETE**.

Partes Requeridas:

- 1 pz - #7 Tubo Horizontal de Soporte

Herrajes Requeridos:

- 4 pzs - #28 #10-24 Tornillos De Mariposa

NOTA: Ensamble con inserto con roscas (para el tornillo) hacia abajo.

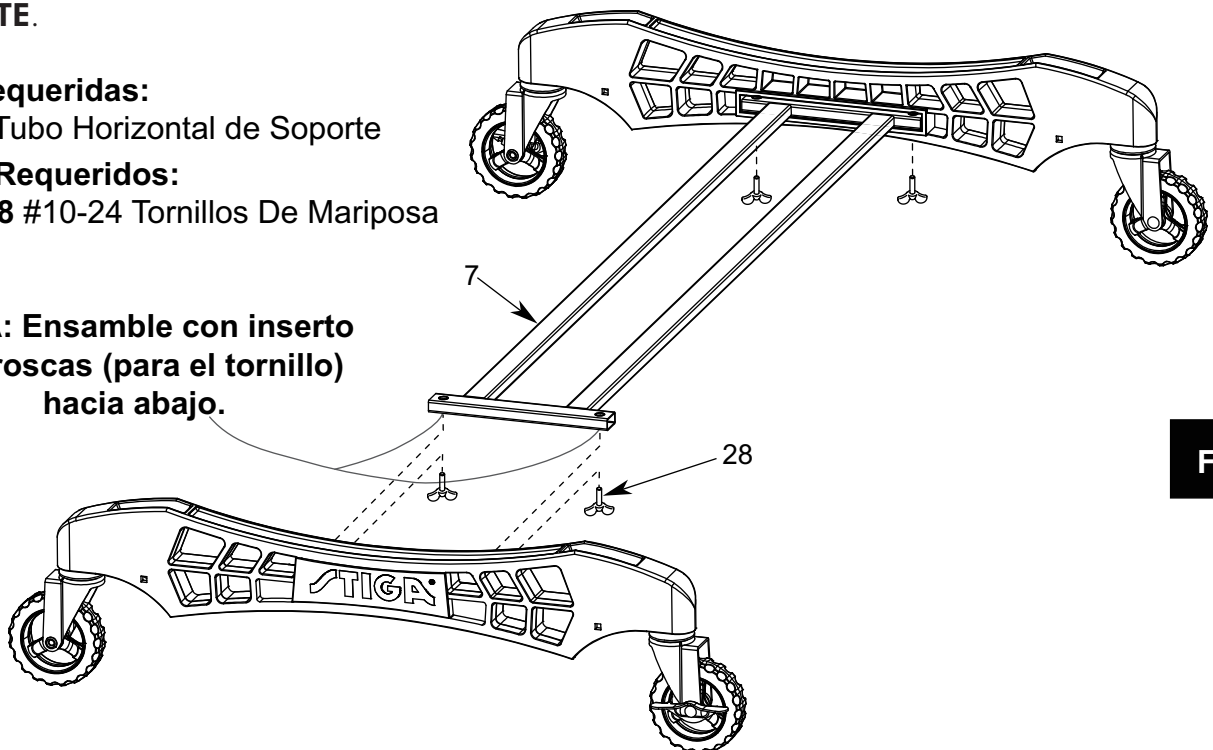


Figura 2

3. Una cuatro Tubos Estructurales (#4) a el Carril ensamblado utilizando cuatro Tornillos de Carruaje (#10) y cuatro Tuercas de Seguridad (#14) como se muestra en la **FIGURA 3**. Apriete las tuercas bien pero **NO SOBRE APRIETE**.

! ADVERTENCIA!

LEA Y SIGA TODAS LAS INSTRUCCIONES DEL ENSAMBLADO, LAS OPERACIONES Y LAS INSTRUCCIONES DE SEGURIDAD. POR LO MENOS SE REQUIERE DE DOS (2) ADULTOS PARA ENSAMBLAR LA MESA!

Herrajes Requeridos:

4 pzs - #10 Tornillo de Carruaje

4 pzs - #14 Tuerca de Seguridad

Partes Requeridas:

4 pzs - #4 Tubo Estructural

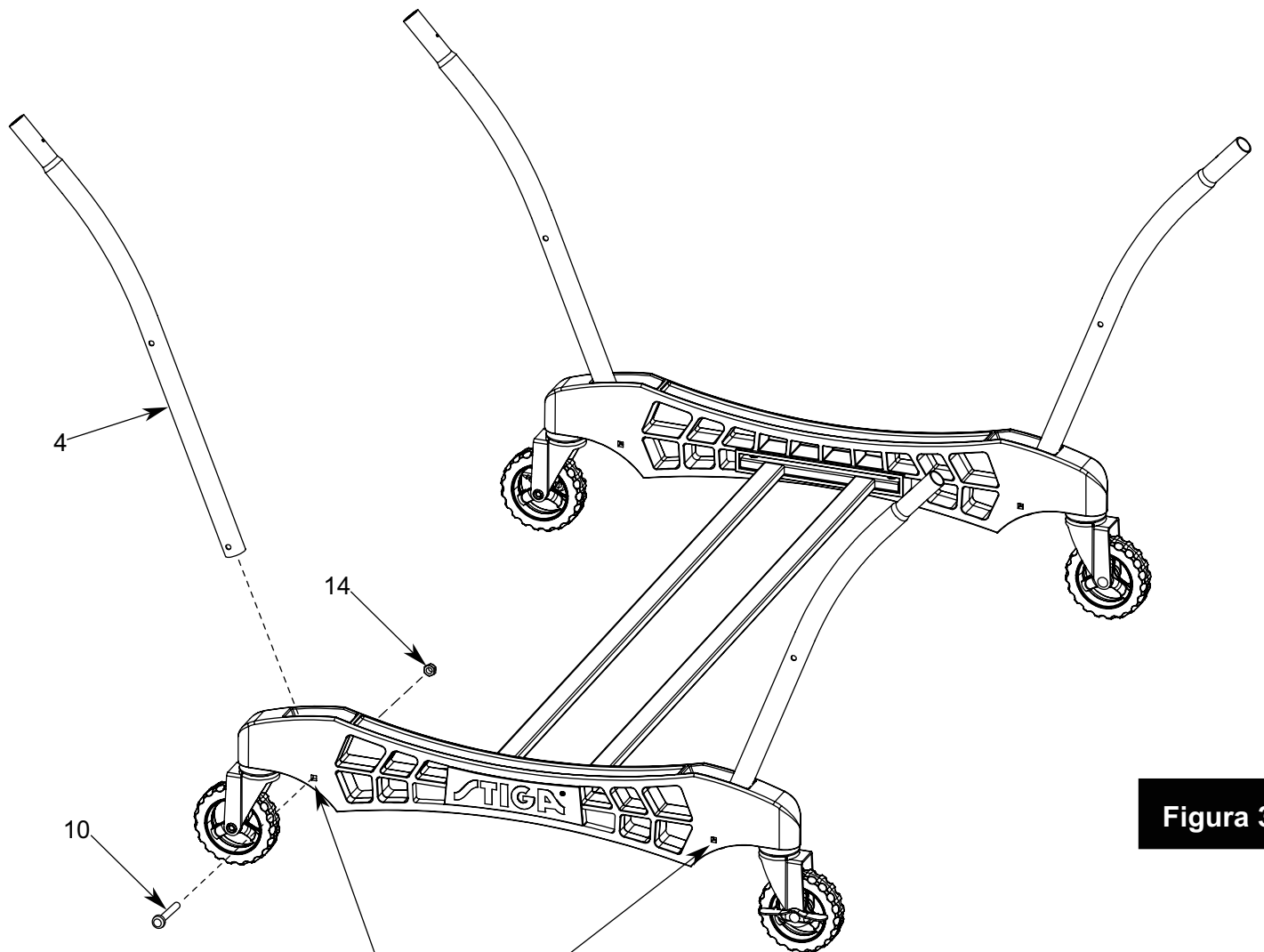


Figura 3

NOTA:
Ajuste, pero no sobre apriete
estos cuatro puntos de pivote.

4. A) Instale los dos Clips de Plástico de 1" (#23) en la parte de abajo del tablero de aluminio utilizando cuatro tornillos (#15) como se muestra en la **FIGURA 4** y en el **DETALLE B**.
- B) Instale la pata en "U" (#1) con dos Abrazaderas de Plástico para el tubo de 1-1/2" (#27) como se muestra en la **FIGURA 4** y el **DETALLE A**. Instale con doce tornillos (#15). **PRECAUCIÓN: Las ranuras de las Abrazaderas de Plástico (#27) deben quedar hacia el centro de la mesa exactamente como se muestra ó la mesa no funcionará correctamente.**
- C) Instale el Tubo de Soporte en "U" (#3) con dos Abrazaderas de Plástico para el tubo de 1" (#24) como se muestra en el **DETALLE B**. Instale con doce tornillos (#15). **PRECAUCIÓN: Las ranuras de las Abrazaderas de Plástico (#24) deben quedar hacia el centro de la mesa exactamente como se muestra ó la mesa no funcionará correctamente.**
- D) Rote la pata en "U" (#1) y el Tubo de Soporte en "U" (#3) hasta que vea el orificio del tornillo en las ranuras de las Abrazaderas de Plástico (#27) y (#24). Si es necesario para ver el orificio, deslice la pata en "U" y el Tubo de Soporte en "U" de lado a lado. Vea **DETALLES A y B**.
- E) Atornille dos tornillos (#16) a través de las ranuras de las Abrazaderas de Plástico (#24) y dentro del Tubo de Soporte en "U" (#3) y dos tornillos (#16) través de las ranuras de las Abrazaderas (#27) y dentro de la pata en "U" (#1) como se muestra en los **DETALLES A y B**.
- F) Deslice dos Tapones de plástico de la pata (#20) encima en los extremos de la pata en "U" (#1).

Herrajes Requeridos:

28 pzs - #15 Tornillo Phillips

4 pzs - #16 Tornillo Phillips

Partes Requeridas:

1 pz - #1 Pata en U- Color Plata

1 pz - #2 Tablero de Aluminio

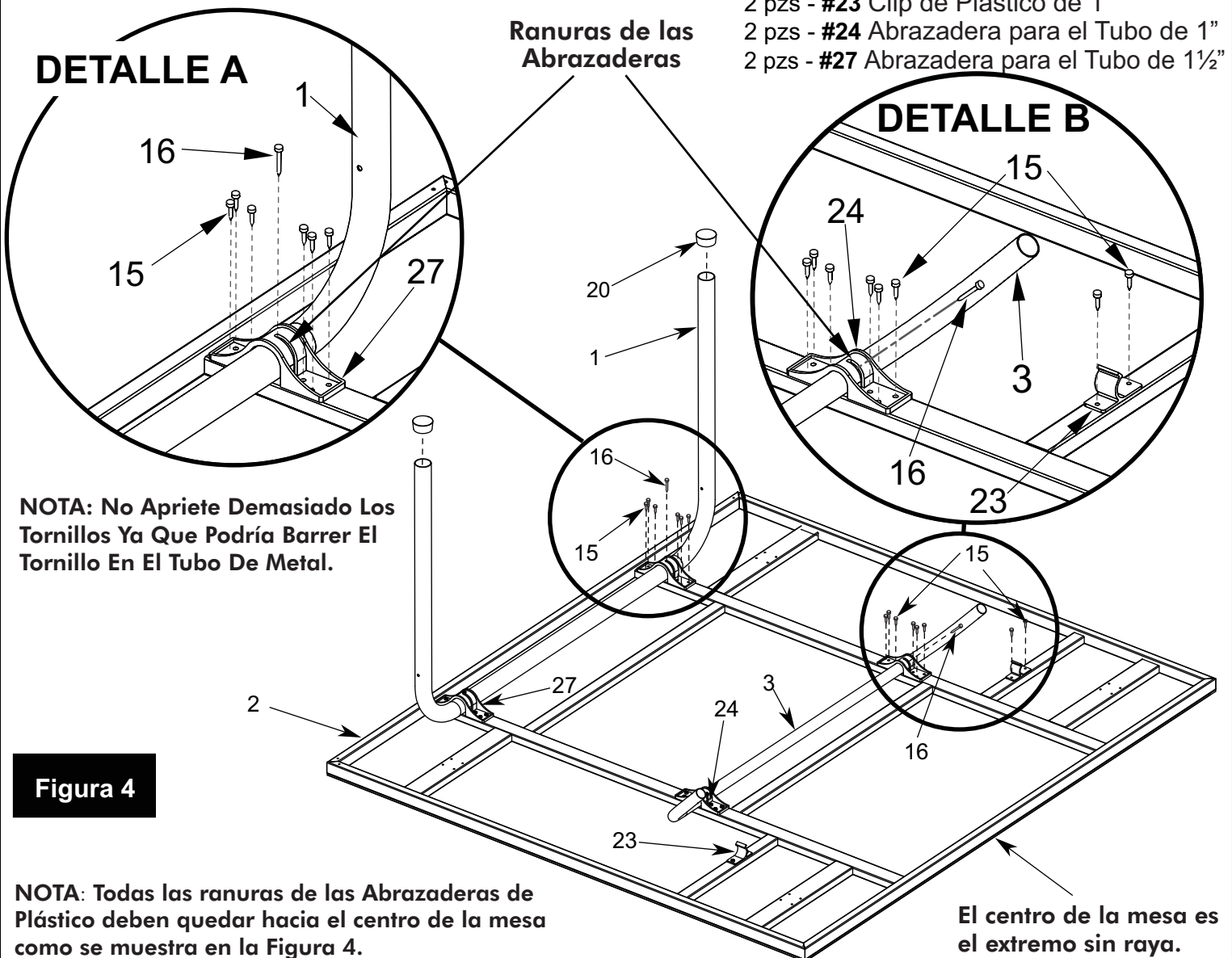
1 pz - #3 Tubo de Soporte U- Color Plata

2 pzs - #20 Tapón de la Pata

2 pzs - #23 Clip de Plástico de 1"

2 pzs - #24 Abrazadera para el Tubo de 1"

2 pzs - #27 Abrazadera para el Tubo de 1 1/2"



NOTA: No Apriete Demasiado Los Tornillos Ya Que Podría Barrer El Tornillo En El Tubo De Metal.

Figura 4

NOTA: Todas las ranuras de las Abrazaderas de Plástico deben quedar hacia el centro de la mesa como se muestra en la Figura 4.

El centro de la mesa es el extremo sin raya.

5. A) Instale una Bisagra (corta)- Mano Izquierda (#18) utilizando cuatro tornillos (#15) como se muestra en el **DETALLE C**. Instale una Bisagra (corta) – Mano Derecha (#6) utilizando cuatro tornillos (#15) como se muestra en la **FIGURA 5**. Instale las dos Bisagras con soporte de montaje (Largas) (#5) utilizando ocho tornillos (#15) como se muestra en el **DETALLE D** y la **FIGURA 5**.
- B) Instale la Bisagra (Corta)- Mano Izquierda (#18) y Mano Derecha (#6) a la pata en "U" (# 1) utilizando dos Tornillos (#17) con dos Tuercas gruesas (#33) y dos Tuercas de Seguridad (#19) como se muestra en la **FIGURA 5** y en el **DETALLE C**. **NO APRIETE DEMASIADO** las bisagras ya que deben girar. **Nota:** La Rondana gruesa (1/8") de Plastico (#33) va entre la bisagra y la pata.

REPITA LOS PASOS 4 Y 5 EN EL OTRO TABLERO DE ALUMINIO.

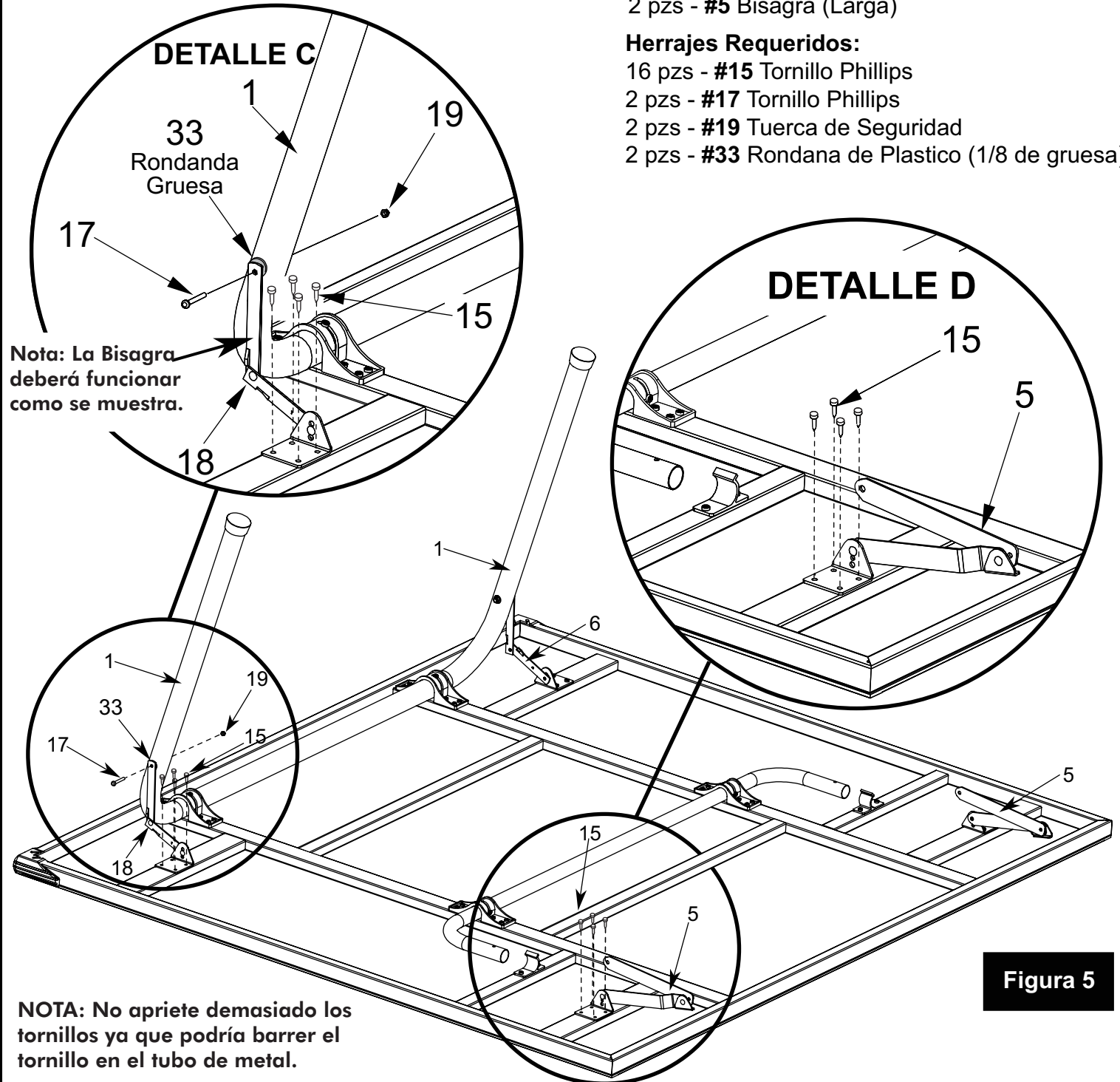
ADVERTENCIA: Asegúrese que las bisagras estén puestas exactamente como se muestra ó la mesa no funcionará correctamente y puede ser dañada. **NO APRIETE DEMASIADO** las tuercas ya que las bisagras deben girar.

Partes Requeridas:

- 1 pz - #6 Bisagra (Corta) - Mano Derecha
- 1 pz - #18 Bisagra (Corta) - Mano Izquierda
- 2 pzs - #5 Bisagra (Larga)

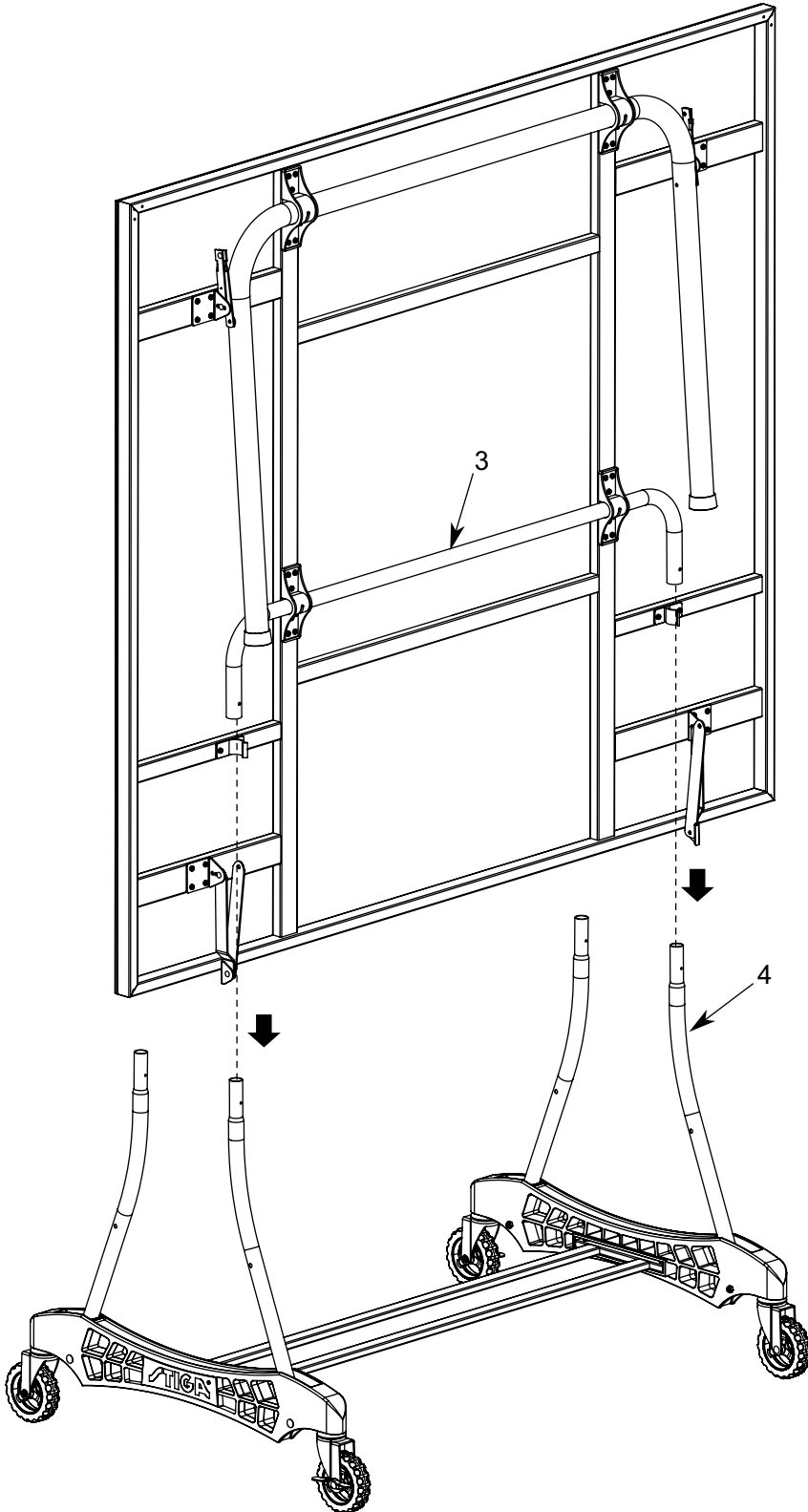
Herrajes Requeridos:

- 16 pzs - #15 Tornillo Phillips
- 2 pzs - #17 Tornillo Phillips
- 2 pzs - #19 Tuerca de Seguridad
- 2 pzs - #33 Rondana de Plastico (1/8 de gruesa)



6. Una el Tablero a la base ensamblada. Mueva los Tubos Estructurales (#4) hacia arriba y después con por lo menos un adulto en cada lado de la mesa, levante y alinee las orillas del Tubo de Soporte-U (#3) a las puntas de los Tubos Estructurales en los Carriles como están mostrados en la **FIGURA 6**. Deslice los Tubos juntos.

Repita los pasos para la otra mitad de la mesa.



⚠ ADVERTENCIA!

POR LO MENOS SE REQUIEREN DOS (2) ADULTOS PARA TERMINAR EL RESTO DEL ENSAMBLADO! CUANDO ENSAMBLE LOS TABLEROS A LA BASE, MUEVA EL TABLERO SOSTENIENDOLO ÚNICAMENTE DE LA PARTE POSTERIOR, NO SE DETENGA DE LAS PATAS DE METAL, DEL TUBO DE SOPORTE-U, DE LOS TUBOS CONECTORES Ó DE LAS BISAGRAS. ESTAS PARTES PUEDEN MOVERSE Y PODRÍAN LASTIMAR LOS DEDOS O LAS MANOS, CAUSANDO LESIONES GRAVES. POR FAVOR ENSAMBLE LA MESA COMO SE MUESTRA, CON LAS PATAS COMPLETAMENTE CERRADAS Y EL TABLERO EN POSICIÓN VERTICAL. NO ABRA LAS PATAS Y TRATE DE ENSAMBLARLAS. LOS TABLEROS ESTÁN MUY PESADOS-NO INTENTE ENSAMBLAR (ARMAR) LA MESA SÓLO!

⚠ ADVERTENCIA!

¡NO ABRA LA MESA EN LA POSICIÓN DE JUEGO, HASTA QUE AMBAS MITADES DE LA MESA ESTÉN INSTALADAS! NO DEJE LA MESA LEVANTADA SOLA. PODRÍA CAERSE SOBRE ALGUIEN CAUSANDO HERIDAS SERIAS Ó DAÑO DE PROPIEDAD.

Figura 6

NOTA: GIRE LOS TUBOS ESTRUCTURAL HACIA ARRIBA.

7. Atornille el Tubo del Soporte-U (#3) a los Tubos Estructurales (#4) con los dos Tornillos (#15) como se muestra en **Figura 7**.

Nota: Si la Bisagra (#5) esta colocada como se muestra en **Detalle E**, usted tendrá que girar la bisagra a la posición que se muestra en **Detalle F**. **NO** desatornille la bisagra, usted puede girar la bisagra sin desatornillarla de la mesa. Si desea ver un vídeo para ver la posición de Bisagra (#5) vaya a: <http://www.escaladesports.com/customer-service/videos.html>

8. Una las Bisagras Largas (#5) a los Tubos Estructurales (#4) utilizando dos Tornillos (#12), dos Separadores de plástico (#11), dos Rondanas de Plástico (#13) y dos Tuercas de Seguridad (#14) como están mostrados en la **FIGURA 7 & DETALLE F**. Ajuste las Tuercas, pero **NO SOBRE APRIETE**, las bisagras deben de girar.

9. Instale los dos Protectores de la Esquina (#25) a las esquinas de la mesa utilizando los tornillos (#15) con cuatro Rondanas (#26) como se muestra en la **FIGURA 7**.

REPITA LOS PASOS PARA LA OTRA MITAD DE LA MESA.

Herrajes Requeridos:

- 2 pzs - #11 Separador
- 2 pzs - #12 Tornillo Phillips
- 2 pzs - #13 Rondana de Plástico
- 2 pzs - #14 Tuerca de Seguridad
- 6 pzs - #15 Tornillo Phillips
- 4 pzs - #26 Rondana

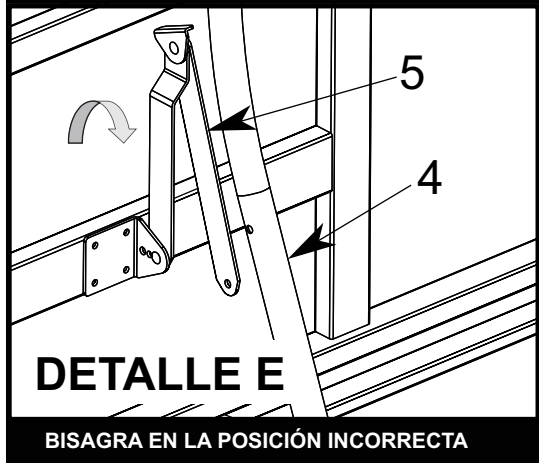
Parte Requerida:

- 2 pzs - #25 Protector de Esquinas

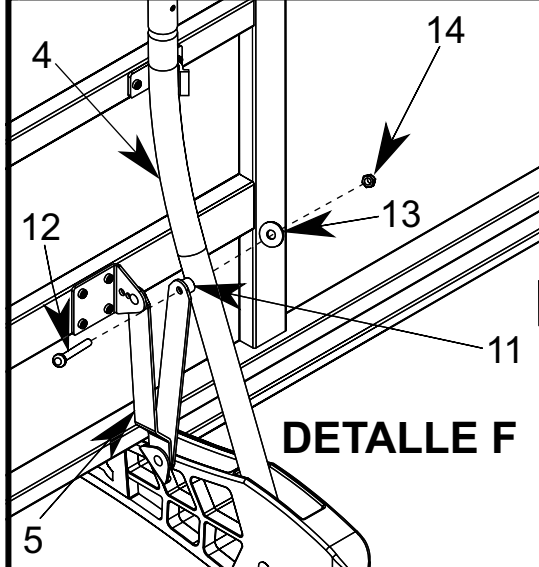
⚠ ADVERTENCIA!

NO ABRA LA MESA EN LA POSICIÓN DE JUEGO, HASTA QUE AMBAS MITADES DE LA MESA ESTÉN INSTALADAS! NO DEJE LA MESA LEVANTADA SOLA. PODRÍA CAERSE SOBRE ALGUIEN CAUSANDO HERIDAS SERIAS Ó DAÑO DE PROPIEDAD.

ADVERTENCIA: Si la bisagra esta colocada como esta mostrada en el **Detalle E**, gire la bisagra como esta mostrada en el **Detalle F**. No la desatornille de la mesa.



PRECAUCIÓN: Las Bisagras deben de ser colocadas exactamente como se muestran en el **Detalle F** ó la mesa no trabajará correctamente y puede ser dañada.



En la posición correcta la Bisagra (#5) se verá como una "V" cuando está conectada al Tubo (#4).

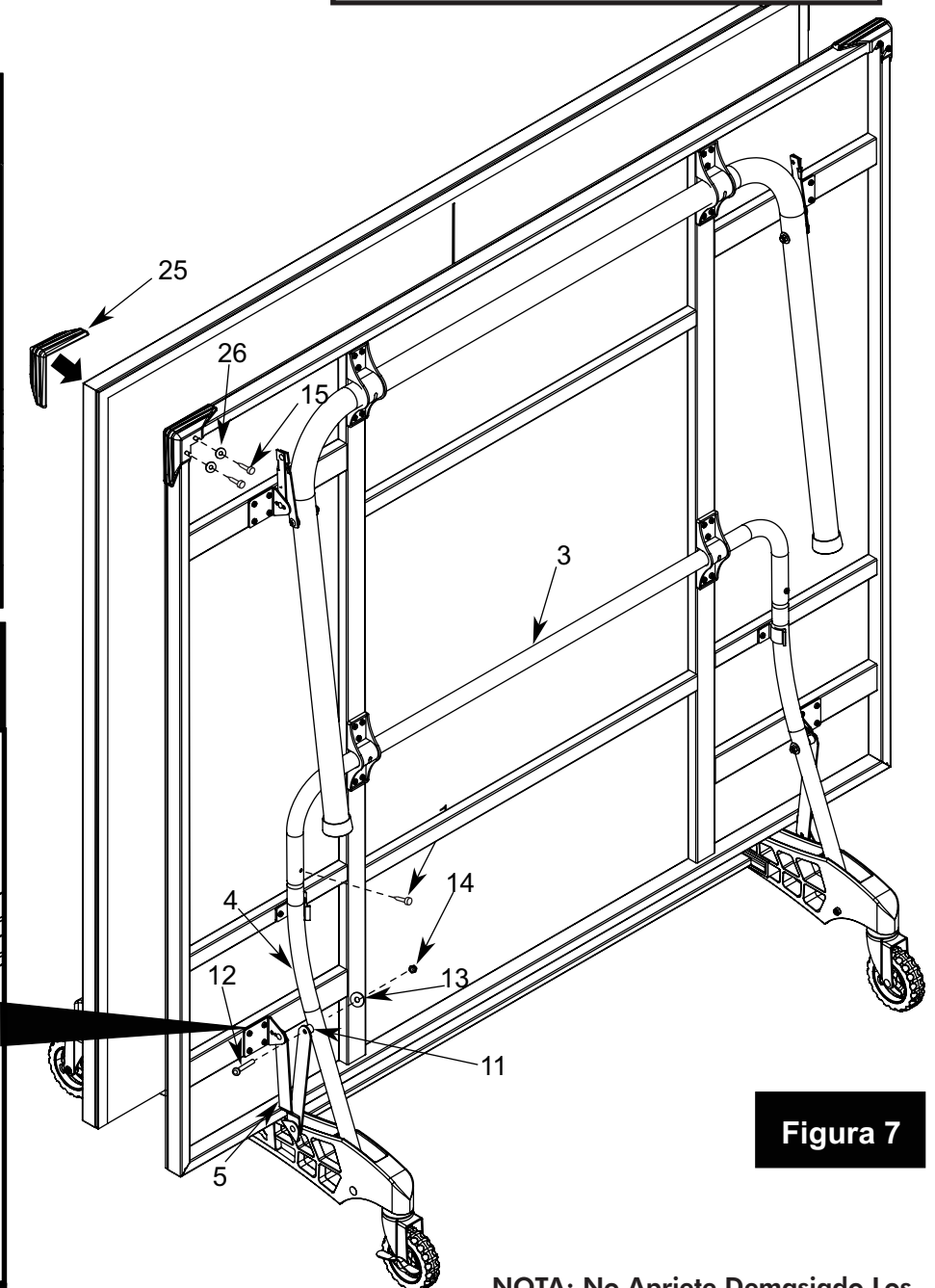


Figura 7

NOTA: No Apriete Demasiado Los Tornillos Ya Que Podría Barrer El Tornillo En El Tubo De Metal.

INSTRUCCIONES PARA ABRIR Y CERRAR LA MESA



⚠️ ADVERTENCIA!

LAS CORRIENTES DE AIRE PUEDEN TIRAR O ABRIR SU MESA DE REPENTE: GUÁRDELA EN UN ÁREA PROTEGIDA. PONGA ATENCIÓN AL ABRIR Y AL CERRAR LA MESA. MENORES DE EDAD QUE NO SABEN EL USO APROPIADO DE LAS INSTRUCCIONES NO SE LES DEBE PERMITIR ABRIR Y CERRAR LA MESA. EL MANEJO O USO INCORRECTO DE LA MESA PUEDE CAUSAR LESIONES GRAVES O DAÑOS MATERIALES. NO DEBEN DE PARARSE, SUBIRSE O BRINCAR SOBRE LA MESA.

PARA ABRIR:

1. Abra Las patas de una de las mitades de la mesa y asegure las dos patas con la bisagras.
2. Párese enfrente del centro de la mitad de la mesa, detenga el centro de la parte superior con una mano y con la otra mano el Tubo de Soporte-U. Suavemente jale el tubo de soporte hacia afuera y hacia usted hasta la position media. Continúe jalando del centro y de la parte superior de la mesa hasta que las patas se apoyen en el piso. No deje la mesa parcialmente abierta en posición media. Ver la **Figura 8**.

6. Asegure los postes de la red al centro de la mesa y deslice la red hacia abajo y sobre los postes. Ver **Figura 10**.

NOTA: Ajuste las tiras de velcro para asegurar la tensión apropiada de la red.

Figura 8

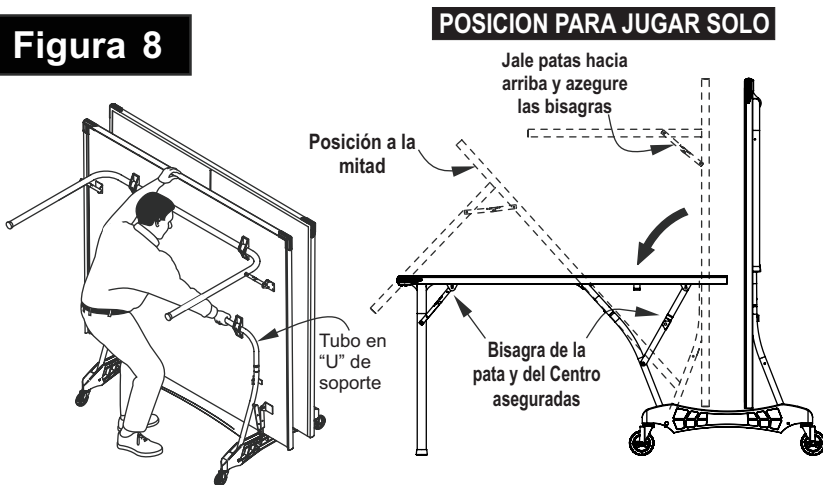
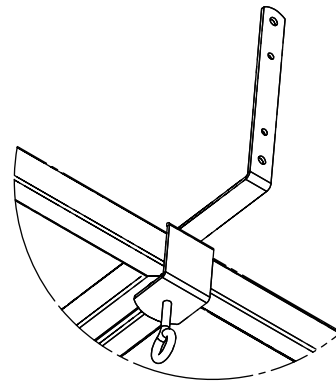


Figura 10



3. Abra las patas de la otra mitad de la mesa y asegure la dos bisagras como lo hizo con la primera mitad
4. Baje la Segunda mitad como está descrito en el paso 2.
5. Asegure las cuatro bisagras del centro. Ver la **Figura 9**.

PARA CERRAR:

1. Retire la red y los postes de la mesa.
2. Desenganche las cuatro bisagras de enmedio. Ver **Figura 9**.
3. Levante una mitad del tablero al punto medio hasta que se enganchen los clips de seguridad. Continúe levantando hasta cerrar.
4. Desenganche las bisagras de las patas en la primera mitad y doble las patas contra la mesa.
5. Levantar la otra mitad del tablero de la misma manera.

POSICION PARA GUARDAR

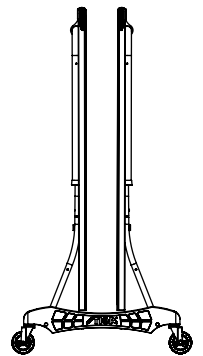
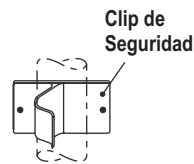
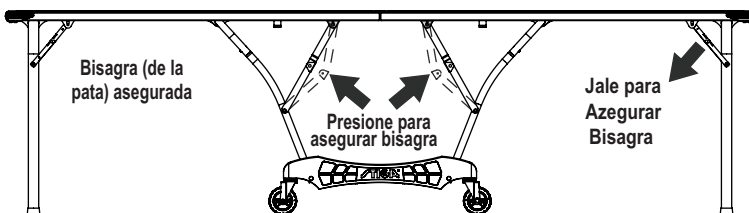


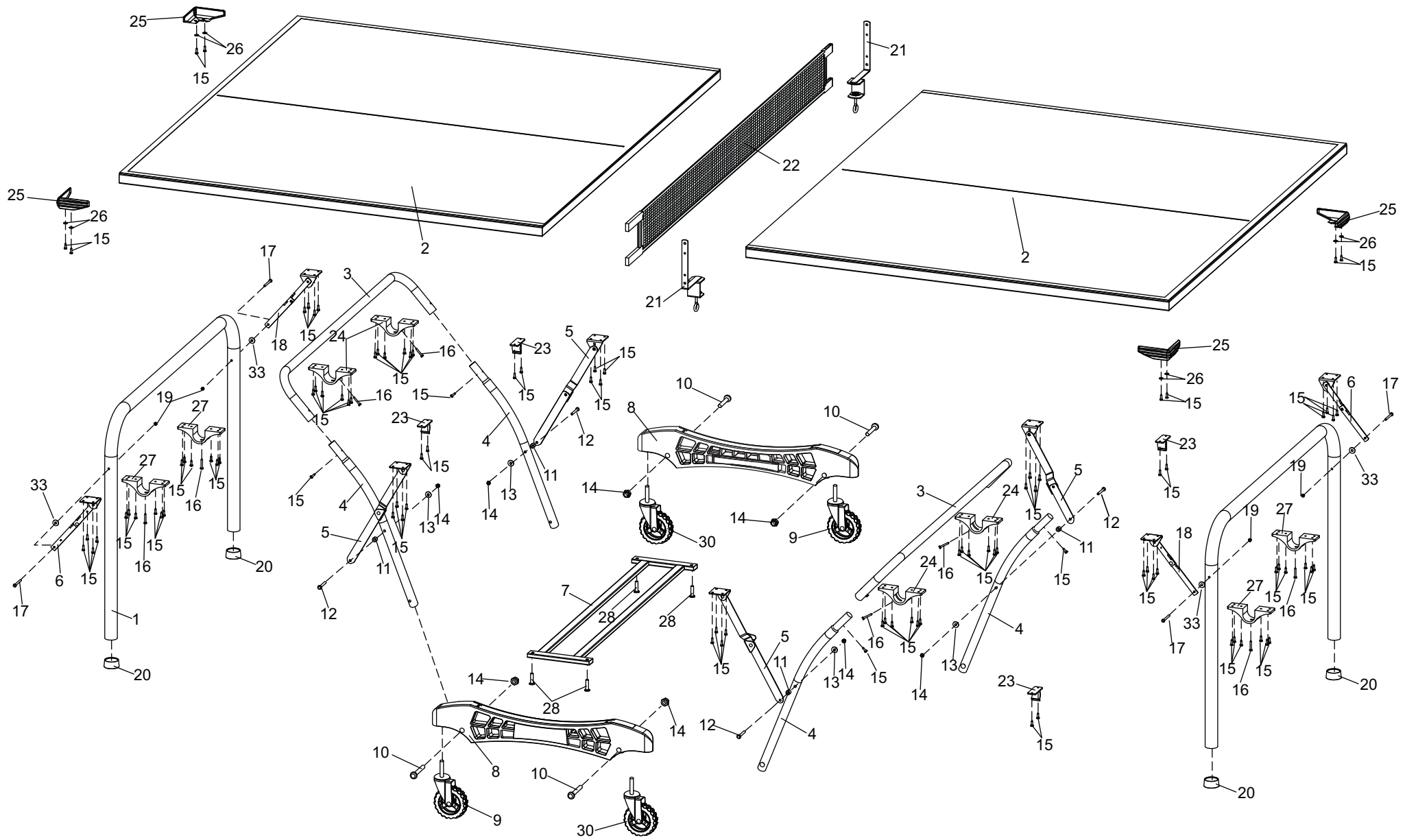
Figura 11

Figura 9



POSICION DE JUEGO





Lista de partes reemplazables para el modelo T8561

# de Ref.	# de Parte	Descripción	Cant.
1	8S-4577-02	Pata en U - Color Plata	2
2	4A-7910-00	Tablero de Aluminio Ensamblado - T8561	2
3	8S-6871-01	Tubo de Soporte en U - Color plata	2
4	8S-4579-03	Tubo Estructural - Color Plata	4
5	4A-5577-00	Bisagra con soporte de montaje (Larga)	4
6	4A-5579-00	Bisagra con soporte de montaje (Corta) - Mano Derecha	2
7	4A-5430-00	Tubo Horizontal de Soporte	1
8	3M-8909-13	Carril de plástico con llantas de 4 pulgadas	2
	3M-8909-10	Carril de plástico (sin llantas)	2
9	2Q-4019-00	Llantas de 4"- Sin seguro	2
10	1B-4155-00	Tornillo de Carruaje de 1/4-20 X 2 1/4	4
11	7B-6256-99	Separador de Plástico de 1/2 DE X .281 DI X 3/4	4
12	1B-4150-00	Tornillo Phillips de 1/4-20 X 2 1/4	4
13	2B-6087-00	Rondana de Plástico de 3/4 DE X 1/4 DI	4
14	2B-4047-98	Tuerca de Seguridad de 1/4-20	8
15	1B-7059-00	Tornillo Phillips #8 X 1/2 (para Lamina de Metal)	100
16	1B-4089-00	Tornillo Phillips #8-32 X 1 1/4 (para Lamina de Metal)	8
17	1B-4154-00	Tornillo Phillips #10-24 X 2	4
18	4A-5580-00	Bisagra con soporte de montaje (Corta) - Mano Izquierda	2
19	WB-1007-99	Tuerca de Seguridad #10-24	4
20	4C-0201-00	Tapón de la pata de 1-1/2"	4
21	4A-5524-00	Postes para la Red	2
22	3F-6043-00	Red	1
23	3M-6273-00	Clip de Plástico de 1"	4
24	3M-8921-00	Abrazadera de Plástico para el Tubo de 1"	4
25	3M-4163-10	Protector de Esquinas	4
26	2N-0214-99	Rondana #10	8
27	3M-8922-00	Abrazadera de Plástico para el Tubo de 1-1/2"	4
28	1B-4129-00	Tornillo de Mariposa #10-24 x 3/4	4
29	2L-5057-00	Manual del Usuario - T8561	1
30	2Q-4020-00	Llantas de 4"- Con Seguro	2
31	5A-4270-00	Conjunto de Tornillos y Tuercas	1
32	5A-4266-00	Conjunto de Red y Postes	1
33	2B-6088-00	Rondana de Plástico 3/4 DE X 1/4 DI X 1/8 (gruesa)	4

2L-5057-00