



TRIUMPH

We strive to ensure that our products are of the highest quality and free of manufacturing defects or missing parts. However, if you have any problems with your new product,

DO NOT RETURN IT TO THE STORE,

please contact us toll free @:

1-888-996-2729

FAX: 1-866-873-3531

gameroom@escaladesports.com

Or write to:

Escalade Sports

Customer Service Department

P.O. Box 889

Evansville, IN 47706

Please visit our Web site at:

www.escaladesports.com

Please have your date code when inquiring about parts.

When contacting Escalade Sports please provide your model number, date code (if applicable), and part number if requesting a replacement part. These numbers are located on the product, packaging, and in this owners manual.

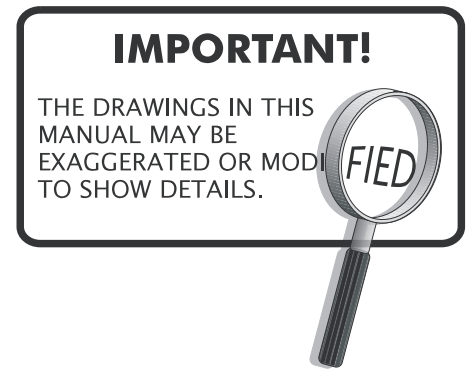
Your Model Number 45-6077W

Date Code: 2 - 45-6077W - 0616 - HL

Purchase Date: _____

PLEASE RETAIN THIS INSTRUCTION MANUAL FOR FUTURE REFERENCE

**IMPORTANT! READ EACH STEP
IN THIS MANUAL BEFORE YOU
BEGIN THE ASSEMBLY.**



TWO ADULTS ARE REQUIRED TO ASSEMBLE THIS 60” MILAN SOCCER TABLE

FEATURING:

Quick Connect Leg Assembly & Quick Connect Player Rod Assembly.
These designs are customer friendly and will greatly reduce assembly time.

Tools Required:

- T1 - Allen Wrench (Included)
- Phillips Screwdriver
- Furniture Polish and Cloth

An electric screwdriver is helpful in assembly. However, please set at low torque and use extreme caution with an electric screwdriver because you could overtighten the hardware and strip the screws.

Assembly Tips

Make sure you understand the following tips before you begin to assemble your soccer table.

1. Start all bolts by hand before tightening.
2. Some drawings or images in this manual may not look exactly like your product. Please read and understand the text before starting each assembly step.



ATTENTION:

**READ AND FOLLOW ALL ASSEMBLY, OPERATION, AND
SAFETY INSTRUCTIONS CAREFULLY. AT LEAST TWO
ADULTS ARE NEEDED TO PUT THIS SOCCER TABLE
TOGETHER.**

HARDWARE IDENTIFIER (To Scale)



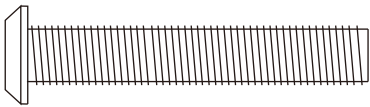
H1 - 4 mm x 45 mm
Phillips Round
Head Screw
(8 pcs)



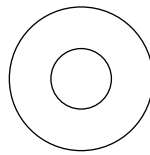
H2 - 4 mm x 40 mm
Phillips Flat
Head Screw
(28 pcs)



H3 - 3.5 mm x 12 mm
Phillips Round
Head Screw
(8 pcs)



H4 - 8 mm x 50 mm
Allen Head Bolt
(4 pcs)



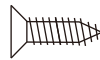
H5 - 8.5 mm x 19 mm
Flat Washer
(4 pcs)



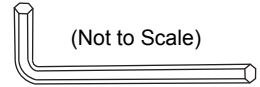
H6 - 8.5 mm
Lock Washer
(4 pcs)



H7 - 3.5 mm x 18 mm
Phillips Flat
Head Screw
(4 pcs)



H8 - 3.5 mm x 12 mm
Phillips Flat
Head Screw
(4 pcs)



(Not to Scale)
T1 - Allen Wrench
(1 pc)

ACCESSORIES IDENTIFIER (Not to Scale)

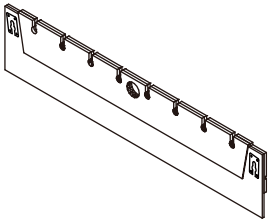


A1- Soccer Ball (4 pcs)

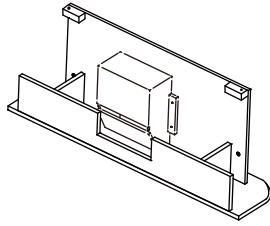


PARTS IDENTIFIER

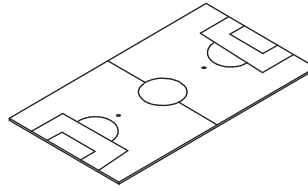
(Not to Scale)



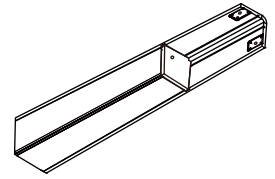
P1 - Side Apron
(2 pcs)



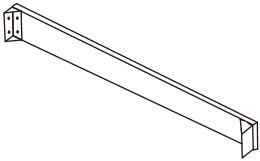
P2 - End Apron
(2 pcs)



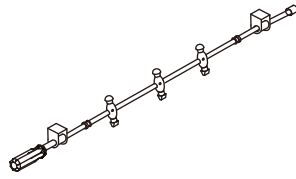
P3 - Playfield (1 pc)



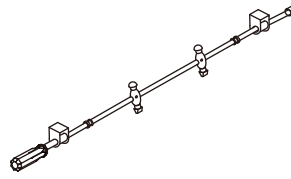
P4 - Leg
(4 pcs)



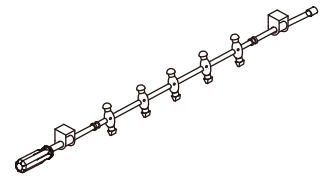
P5 - Playfield Support
Brace (2 pcs)



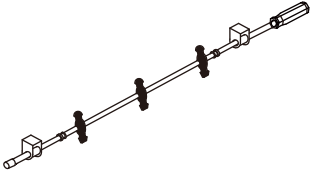
P6 - 3-Ivory Player
Rod Assembly
(2 pcs)
** With Quick Connect
Rod Bushings &
Rod Handle **



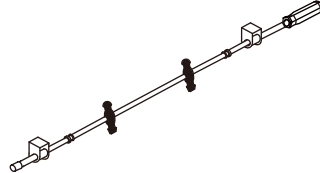
P7 - 2-Ivory Player
Rod Assembly
(1 pc)
** With Quick Connect
Rod Bushings &
Rod Handle **



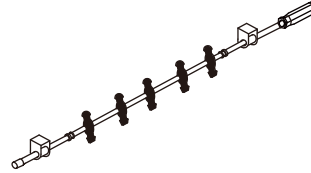
P8 - 5-Ivory Player
Rod Assembly
(1 pc)
** With Quick Connect
Rod Bushings &
Rod Handle **



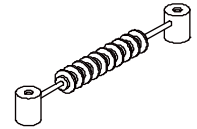
P9 - 3-Black Player
Rod Assembly
(2 pcs)
** With Quick Connect
Rod Bushings &
Rod Handle **



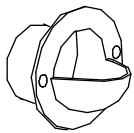
P10 - 2-Black Player
Rod Assembly
(1 pc)
** With Quick Connect
Rod Bushings &
Rod Handle **



P11 - 5-Black Player
Rod Assembly
(1 pc)
** With Quick Connect
Rod Bushings &
Rod Handle **



P12 - Manual
Scorer (2 pcs)



P13 - Ball Entry
Cup (2 pcs)



PARTS REQUIRED:

- 4 pcs - H1 Phillips Round Head Screw
- 6 pcs - H2 Phillips Flat Head Screw
- 2 pcs - P1 Side Apron
- 1 pc - P2 End Apron

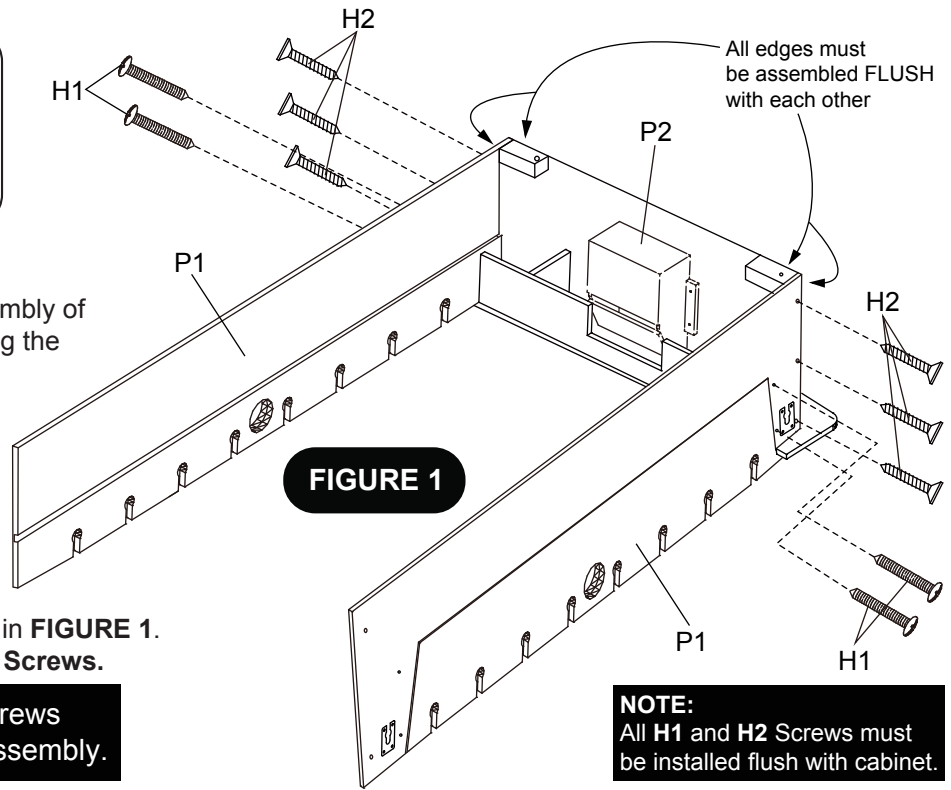
STEP 1:

Find a clean, level place to begin the assembly of your soccer table. We recommend building the table on the box top to protect the parts during assembly.

It is very important to assemble table on a level and flat surface. This will keep the end aprons and side aprons "FLUSH" on the top and bottom edges.

Attach P1 Side Aprons onto P2 End Apron using H1 and H2 Screws as shown in FIGURE 1. Tighten, but do not strip out H1 and H2 Screws.

IMPORTANT NOTE: Be sure H2 Screws are screwed "FLUSH" for later Leg assembly.



PARTS REQUIRED:

- 1 pc - P3 Playfield

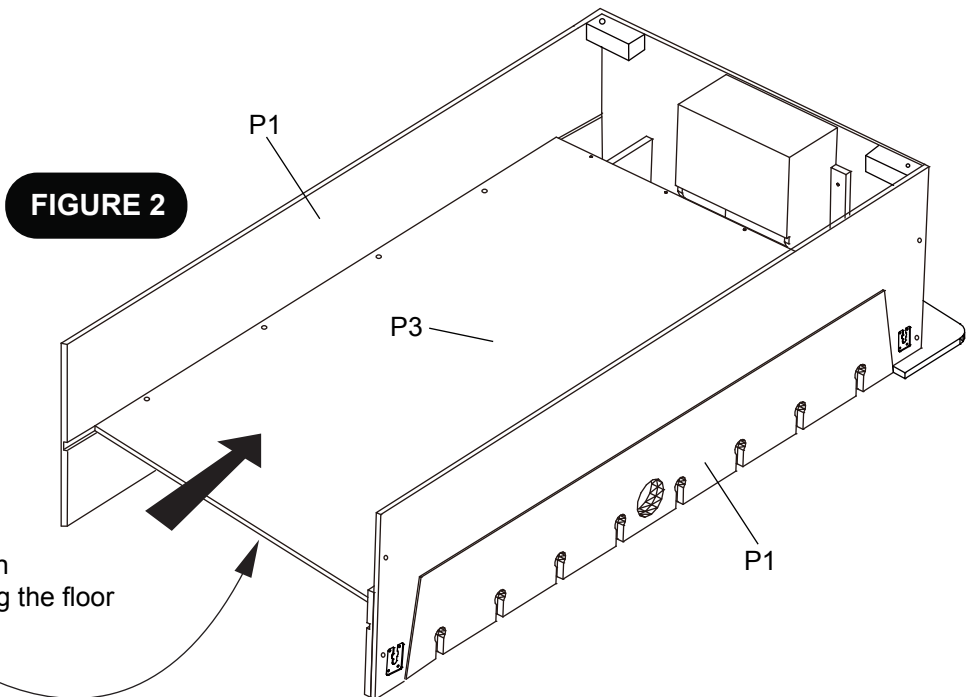
ATTENTION:

THIS STEP REQUIRES TWO OR MORE ADULTS.
VERY CAREFULLY SET P3 PLAYFIELD INTO THE GROOVES IN P1 SIDE APRONS.

STEP 2:

Set P3 Playfield into the grooves in P1 Side Aprons as shown in FIGURE 2.

NOTE:
Playfield Graphic on the underside facing the floor



STEP 3:

Attach **P2** End Apron onto **P1** Side Aprons using **H1** and **H2** Screws as shown in **FIGURE 3**.

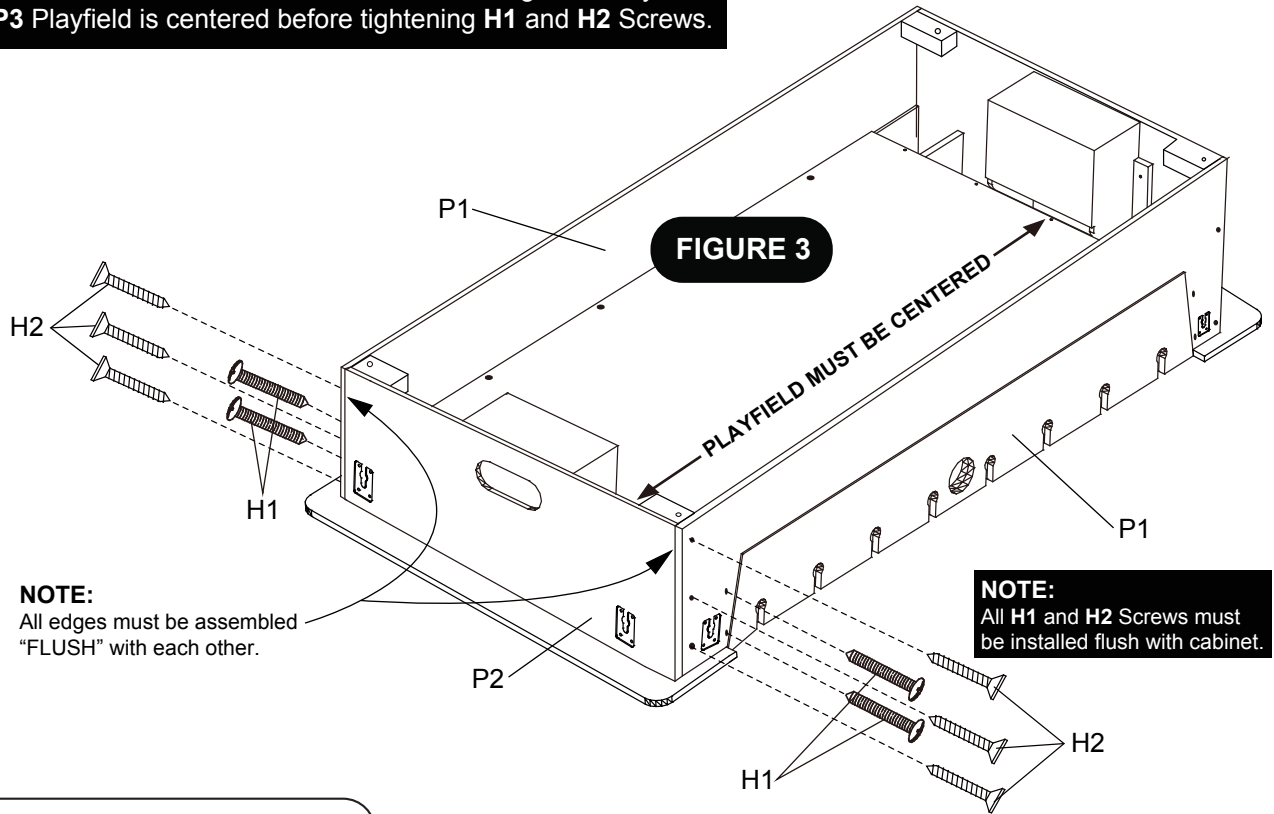
Tighten, but do not strip out **H1** and **H2** Screws.

IMPORTANT NOTE:

Be sure **H2** Screws are screwed "FLUSH" for later Leg assembly.
Be sure **P3** Playfield is centered before tightening **H1** and **H2** Screws.

PARTS REQUIRED:

- 4 pcs - **H1** Phillips Round Head Screw
- 6 pcs - **H2** Phillips Flat Head Screw
- 1 pc - **P2** End Apron



PARTS REQUIRED:

- 16 pcs - **H2** Phillips Flat Head Screw

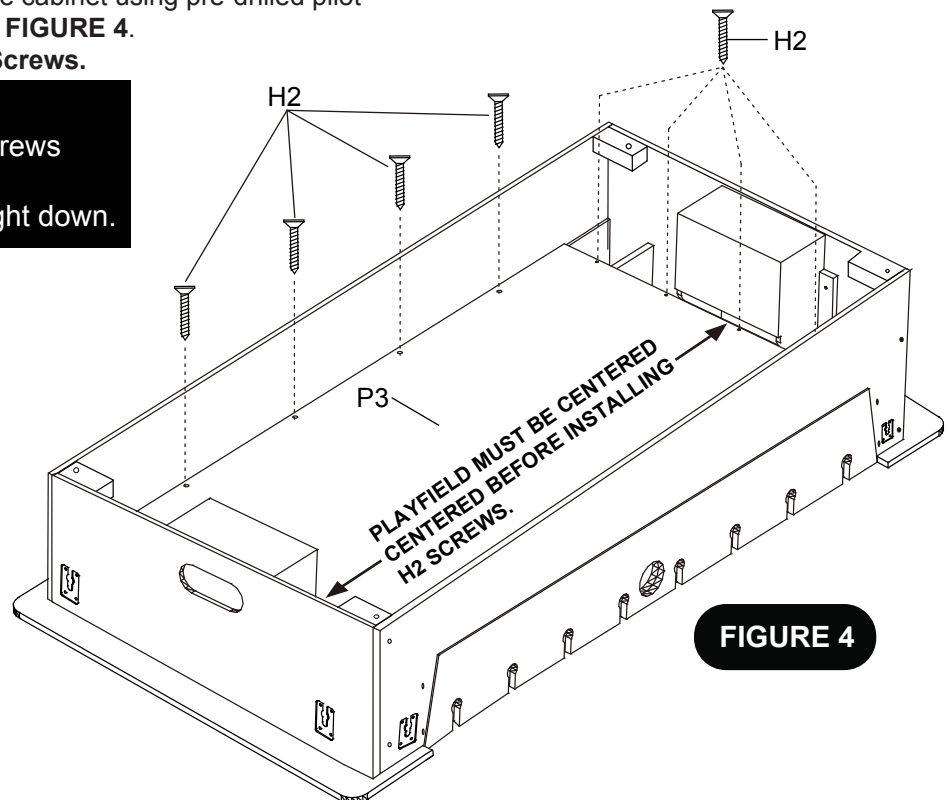
STEP 4:

Center and attach **P3** Playfield in the cabinet using pre-drilled pilot holes with **H2** Screws as shown in **FIGURE 4**.

Tighten, but do not strip out **H2** Screws.

IMPORTANT NOTE:

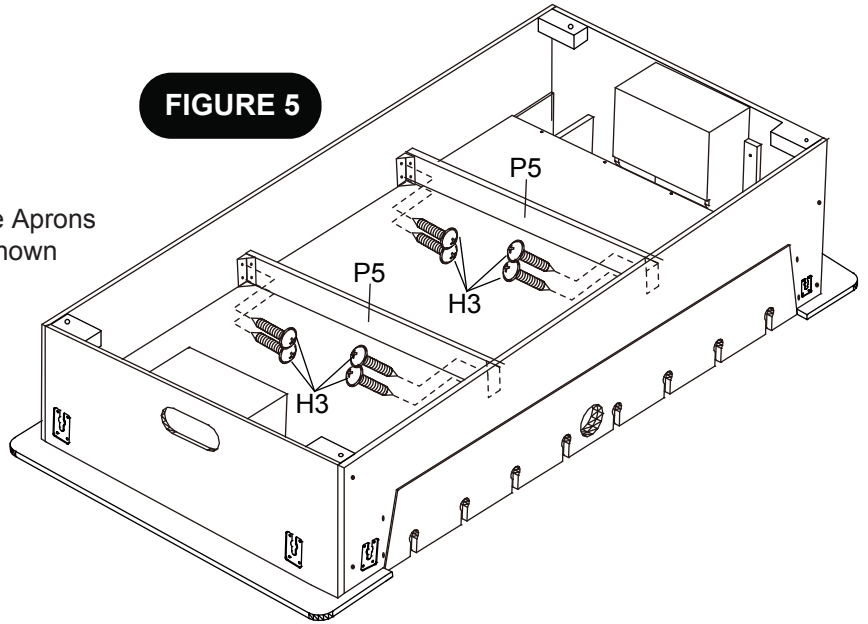
Please be sure to install **H2** Screws exactly as per **FIGURE 4**.
Screws must be screwed straight down.



PARTS REQUIRED:

- 8 pcs - H3 Phillips Round Head Screw
- 2 pcs - P5 Playfield Support Brace

FIGURE 5



STEP 5:

Attach **P5** Playfield Support Braces onto **P1** Side Aprons using pre-drilled pilot holes with **H3** Screws as shown in **FIGURE 5**.

Tighten, but do not strip out H3 Screws.

PARTS REQUIRED:

- 4 pcs - H4 Allen Head Bolts
- 4 pcs - H6 Lock Washer
- 4 pcs - H5 Flat Washer
- 4 pcs - P4 Leg
- 1 pc - T1 Allen Wrench

STEP 6:

Attach **P4** Legs onto **P1** Side Aprons and **P2** End Aprons as shown in **FIGURE 6** and **DETAIL A**.

Secure **P4** Legs using **H4** Allen Head Bolts, **H6** Lock Washers and **H5** Flat Washers as shown in **FIGURE 6**.

Use T1 Allen Wrench to tighten all P4 Legs.

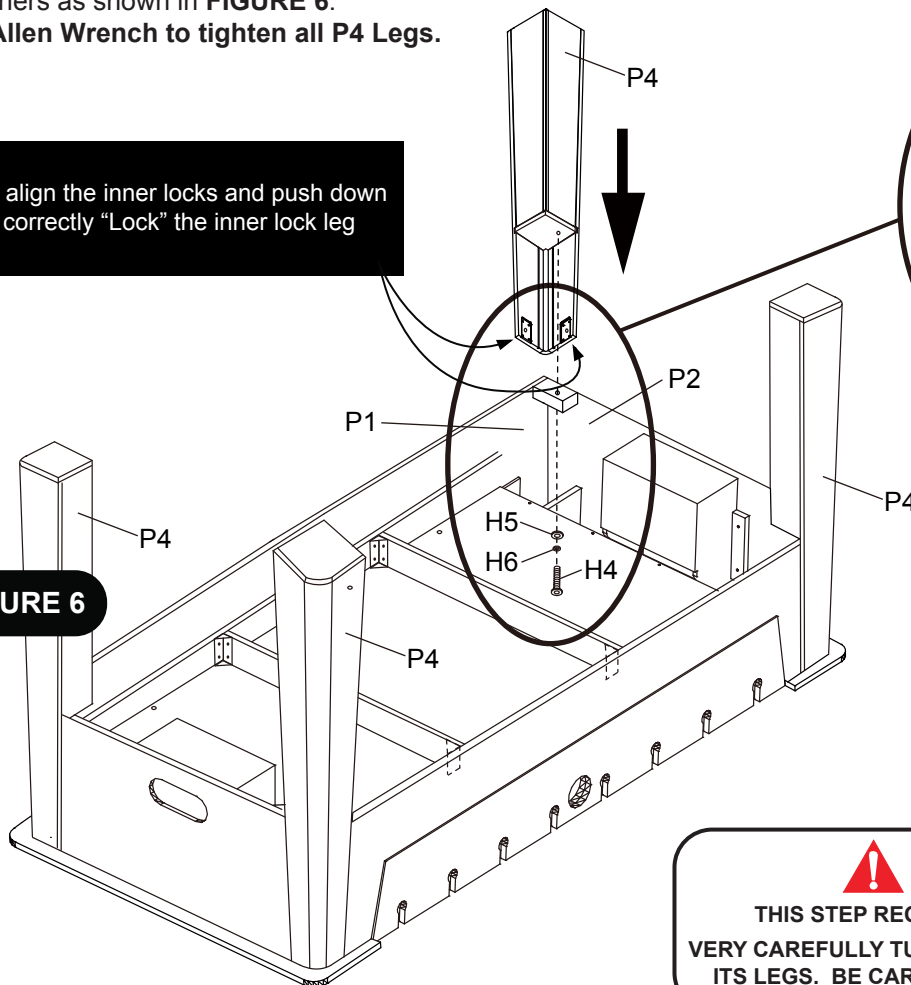
NOTE:

Please study this diagram for correct assembly.

NOTE:

Carefully align the inner locks and push down on leg to correctly "Lock" the inner lock leg design.

FIGURE 6



DETAIL A

NOTE:

Please watch closely that both male inner locks on the leg are correctly inside of and locked into the female counter part.

CAUTION:

THIS STEP REQUIRES TWO OR MORE ADULTS. VERY CAREFULLY TURN THE TABLE OVER AND SET IT ON ITS LEGS. BE CAREFUL. THE TABLE IS VERY HEAVY.

PARTS REQUIRED:

- 4 pcs - H7 Phillips Flat Head Screw
- 4 pcs - H8 Phillips Flat Head Screw
- 2 pcs - P6 3-Ivory Player Rod Assembly
- 1 pc - P7 2-Ivory Player Rod Assembly
- 1 pc - P8 5-Ivory Player Rod Assembly

- 2 pcs - P9 3-Black Player Rod Assembly
- 1 pc - P10 2-Black Player Rod Assembly
- 1 pc - P11 5-Black Player Rod Assembly
- 2 pcs - P12 Manual Scorer
- 2 pcs - P13 Ball Entry Cup

FOR "EASE OF ASSEMBLY", YOU WILL NOW EXPERIENCE THE TECHNOLOGY OF THE "QUICK CONNECT ROD ASSEMBLY".

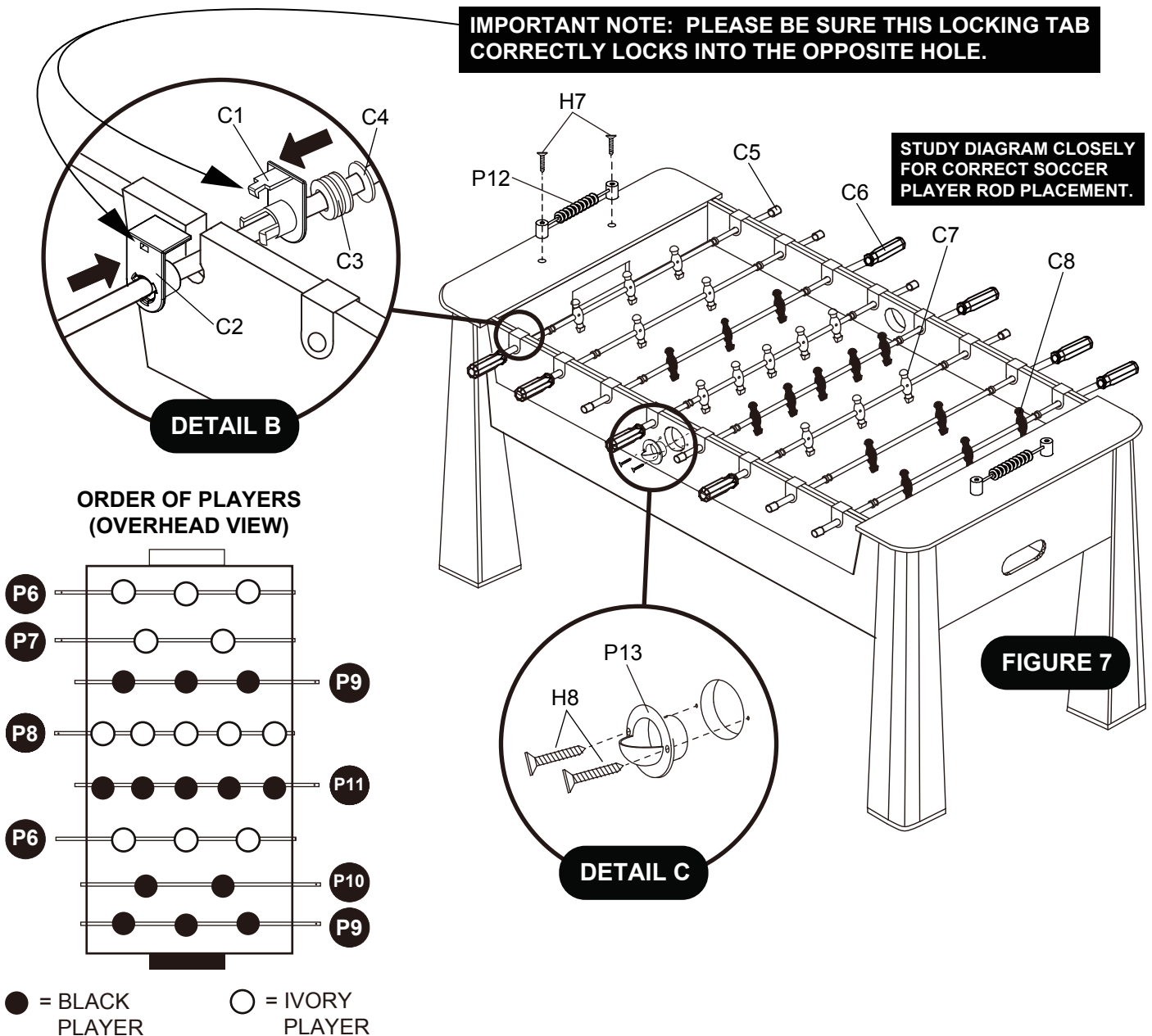
STEP 7:

Attach **P6** 3-Ivory Player Rod Assemblies, **P7** 2-Ivory Player Rod Assembly and **P8** 5-Ivory Player Rod Assembly as shown in **FIGURE 7**, **PLACEMENT OF PLAYERS AND QUICK CONNECT ROD BUSHINGS ASSEMBLY IN DETAIL B.**

Attach **P9** 3-Black Player Rod Assemblies, **P10** 2-Black Player Rod Assembly and **P11** 5-Black Player Rod Assembly as shown in **FIGURE 7**, **PLACEMENT OF PLAYERS AND QUICK CONNECT ROD BUSHINGS ASSEMBLY IN DETAIL B.**

Attach **P12** Manual Scorers on **P2** End Aprons using pre-drilled pilot holes with **H7** Screws as shown in **FIGURE 7**. **Tighten, but do not strip out H7 Screws.**

Attach **P13** Ball Entry Cups on **P1** Side Aprons using pre-drilled pilot holes with **H8** Screws as shown in **FIGURE 7**. **Tighten, but do not strip out H8 Screws.**



Congratulations! You have now assembled your soccer table. Please note the Care and Use instructions below to insure many years of trouble free use of your soccer table.

CARE AND USE OF YOUR 60" MILAN SOCCER TABLE

1. **Apply a few drops of lubricant (not provided) to the rods and the bushings. Rotate rods to make sure you spread lubricant evenly.**
2. Use spray furniture polish to clean all exterior surfaces of your soccer table.
3. Use a carpenters level to properly level table using the leg levelers.
4. This product is intended for **INDOOR** use only.
5. **DO NOT** sit, climb or lean on the table.
6. **DO NOT** drag the table when moving it. This will damage the legs.
7. **DO NOT** set drinks on the table.

PRODUCT PARTS LIST FOR MODEL # 45-6077W

Key #	Part #	Description	Qty.
H1	45-6077HLH1	4 mm x 45 mm Phillips Round Head Screw	8
H2	45-6077HLH2	4 mm x 40 mm Phillips Flat Head Screw	28
H3	45-6077HLH3	3.5 mm x 12 mm Phillips Round Head Screw	8
H4	45-6077HLH4	8 mm x 50 mm Allen Head Bolt	4
H5	45-6077HLH5	8.5 mm x 19 mm Flat Washer	4
H6	45-6077HLH6	8.5 mm Lock Washer	4
H7	45-6077HLH7	3.5 mm x 18 mm Phillips Flat Head Screw	4
H8	45-6077HLH8	3.5 mm x 12 mm Phillips Flat Head Screw	4
T1	45-6077HLT1	Allen Wrench	1
P1	45-6077HLP1	Side Apron	2
P2	45-6077HLP2	End Apron	2
P3	45-6077HLP3	Playfield	1
P4	45-6077HLP4	Leg	4
P5	45-6077HLP5	Playfield Support Brace	2
P6	45-6077HLP6	3-Ivory Player Rod Assembly	2
P7	45-6077HLP7	2-Ivory Player Rod Assembly	1
P8	45-6077HLP8	5-Ivory Player Rod Assembly	1
P9	45-6077HLP9	3-Black Player Rod Assembly	2
P10	45-6077HLP10	2-Black Player Rod Assembly	1
P11	45-6077HLP11	5-Black Player Rod Assembly	1
P12	45-6077HLP12	Manual Scorer	2
P13	45-6077HLP13	Ball Entry Cup	2
A1	45-6077HLA1	Soccer Ball	4
C1	45-6077HLC1	Male Rod Bushing (Pre-Installed)	16
C2	45-6077HLC2	Female Rod Busing (Pre-Installed)	16
C3	45-6077HLC3	Rod Bumper (Pre-Installed)	16
C4	45-6077HLC4	Rod Washer (Pre-Installed)	16
C5	45-6077HLC5	Rod End Cap (Pre-Installed)	8
C6	45-6077HLC6	Rod Handle (Pre-Installed)	8
C7	45-6077HLC7	Ivory Player (Pre-Installed)	13
C8	45-6077HLC8	Black Player (Pre-Installed)	13
C9	45-6077HLC9	4mm x 25mm Phillips Round Head Bolt (Pre-Installed)	26
C10	45-6077HLC10	4mm Lock Nut (Pre-Installed)	26
K1	45-6077HLK1	Hardware Kit	1
M1	45-6077HLM1	Owner's Manual	1

90 DAY LIMITED WARRANTY

This consumer warranty extends to the original consumer purchase of any ESCALADESPORTS Product (hereinafter referred as the "Product").

WARRANTY DURATION: This Product is warranted to the original consumer purchase of a period of 90 days from the original purchase.

WARRANTY COVERAGE: ESCALADE SPORTS warrants to the original Consumer Purchaser that any Product of its manufacture is free from defects in material and workmanship when used for the intended purpose under normal use and conditions. THIS WARRANTY IS VOID IF THE PRODUCT HAS BEEN DAMAGED BY ACCIDENT, UNREASONABLE USE, NEGLIGENCE, IMPROPER SERVICE, FAILURE TO FOLLOW INSTRUCTIONS PROVIDED WITH THE PRODUCT OR OTHER CAUSES NOT ARISING OUT OF DEFECTS IN MATERIAL AND WORKMANSHIP.

WARRANTY PERFORMANCE: During the above 90 day warranty period, ESCALADESPORTS shall repair or replace with a comparable model, and Product, or component thereof, which may prove defective under normal use and proper care, and which our examination shall disclose to our satisfaction to be thus defective, please contact our Warranty Dept.

1-888-996-2729 / Warranty Dept.

Or Write us at:

Escalade® Sports, Inc. - P.O. Box 889, Evansville, IN 47706

Attn: Warranty Dept.

Or E-mail us at:

gamerom@escaladesports.com

Other than shipping requirements no charge will be made for such repair or replacement of in-warranty Products. ESCALADE SPORTS strongly recommends that the Product is insured for value prior to mailing.

WARRANTY DISCLAIMERS: ANY IMPLIED WARRANTIES ARISING OUT OF THIS SALE, INCLUDING BUT NOT LIMITED TO THE IMPLIED WARRANTIES OF MERCHANTABILITY AND FITNESS FOR A PARTICULAR PURPOSE, ARE LIMITED IN DURATION TO THE ABOVE 90 DAY PERIOD. ESCALADE SPORTS SHALL NOT BE LIABLE FOR LOSS OF USE OF THE PRODUCT OR OTHER CONSEQUENTIAL OR INCIDENTAL COSTS, EXPENSES OR DAMAGES INCURRED BY THE CONSUMER OF ANY OTHER USE.

Some states do not allow the exclusion or limitation of implied warranties or consequential or incidental damages, so the above limitations or exclusions may not apply to you.

LEGAL REMEDIES: This warranty gives you specific legal rights and you may also have other rights which may vary from state to state.