

# **SPEAKMAN®**

SLV-5080-ADA

## **Installation, Operation & Maintenance Instructions**

SENTINELPRO™ COMBINATION SERIES

### **DESCRIPTION**

Speakman SentinelPro™ Combination, SLV-5080-ADA includes: Trim (CPT-5001), Shower Arm with Wall Flange (S-2500), Hand Shower with Flow Control (VS-100-PC), Shower Arm Bracket, 60in Shower Hose with Built-in Vacuum Breaker, and 24in ADA Combination Grab/Slide Bar (VS-153-ADA). This combination does not include the Shower Valve.

### **TP**

This combination should be installed with one of the following Speakman SentinelPro™ Thermostatic/Pressure Balance Shower Valves

- CPV-TP:** Thermostatic/Pressure Balance Shower Valve  
Sweat & Thread Connections
- CPV-TP-PXC:** Thermostatic/Pressure Balance Shower Valve  
PEX F1807 Crimp Inlet Connections
- CPV-TP-PXE:** Thermostatic/Pressure Balance Shower Valve  
PEX F1960 Cold-Expansion Inlet Connections

### **SPECIFICATIONS**

#### **CPT-5001 T/P VALVE TRIM:**

FINISH: Polished Chrome

COMPLIANCE: ASME A112.18.1 / CSA B125.1 Standard

#### **S-2500 SHOWER ARM WITH WALL FLANGE:**

CONNECTIONS: ½" NPT Male Inlet & Outlet

FINISH: Polished Chrome

#### **VS-1001-ADA-PC HANDICAP SHOWER COMBINATION:**

##### **VS-100-PC HAND SHOWER WITH FLOW CONTROL:**

CONNECTIONS: ½" NPSM Male Inlet

FLOW RATE: 2.5 gpm (9.5 L/min)

FINISH: Polished Chrome

COMPLIANCE: ASME A112.18.1 / CSA B125.1 Standard

##### **SHOWER ARM BRACKET:**

CONNECTIONS: ½" NPSM Male Inlet; ½" NPSM Female Outlet

FINISH: Polished Chrome

##### **60in SHOWER HOSE (w/ BUILT-IN VACUUM BREAKER):**

CONNECTIONS: ½" NPSM Female Inlet & Outlet

FINISH: Polished Chrome

##### **VS-153-ADA 24in ADA COMBINATION GRAB/SLIDE BAR:**

FINISH: Polished Chrome

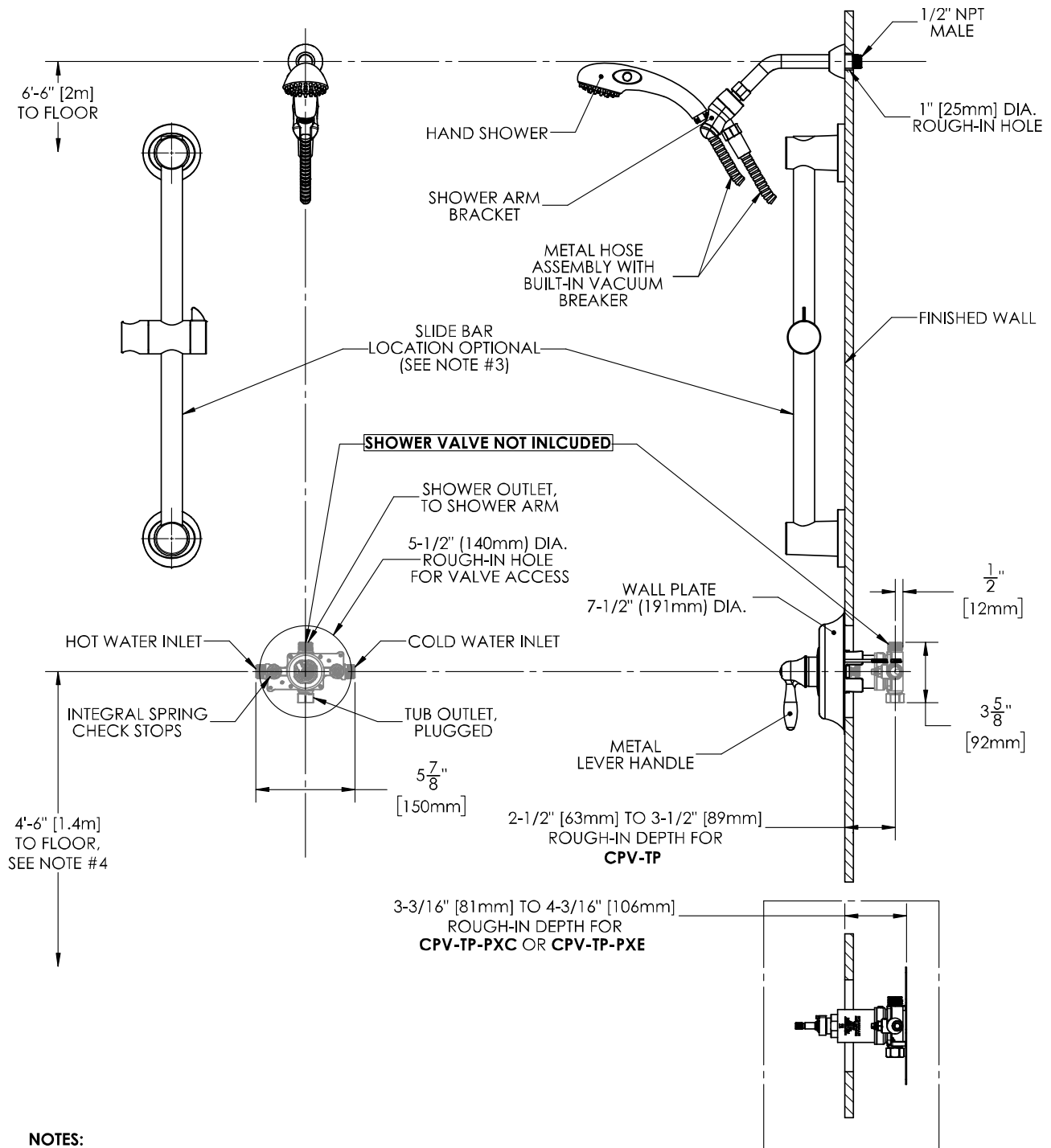
COMPLIANCE: Meets 250 lbs pull test for Grab Bars per ANSI Standard; Meets requirements of ADA Lever Handle for adjusting Slide Bar

## **SPEAKMAN®**

# INSTRUCTIONS

See individual products for installation of the components and warranty information.

## ROUGH-IN



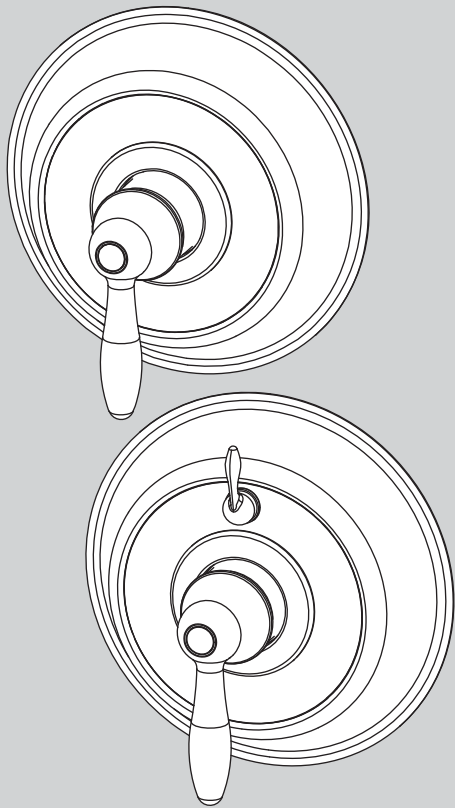
### NOTES:

1. ALL DIMENSIONS ARE IN INCHES [MILLIMETERS] UNLESS OTHERWISE SPECIFIED AND ARE SUBJECT TO CHANGE WITHOUT NOTICE.
2. ALL INLETS AND OUTLETS ARE 1/2" FEMALE COPPER SWEAT AND 1/2" MALE NPT UNLESS OTHERWISE SPECIFIED.
3. THE LOCATION OF THE SLIDE BAR IS OPTIONAL, BUT RESTRICTED BY THE 60' HOSE LENGTH RUNNING FROM THE SHOWER ARM BRACKET TO THE HAND SHOWER.
4. FOR ADA MOUNTING LOCATIONS CONSULT ADA ACCESSIBILITY GUIDELINES (ADAAG), ANSI A117.1 STANDARD, OR STATE REGULATIONS.

**SPEAKMAN®**

## INSTRUCTIONS FOR MODELS

CPT-5001 / CPT-5401



### NEED HELP?

For additional assistance or service please contact:

**SPEAKMAN**® Company  
400 Anchor Mill Road  
New Castle, DE 19720

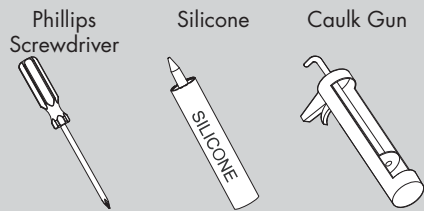
800-537-2107

customerservice@speakman.com

www.speakman.com

92-CPT-5001-01

## TOOLS AND SUPPLIES



### IMPORTANT

- Do not over-tighten any connections or damage may occur.
- Be sure to read instructions thoroughly before beginning installation.
- This valve has an operating range of 20-80 psi.

### SAFETY TIPS

Cover your drain to prevent loss of parts. Be sure to wear eye protection while cutting pipe.

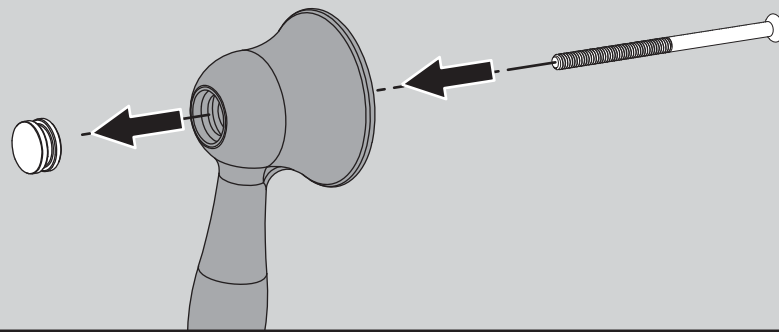
### MAINTENANCE

Your new Speakman Product is designed for years of trouble-free performance. Keep it looking new by cleaning it periodically with a soft cloth. The use of harsh chemicals and abrasives on any of the Speakman custom finish products may damage the finish and void the product warranty. Please be sure to only use approved cleaners. Please contact Speakman for any clarification of acceptable cleaners.

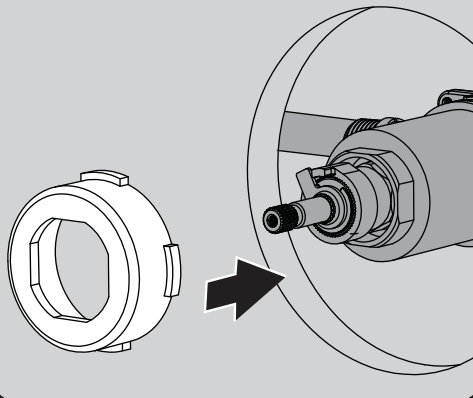
### WARRANTY

Additional warranty information can be found at: [www.speakman.com](http://www.speakman.com)

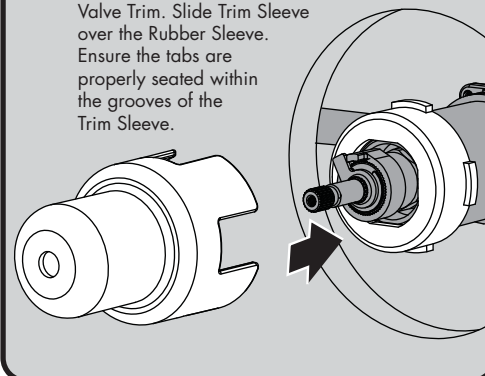
**1** Remove the Handle Button Screw by inserting one of the included Mounting Screws thru the hole in the Handle.



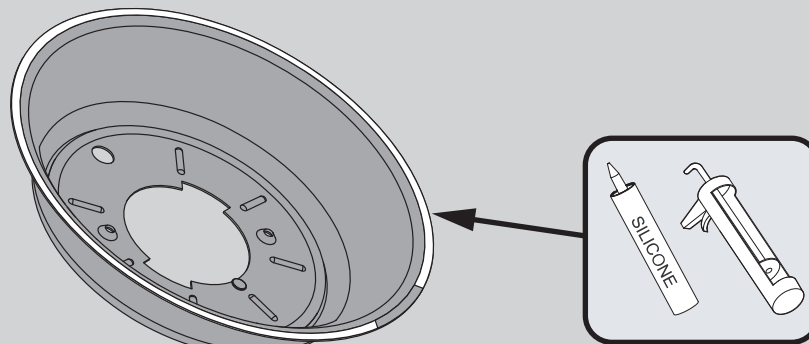
**2** Insert the T/P Rubber Sleeve with Tabs over Valve Bonnet.



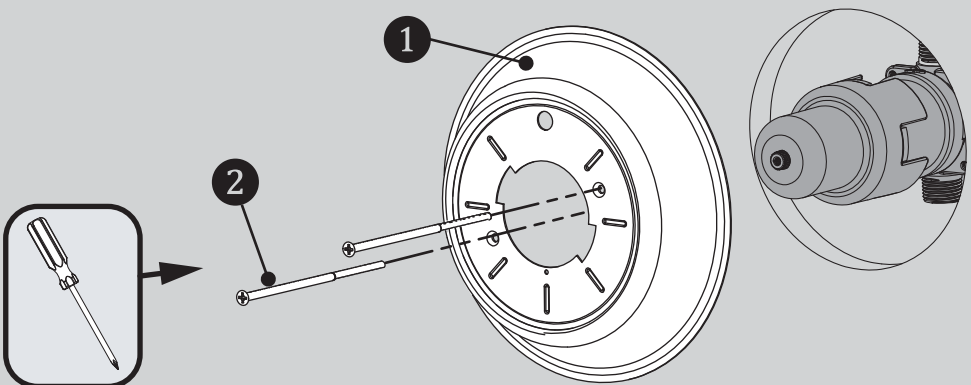
**3** Be sure to have properly adjusted the Temperature Limiting Stop (TLS) as per the Valve Installation Instructions before installing Valve Trim. Slide Trim Sleeve over the Rubber Sleeve. Ensure the tabs are properly seated within the grooves of the Trim Sleeve.



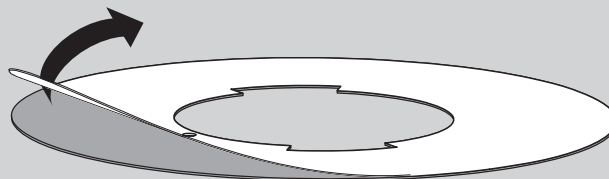
**4** Clean wall surface. Orient Wall Plate as shown below. Apply clear silicone sealant to the backside outer flat surface of the Wall Plate, while leaving a small area open at the bottom. This will allow for any moisture to drain.



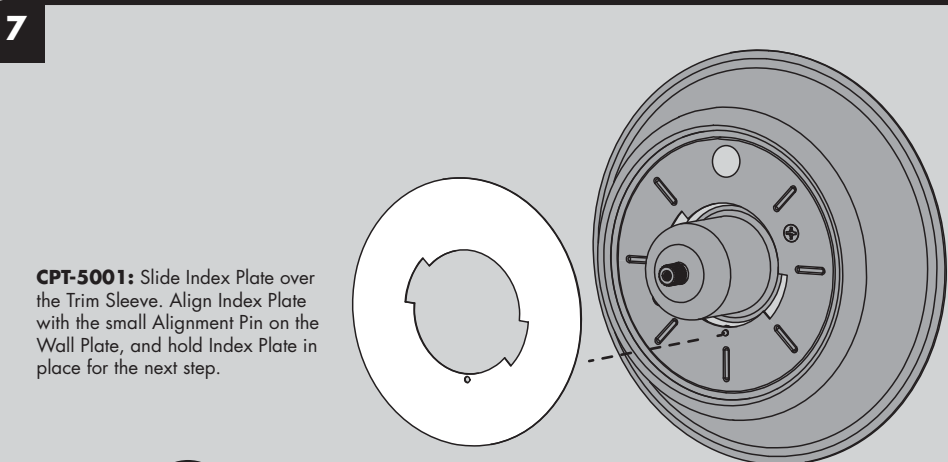
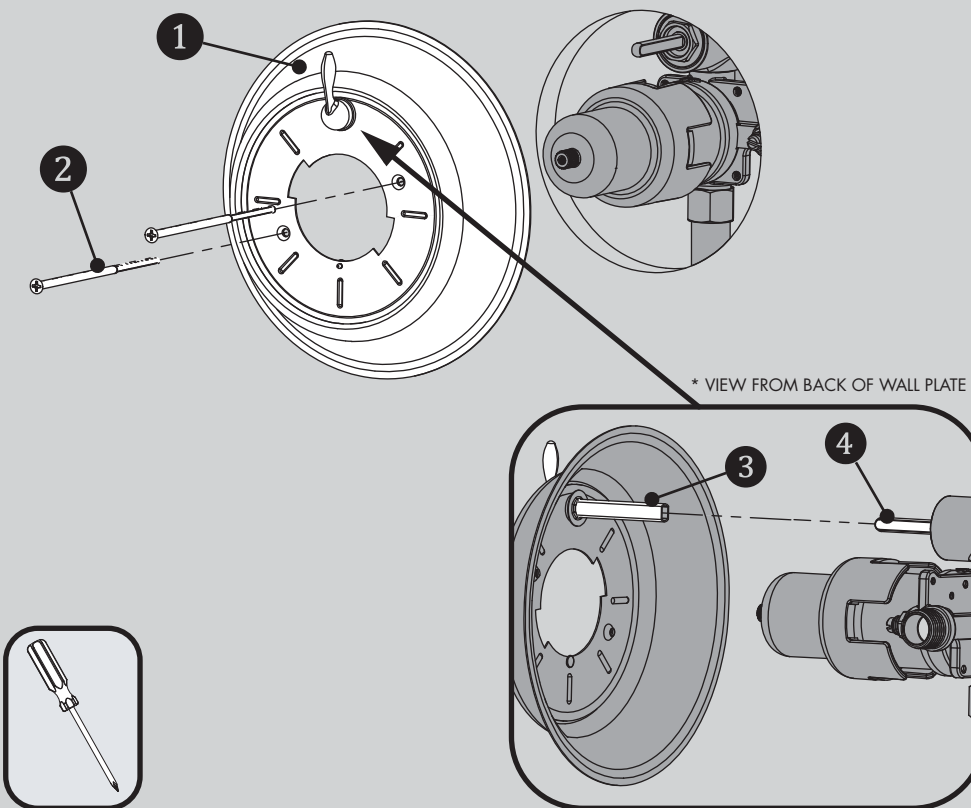
**5A FOR CPT-5001** - Align the Wall Plate (1) as shown below. Secure to Valve with the included Mounting Screws (2). Take care to not over tighten Mounting Screws. Remove excess sealant after securing Wall Plate to wall.



**6** Remove protective film from Trim Index Plate.

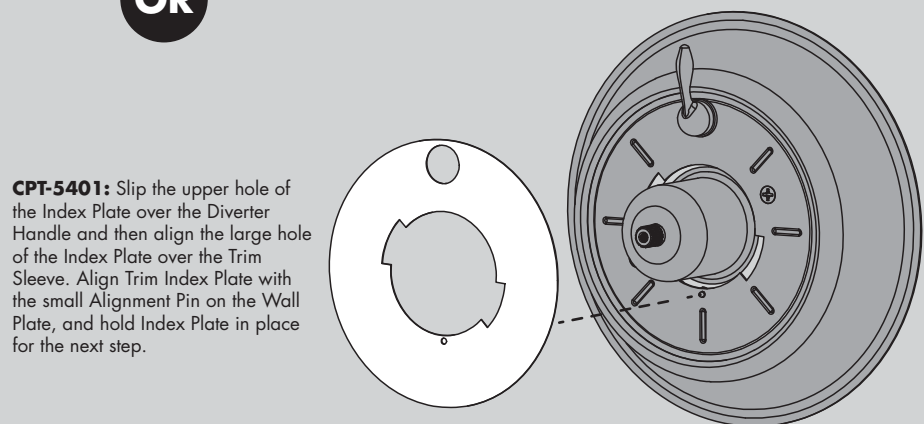


**5B FOR CPT-5401** - Align the Wall Plate (1) as shown below. Verify the Diverter Valve Stem is in the OFF (vertical) position. Align the Diverter Drive Tube (3) on the Wall Plate to the Stem (4) of the Diverter Valve. Secure to Valve with the included Mounting Screws (2). Take care to not over tighten Mounting Screws. Remove excess sealant after securing Wall Plate to wall.

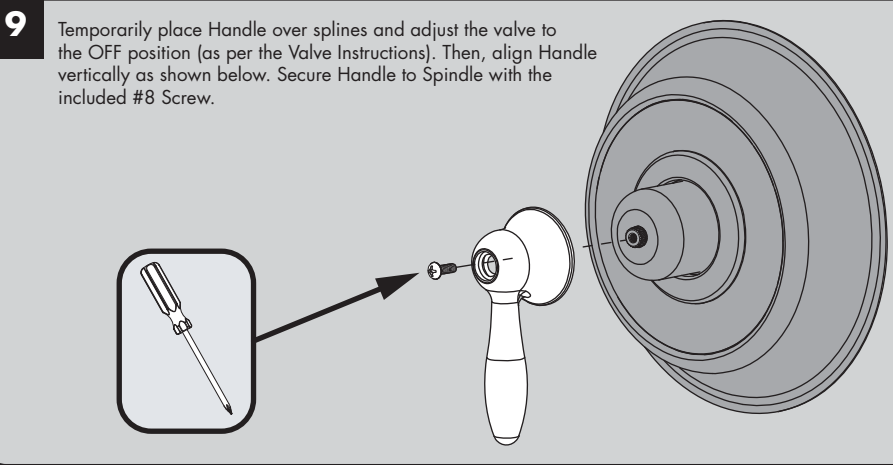
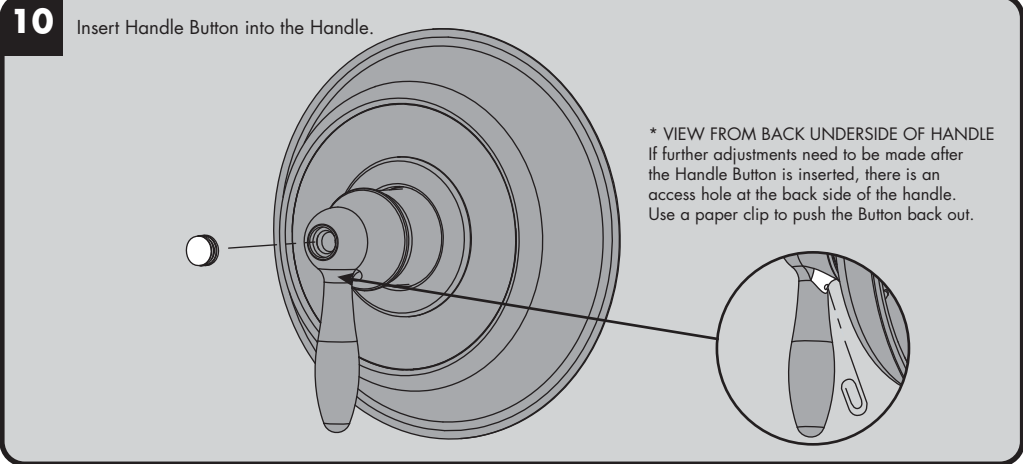
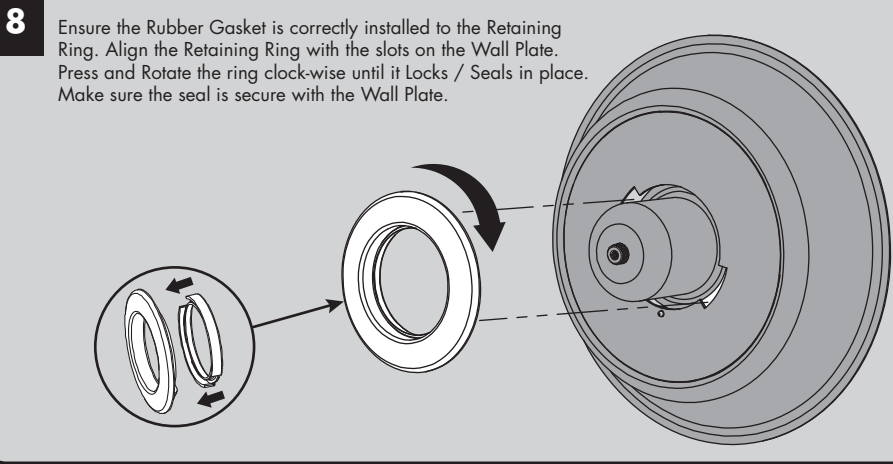


**CPT-5001:** Slide Index Plate over the Trim Sleeve. Align Index Plate with the small Alignment Pin on the Wall Plate, and hold Index Plate in place for the next step.

**OR**

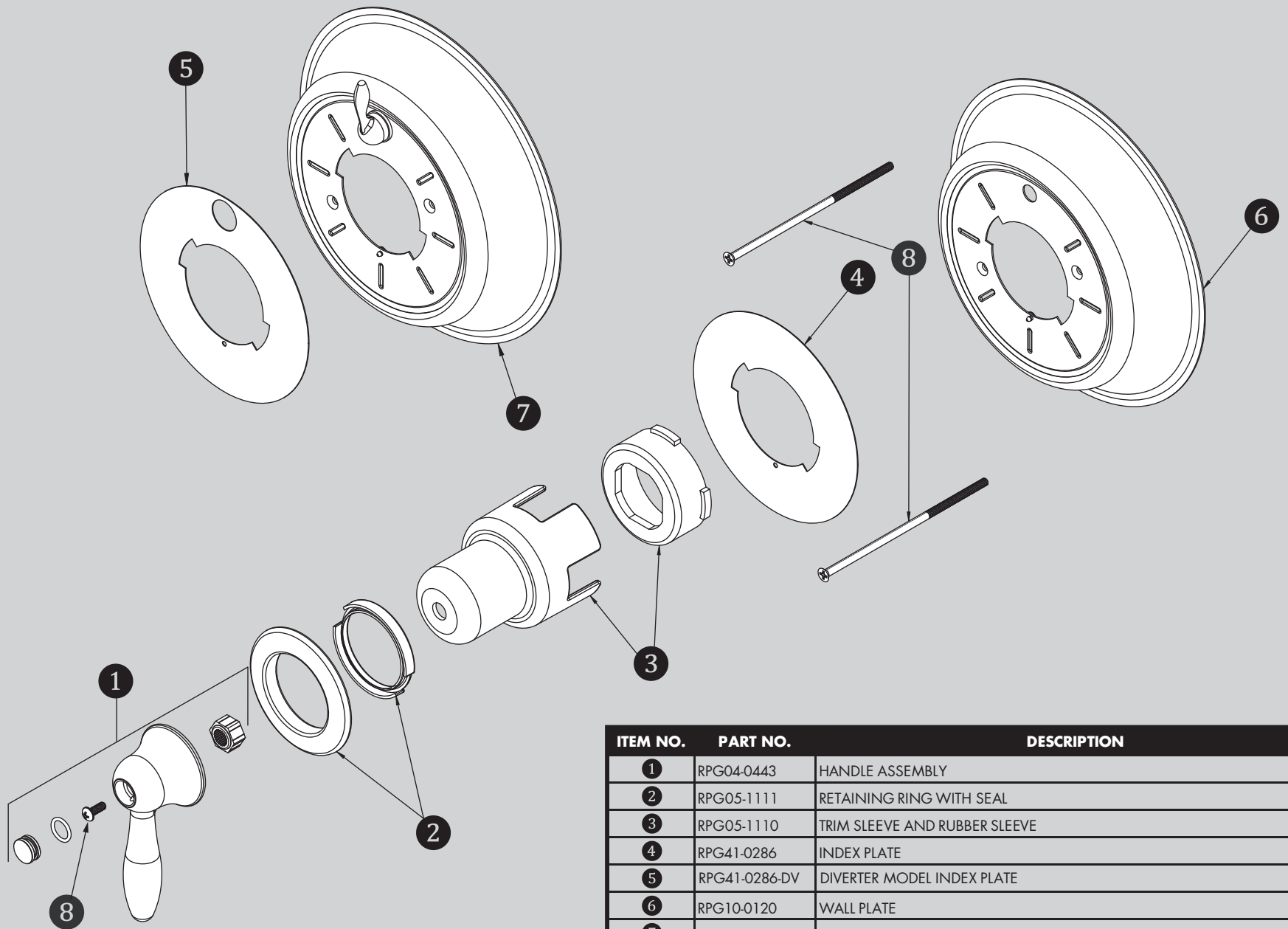


**CPT-5401:** Slip the upper hole of the Index Plate over the Diverter Handle and then align the large hole of the Index Plate over the Trim Sleeve. Align Trim Index Plate with the small Alignment Pin on the Wall Plate, and hold Index Plate in place for the next step.



**CPT-5001 / CPT-5401 REPAIR PARTS**

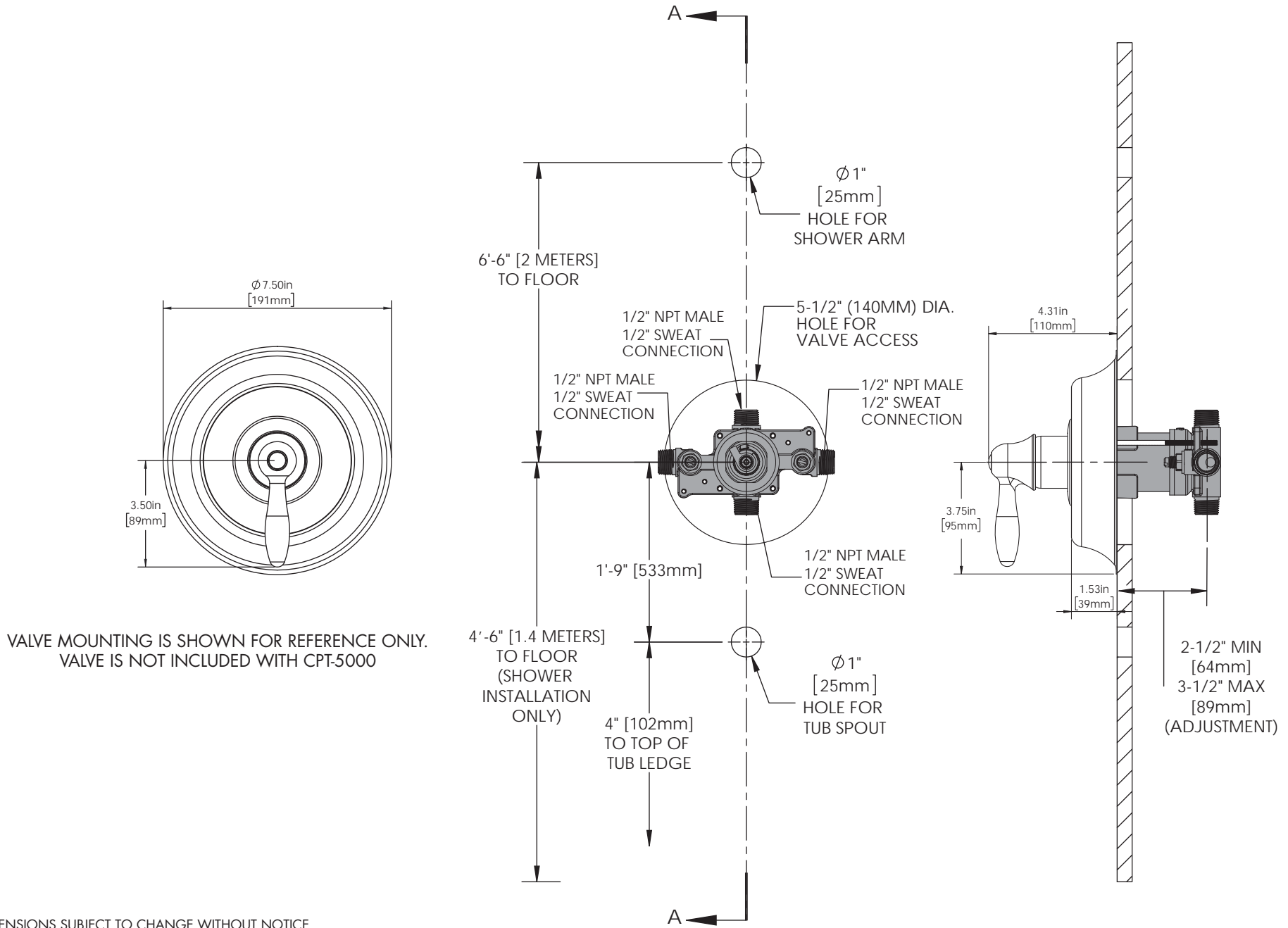
**SPEAKMAN®**



ITEM NO.	PART NO.	DESCRIPTION
1	RPG04-0443	HANDLE ASSEMBLY
2	RPG05-1111	RETAINING RING WITH SEAL
3	RPG05-1110	TRIM SLEEVE AND RUBBER SLEEVE
4	RPG41-0286	INDEX PLATE
5	RPG41-0286-DV	DIVERTER MODEL INDEX PLATE
6	RPG10-0120	WALL PLATE
7	RPG10-0121	WALL PLATE WITH DIVERTER
8	RPG10-0119	MOUNTING HARDWARE (ALL SCREWS)

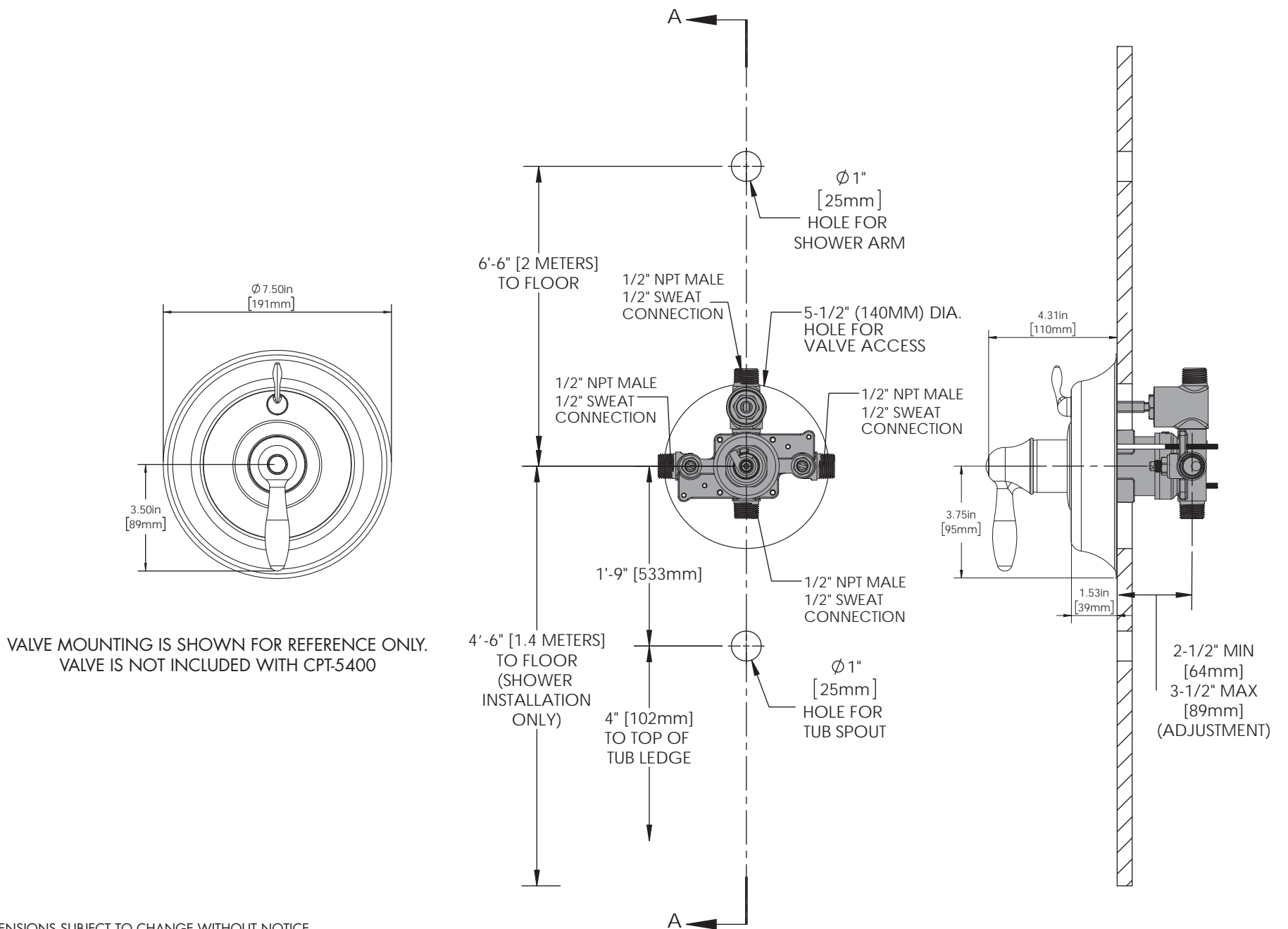
**CPT-5001 ROUGH-IN DIAGRAM**

**SPEAKMAN®**



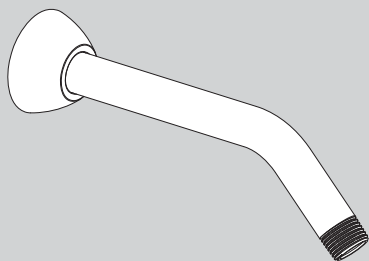
**CPT-5401 ROUGH-IN DIAGRAM**

**SPEAKMAN®**



## INSTRUCTIONS FOR MODELS

### S-2500



### NEED HELP?

For additional assistance or service please contact:

**SPEAKMAN**® Company  
400 Anchor Mill Road  
New Castle, DE 19720

800-537-2107

customerservice@speakman.com

www.speakman.com

92-S-2500-R5

## TOOLS AND SUPPLIES

Thread Seal  
Tape



### IMPORTANT



Be sure to read instructions thoroughly before beginning installation. Do not overtighten any connections or damage may occur.

### SAFETY TIPS

Cover your drain to prevent loss of parts.

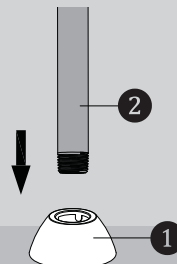
### MAINTENANCE

Your new Shower Arm is designed for years of trouble-free performance. Keep it looking new by cleaning it periodically with a soft cloth. Avoid abrasive cleaners, steel wool and harsh chemicals as these will dull the finish and void your warranty.

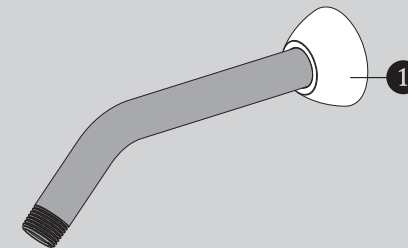
### WARRANTY

Additional warranty information can be found at:  
[www.speakman.com](http://www.speakman.com)

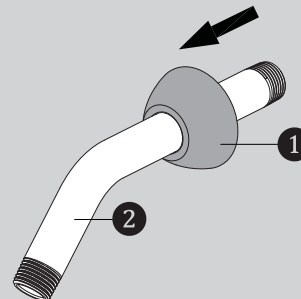
- 1** Place the Escutcheon Plate (1) on a flat surface. Push the long end of the Shower Arm (2) down into the plate. This will help the teeth of the plate slide over the arm easier.



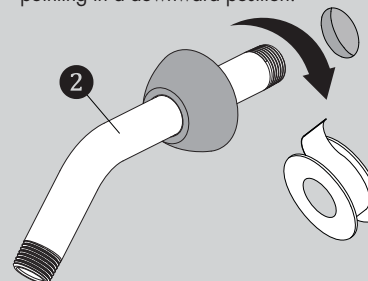
- 4** Position Escutcheon Plate (1) flat against wall.



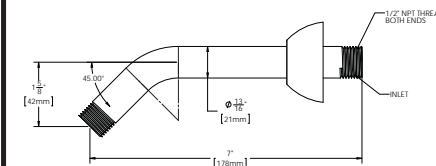
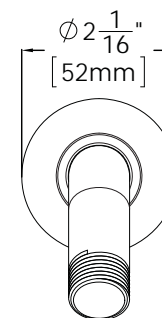
- 2** Once the Escutcheon Plate (1) is on the shower arm, slide the plate over the Shower Arm (2).



- 3** Apply Teflon Tape to inlet side of Shower Arm (2). Thread Shower Arm (2) into Female Pipe Fitting within the wall. Firmly tighten, and make sure Shower Arm (2) Outlet is pointing in a downward position.



## ROUGH IN DIMENSIONS



### Specifications:

Supply Inlet: 1/2" NPT MALE

Outlet: 1/2" NPT MALE



# **SPEAKMAN®**

VS-2954, VS-1001-ADA-PC

## **Installation, Maintenance & Operation Instructions**

ADA / HANDICAP SHOWER AND BAR

### **DESCRIPTION**

Speakman ADA handicap shower system includes hand held shower (VS-100-PC), 5' stainless steel hose with built in vacuum breaker, shower arm bracket, and 24" grab/ slide bar assembly (VS-153-ADA). Connects to standard shower arm. Shower arm flange (10-0219-PC-P) and 8" shower arm (42-0029-PC) for VS-2954 model only. Chrome handheld shower puts out 2.5 GPM/9.46 LPM to meet ANSI A112.18.1 Standard. ADA Compliant.

### **SPECIFICATIONS**

INLET SUPPLY:

(VS-1001-ADA-PC) ½" NPT FEMALE

(VS-2954) ½" NPT MALE

FLOW RATE: 2.5 GPM/9.46 LPM, MAX., HAND HELD VARIABLE

SHIPPING WEIGHT:

(VS-1001-ADA-PC) 4.5 LBS.

(VS-2954) 4.9 LBS.

### **INSTALLATION**

For VS-2954 model only. Slip the wall flange onto the shower arm. Apply thread seal tape clockwise onto the male threads and screw arm into supply piping behind wall. Wrench tighten. Slip wall flange to wall. Check for leaks.

Remove (turn counterclockwise) your existing showerhead from the shower arm. Clean the shower arm threads of any debris and wrap thread seal tape in the clockwise direction around threads. Assemble shower arm bracket to the shower arm. Hand tighten firmly. Assemble the 5' hose to the bottom of the shower arm bracket. Hand tighten firmly. Then attach the other end of the hose to the hand held shower. Make sure the hose to hand held connection seals on the O-ring at the bottom of the hand held to prevent leaks. When installing the bar, the location is optional but limited to the length of the hose. For installation of the grab/ slide bar, hold the bar against the wall in the chosen location. Using a pencil, mark the drill hole positions (4 in total) for the lower and upper mounting brackets. If using as a grab bar, be sure to fasten securely to a wall stud. (Note: upper mounting bracket height is adjustable) To mount the brackets, use a No. 10 (0.1935 inches/5.5mm) masonry drill bit to make a hole approximately 1-3/8 inches (35 mm) deep. Push the plastic anchors (4 in total) into the drilled holes, unless your mounting to wall studs, where anchors can be omitted. (Note: plastic anchors may not be suitable for all types of wall construction, seek professional help if in doubt) Fix upper mounting bracket and then the lower mounting bracket to the wall using four (4) screws provided. Push the bracket covers over the mounting brackets while paying close attention to cover orientation for proper placement.

### **OPERATION**

To operate the handheld shower, push the pause button to one side to bring the flow down to a trickle, then simply push it to the other side to turn the flow back on full force.

### **MAINTENANCE**

The finish of your SPEAKMAN VERSATILE® hand held shower and all the other components can be cleaned by using mild soap and warm water. Dry immediately with a soft, clean cloth for best results. The flow control device limits water flow to 2.5 gallons per minute, and is in the base of the handheld. The small orifice in the flow regulator, resulting in lower flow and a weaker performance, may become clogged. To clean the flow regulator, simply remove the hose from the hand shower and clean as necessary.

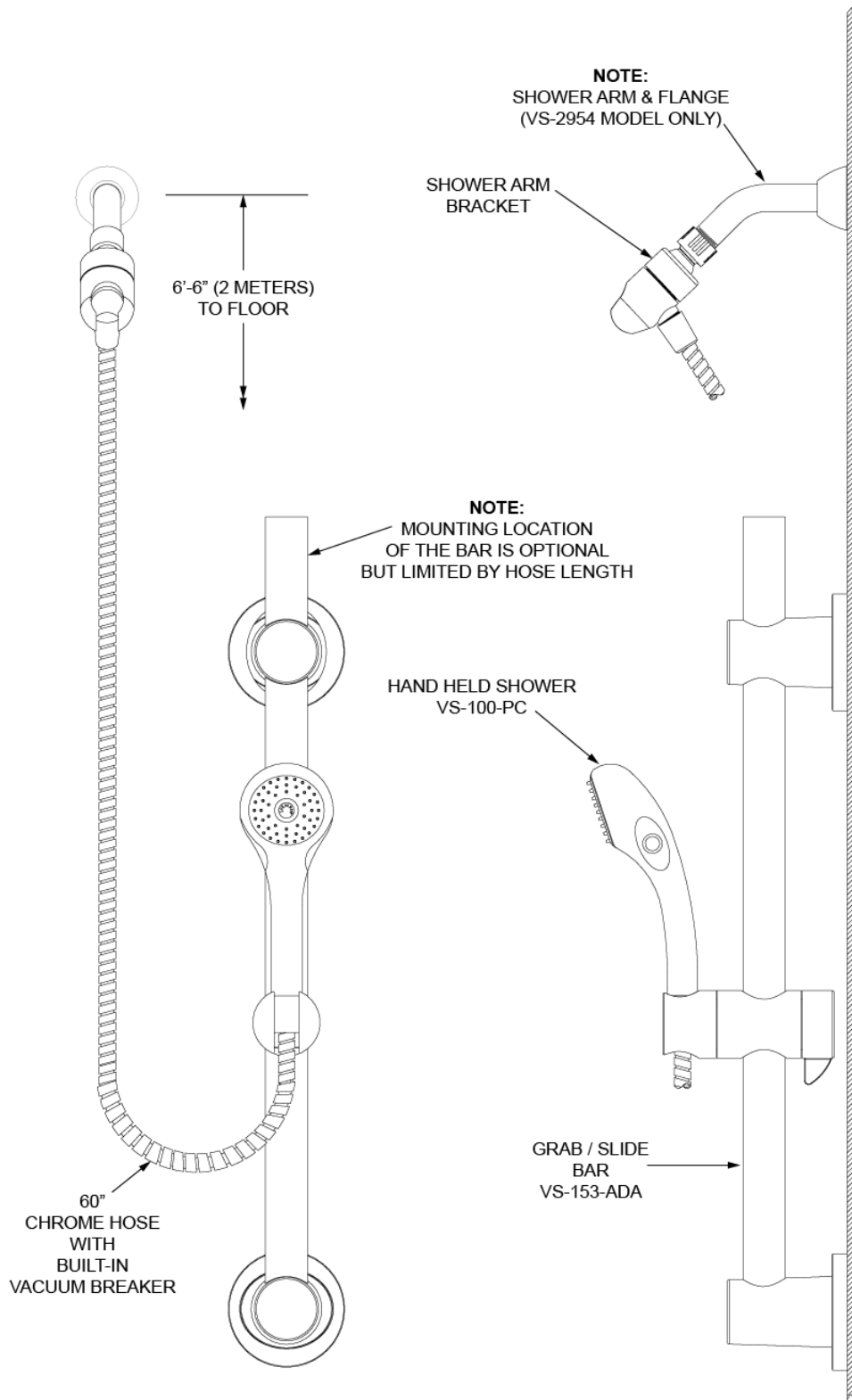
## **SPEAKMAN®**

400 Anchor Mill Rd. New Castle, DE 19720 Phone: 800-537-2107 Fax: 800-977-2747

9/08/17

www.speakman.com

92-2681-02



**NOTE:**

- 1.) ALL DIMENSIONS ARE IN INCHES (MILLIMETERS) UNLESS OTHERWISE SPECIFIED AND ARE SUBJECT TO CHANGE WITHOUT NOTICE
- 2.) UNLESS OTHERWISE SPECIFIED, ALL INLETS AND OUTLETS ARE 1/2" NPT FEMALE.
- 3.) THE LOCATION OF THE GRAB/SLIDE BAR IS OPTIONAL, BUT LIMITED BY THE 60" HOSE LENGTH RUNNING FROM THE SHOWER ARM BRACKET LOCATION TO THE HAND HELD SHOWER

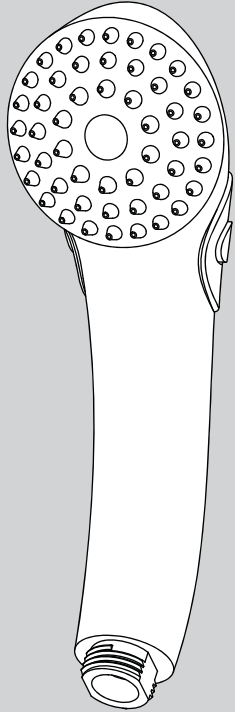
92-2681-02  
09/17

**SPEAKMAN®**



## INSTRUCTIONS FOR MODELS


VS-100-PC  
VS-100-PC-E2  
VS-100-PC-E175



### NEED HELP?

For additional assistance or service please contact:

**SPEAKMAN**® Company  
400 Anchor Mill Road  
New Castle, DE 19720

 800-537-2107

 customerservice@speakman.com

 www.speakman.com

92-VS-100-PC-04

## TOOLS AND SUPPLIES

Thread Seal  
Tape  
(included)



### IMPORTANT



Be sure to read instructions thoroughly before beginning installation. Do not overtighten any connections or damage may occur. This hand shower has an optimal operating range of 20-80 psi.

### SAFETY TIPS



Cover your drain to prevent loss of parts.

### MAINTENANCE



Periodic cleaning using a mild soap and warm water will help keep your Hand Shower's appearance in its original condition.

For best results, dry immediately with a soft, clean cloth. **DO NOT USE** harsh and/or abrasive cleaners.

On CHROME PLATED HAND SHOWERS, a two (2) part white vinegar, one (1) part water solution can be used to break down excessive mineral deposits on the sprays. Let the hand shower soak in the solution for about ½ hour then rinse thoroughly. Brush off any remaining mineral deposits if necessary.

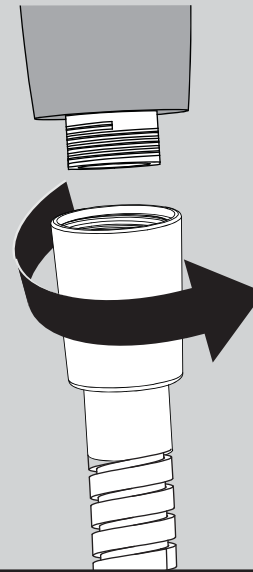
**DO NOT USE** the vinegar/water treatment on any finish other than Chrome.

### WARRANTY

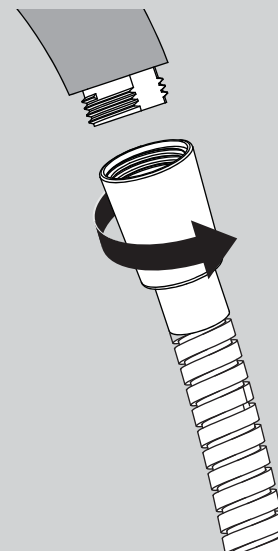


Additional warranty information can be found at:  
[www.speakman.com](http://www.speakman.com)

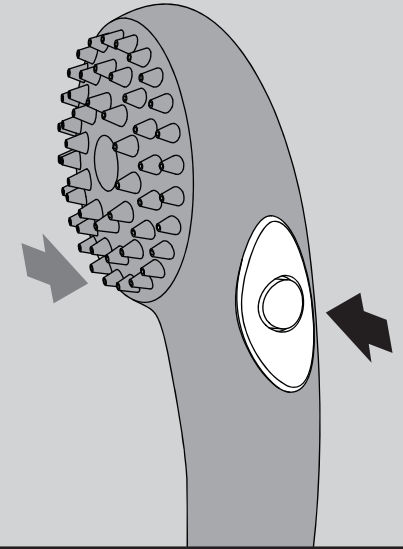
- 1** Connect the correct side of your hose (not included) to the water supply. Hand tighten.



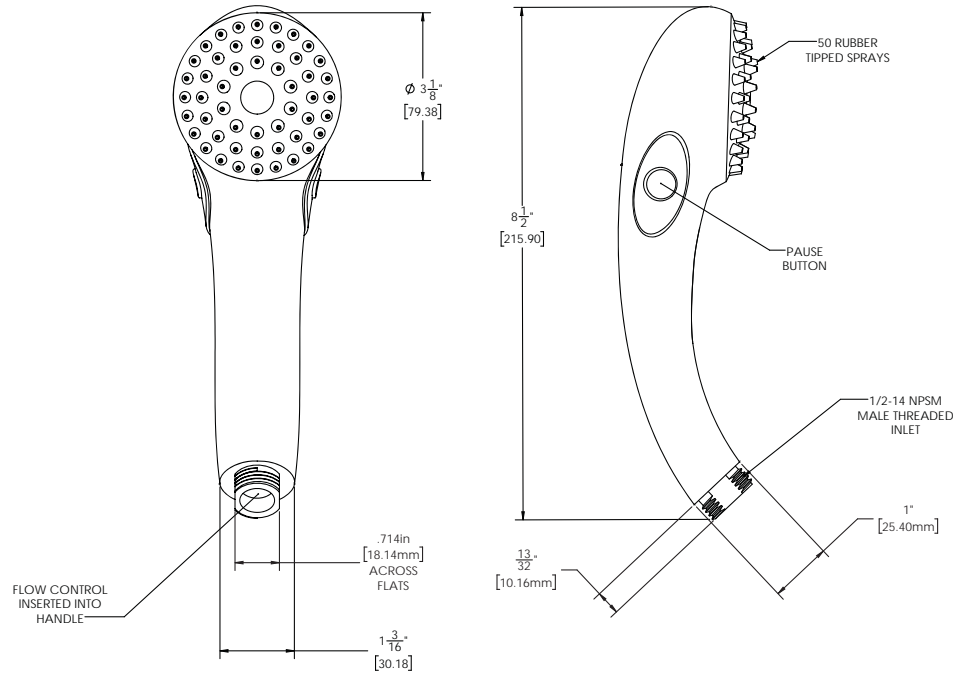
- 2** Connect remaining end of Hose to inlet of Hand Shower. Hand tighten. If there are leaks at the hose connections, look into using thicker washers to ensure a tight seal.



- 3** To pause the flow of water, press the integral thumb operated pause/trickle button located on the side of the hand shower. To return the hand held shower to full flow, press the shuttle button from the opposite side.



## ROUGH IN DIMENSIONS



### VS-100-PC

Max. Flow Rate: 2.5 gpm (9.5L/min)

Min. Flow Rate: 2.0 gpm (7.6 L/min) @ 45psi

FOR USE WITH AUTOMATIC COMPENSATING VALVES  
RATED AT 7.6 L/MIN (2.0 GPM) OR LESS.

### VS-100-PC-E2

Max. Flow Rate: 2.0 gpm (7.6 L/min)

Min. Flow Rate: 1.5 gpm (5.7 L/min) @ 45psi

FOR USE WITH AUTOMATIC COMPENSATING VALVES  
RATED AT 6.6 L/MIN (1.75 GPM) OR LESS.

### VS-100-PC-E175

Max. Flow Rate: 1.75 gpm (6.6 L/min)

Min. Flow Rate: 1.3 gpm (4.9 L/min) @ 45psi

FOR USE WITH AUTOMATIC COMPENSATING VALVES  
RATED AT 5.7 L/MIN (1.5 GPM) OR LESS.

INSTRUCTIONS FOR MODELS

**VS-153-ADA -30 -36**  
**VS-153-30-RT**



NEED HELP?

For additional assistance or service please contact:

**SPEAKMAN**® Company  
 400 Anchor Mill Road  
 New Castle, DE 19720

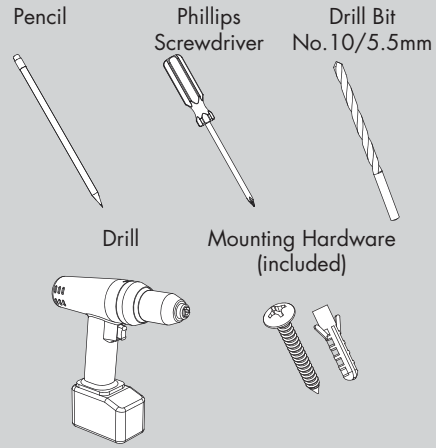
800-537-2107

customerservice@speakman.com

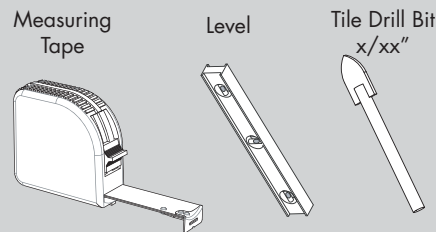
www.speakman.com

92-VS-153-ADA-02

TOOLS AND SUPPLIES



HELPFUL TOOLS & SUPPLIES:



IMPORTANT

- Meets the ANSI standard 250 lbs. pull-test for grab bars and ADA lever handle for adjusting slide bar.
- The VS-153-ADA Slide Bar meets ADA pull force requirements only. It is not intended to replace an ADA Grab Bar.
- Do not over-tighten any connections or damage may occur.
- Be sure to read instructions thoroughly before beginning installation.

SAFETY TIPS

- Cover your drain to prevent loss of parts. Be sure to follow all tool manufacturers safety guidelines.
- Use caution when drilling into walls to avoid electrical and plumbing lines hidden within the wall.

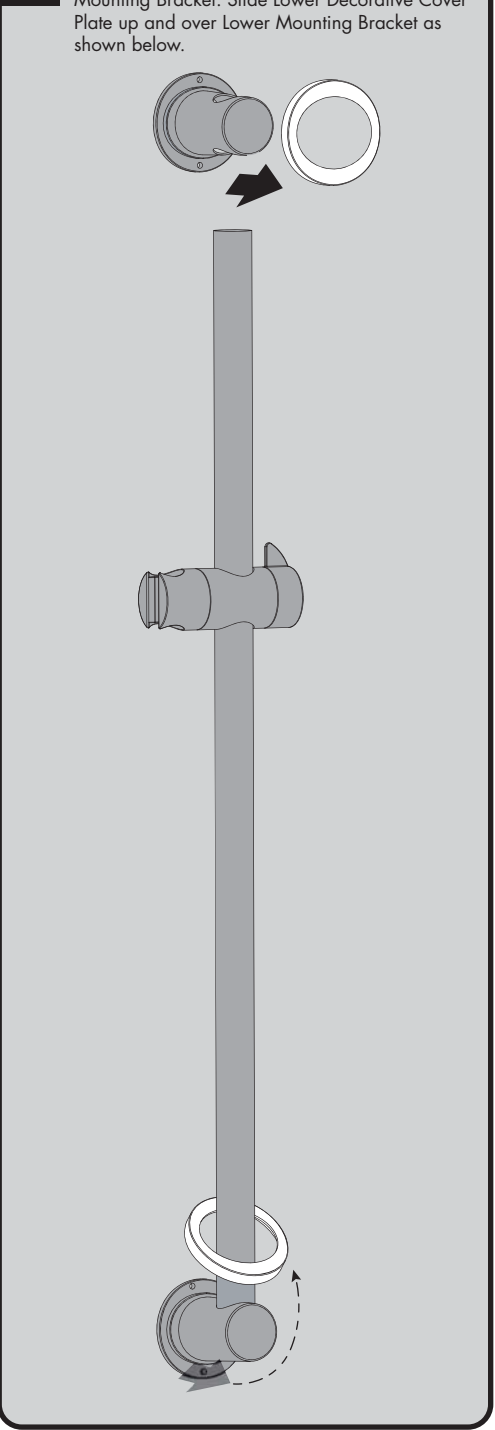
MAINTENANCE

Your new Speakman Product is designed for years of trouble-free performance. Keep it looking new by cleaning it periodically with a soft cloth. The use of harsh chemicals and abrasives on any of the Speakman custom finish products may damage the finish and void the product warranty. Please be sure to only use approved cleaners. Please contact Speakman for any clarification of acceptable cleaners.

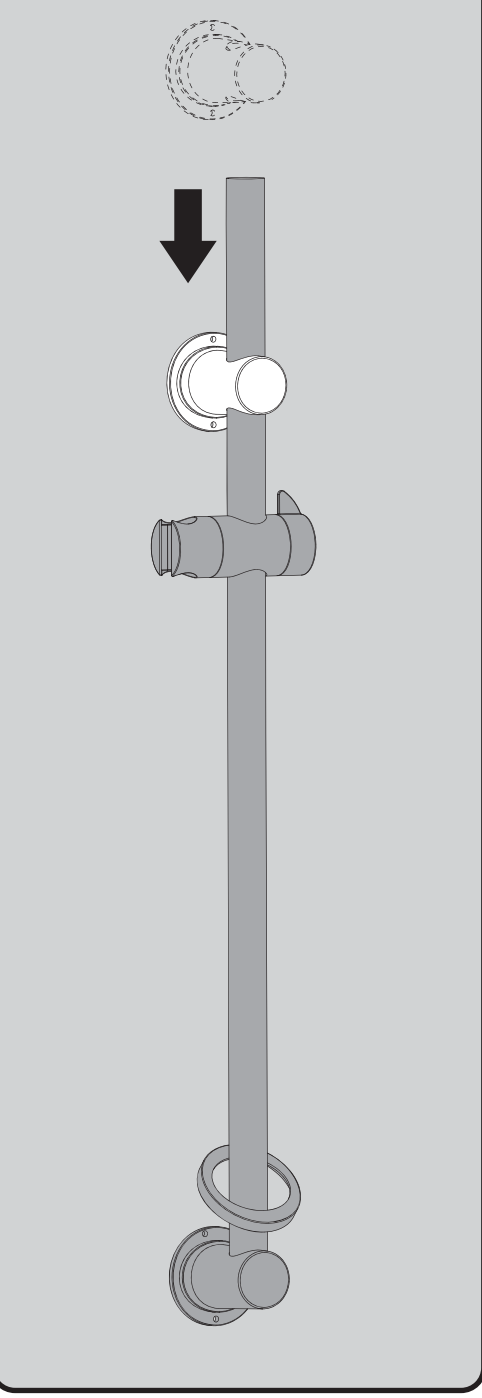
WARRANTY

Additional warranty information can be found at: [www.speakman.com](http://www.speakman.com)

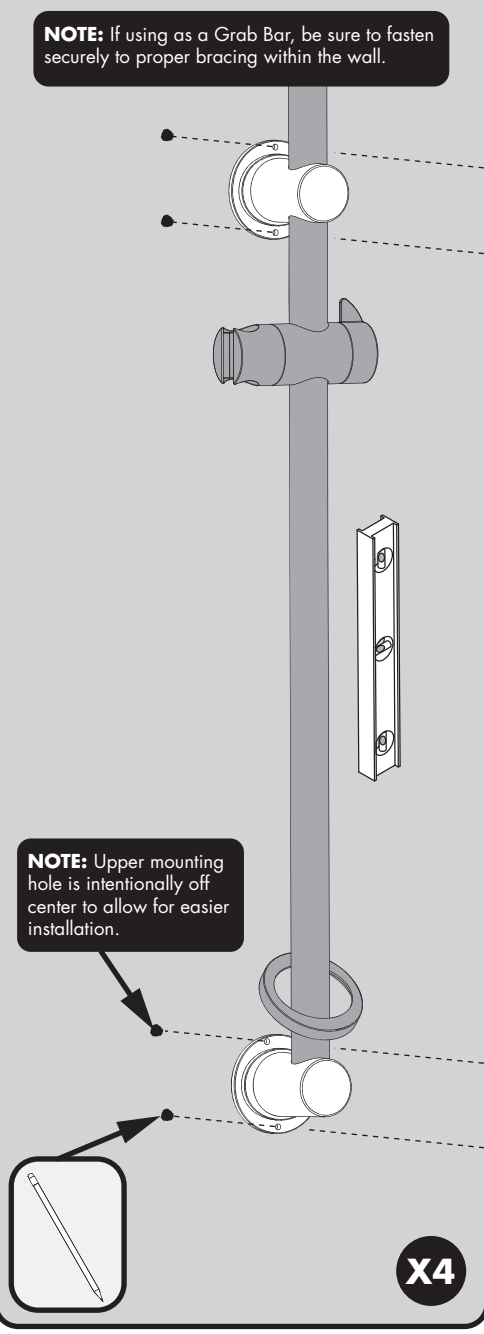
1 Remove Decorative Cover Plate from Upper Mounting Bracket. Slide Lower Decorative Cover Plate up and over Lower Mounting Bracket as shown below.



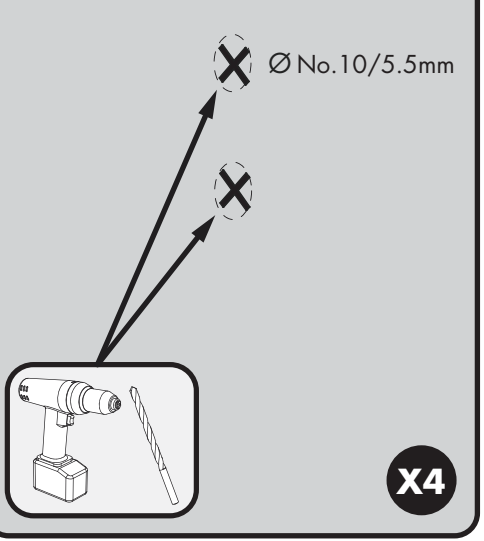
**2** Position the Upper Mounting Bracket over the Slide Bar. Ensure the mounting location is within the usable range of the hand shower hose.



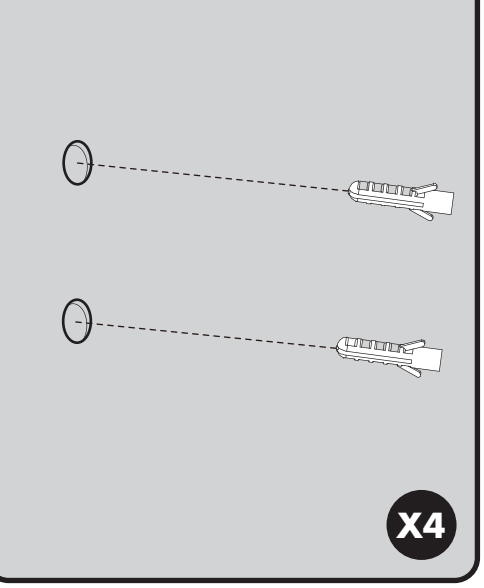
**3** Hold the Slide Bar against the wall in the chosen location. Adjust the Upper Mounting Bracket height location. Using a pencil, mark the Drill Hole positions (x4) for the Upper and Lower Mounting Brackets. Ensure the Slide Bar is level vertically.



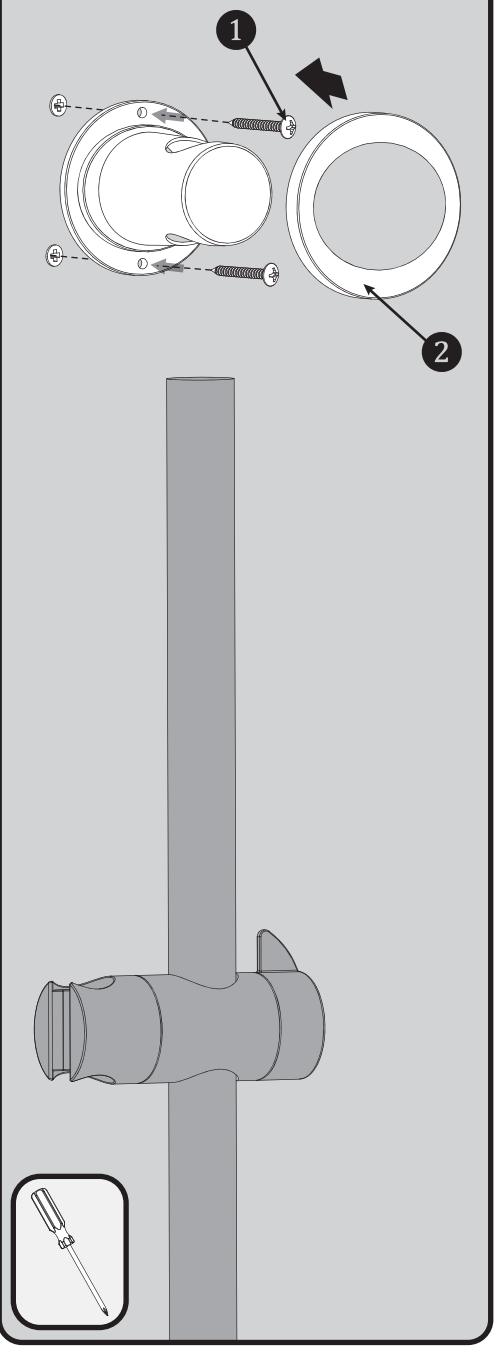
**4** If mounting directly to wood stud or a wood stud behind drywall, proceed to Step 6. If mounting to tile or masonry wall, Drill holes (x4) in the marked locations using a No. 10 (0.1935 inches/5.5 mm) masonry drill bit to make a hole approximately 1 3/8 inches (35 mm) deep.



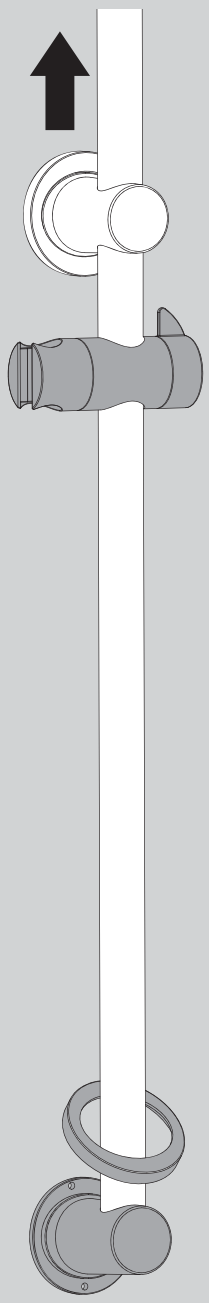
**5** Push the Plastic Anchors (x4) into the drilled holes. Ensure the plastic anchors are flush with the wall. (Note: Plastic Anchors provided may not be suitable for all types of wall construction, seek professional help if in doubt).



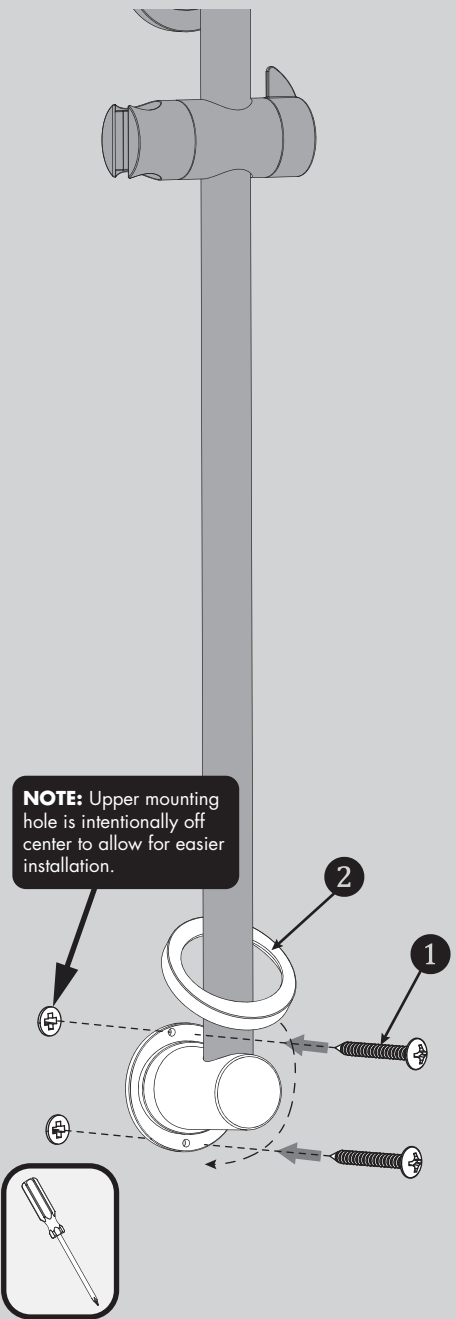
**6** Remove Upper Mounting Bracket from Slide Bar. Secure Upper Mounting Bracket in place using the Mounting Screws provided (1) with a Phillips Screwdriver. Reinstall the Decorative Cover Plate (2) to the Upper Mounting Bracket.



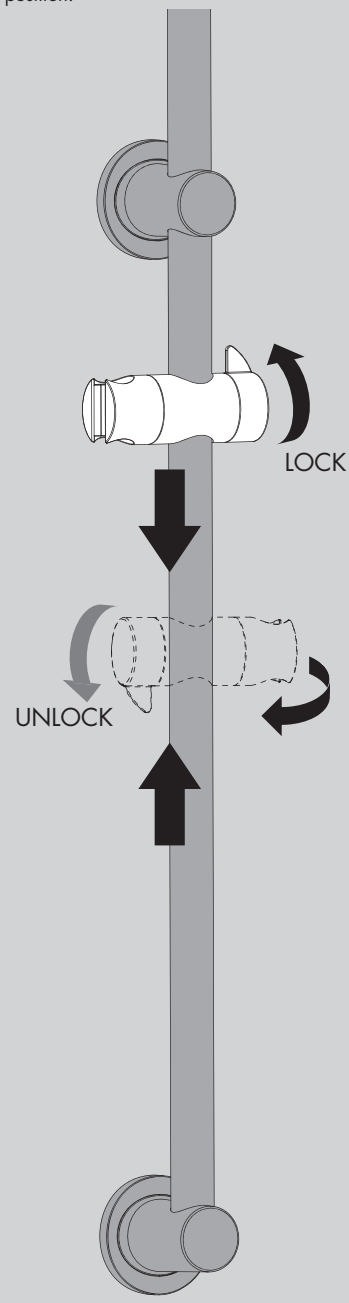
**7** Position the Slide Bar flush against the mounting surface and push the Slide Bar through the hole in the Upper Mounting Bracket.



**8** Secure the Lower Mounting Bracket (1) in place to the wall using the Mounting Screws provided with a Phillips Screwdriver. Reinstall the Lower Decorative Cover Plate (2) to the Lower Mounting Bracket.



**9** Orient the Hand Held Shower Bracket to your desired position. Adjustments are made by rotating the Locking Handle 1/4 turn counter-clockwise to release the position, and 1/4 turn clockwise to lock into the desired position.



**VS-153-ADA ROUGH-IN DIAGRAM**

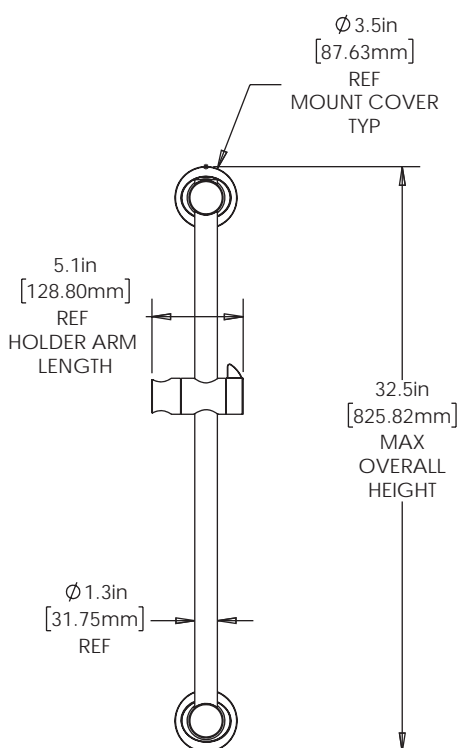
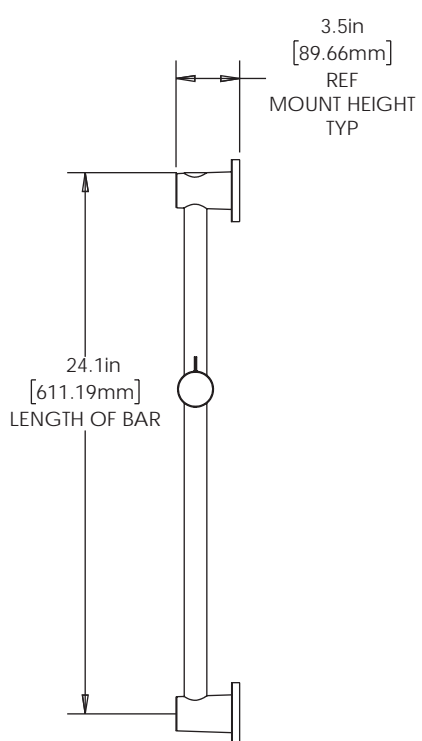
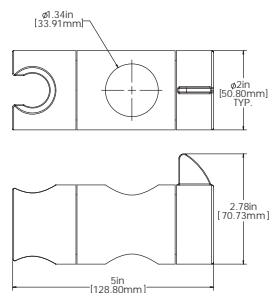


**NOTES:**

**COMPLIANCE:**

**ADA COMPLIANT**

- Meets the ANSI standard 250 lbs. pull-test for grab bars and ADA lever handle for adjusting slide bar.
- The VS-153-ADA Slide Bar meets ADA pull force requirements only. It is not intended to replace an ADA Grab Bar.



DIMENSIONS SUBJECT TO CHANGE WITHOUT NOTICE.

**VS-153-ADA-30 / VS-153-30-RT ROUGH-IN DIAGRAM**

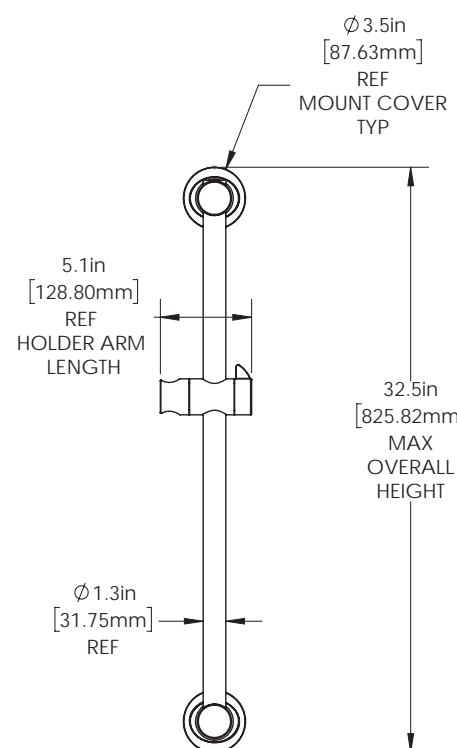
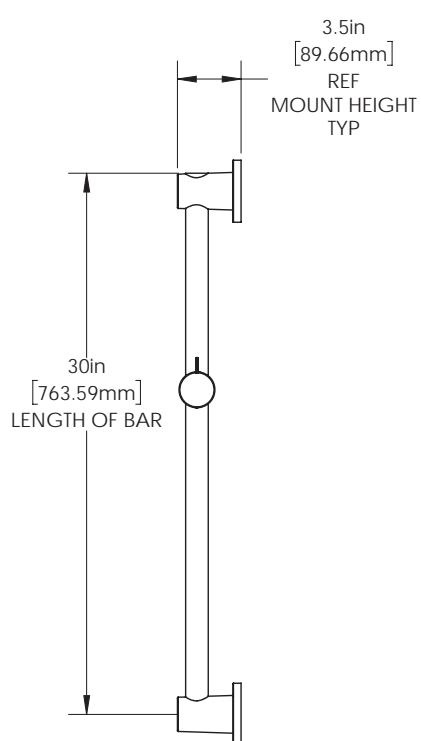
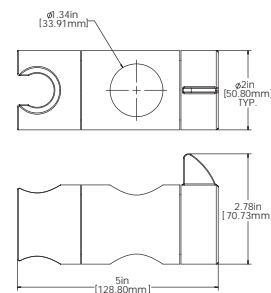


**NOTES:**

**COMPLIANCE:**

**ADA COMPLIANT**

- Meets the ANSI standard 250 lbs. pull-test for grab bars and ADA lever handle for adjusting slide bar.
- The VS-153-ADA Slide Bar meets ADA pull force requirements only. It is not intended to replace an ADA Grab Bar.



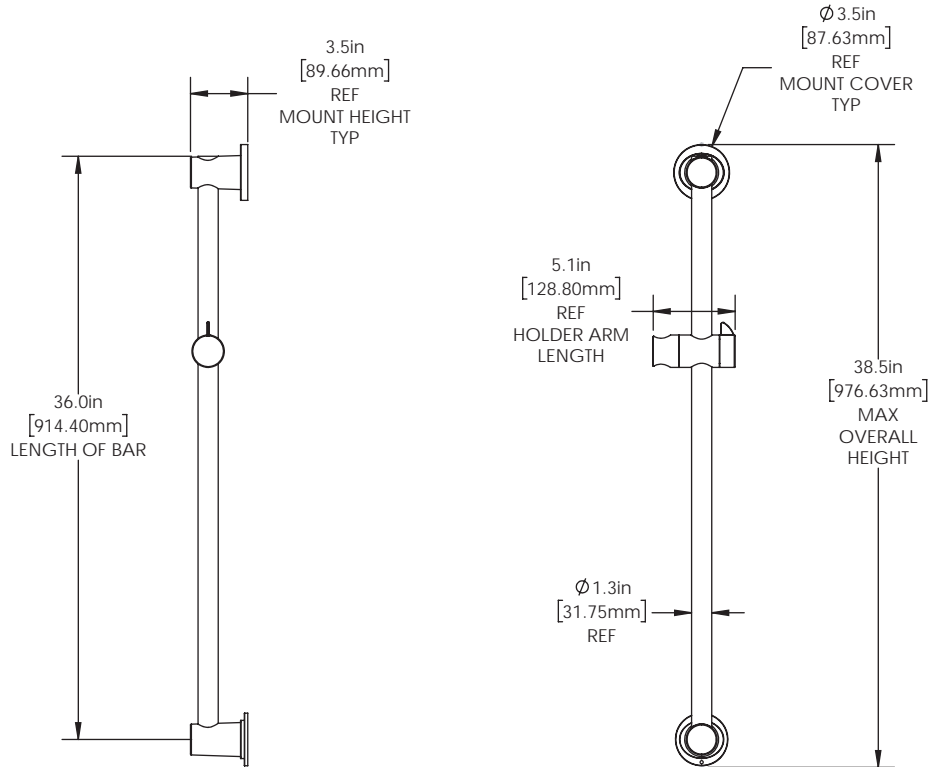
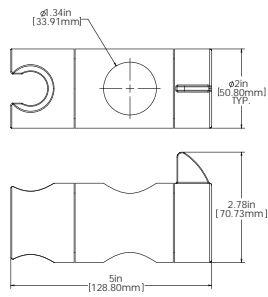
DIMENSIONS SUBJECT TO CHANGE WITHOUT NOTICE.

**NOTES:**

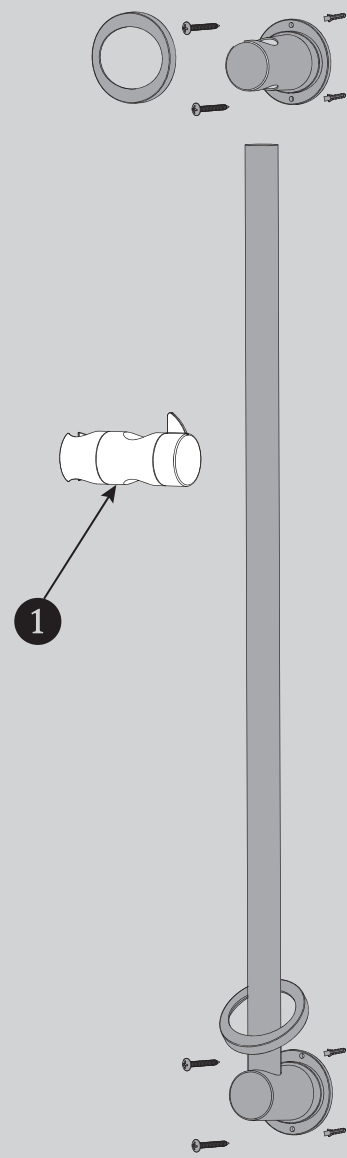
**COMPLIANCE:**

**ADA COMPLIANT**

- Meets the ANSI standard 250 lbs. pull-test for grab bars and ADA lever handle for adjusting slide bar.
- The VS-153-ADA Slide Bar meets ADA pull force requirements only. It is not intended to replace an ADA Grab Bar.



DIMENSIONS SUBJECT TO CHANGE WITHOUT NOTICE.



ITEM NO.	PART NO.	DESCRIPTION
1	RPG56-0038-XX *XX = FINISH	VS-153-ADA HOLDER REPAIR PART GROUP