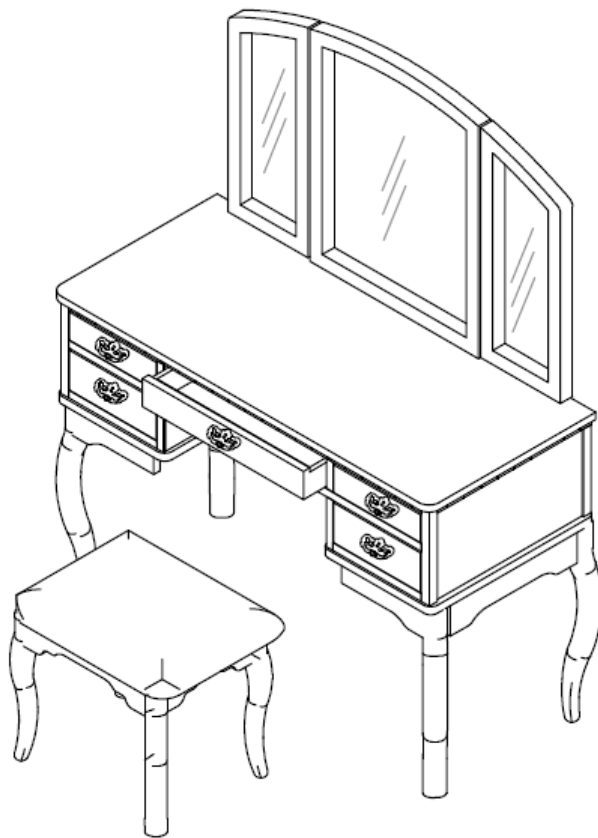


Assembly Instructions

CM-DK6405



ASSEMBLY RATING

The Assembly Rating is a 5-point system that shows the degree of effort needed in assembling a specific product (with 1 being easy and 5 being difficult). For some products, two persons are recommended.

EASY



DIFFICULT

Tools Required for Assembly:

Allen Wrench



(Included)

Phillips Screwdriver



(Not Included)

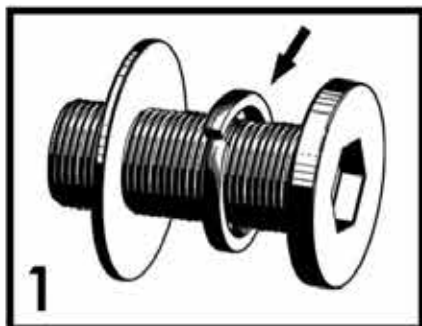


2 PERSONS RECOMMENDED

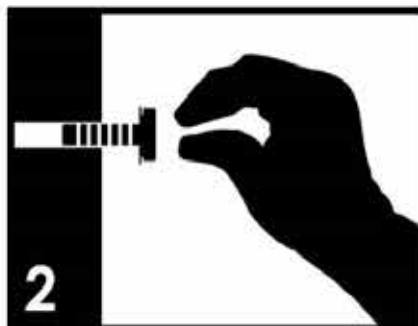
ASSEMBLY & CARE ADVICE

FOR YOUR FURNITURE TO LAST, CORRECT ASSEMBLY AND PROPER MAINTENANCE ARE NECESSARY. PLEASE FOLLOW THE INFORMATION PROVIDED BELOW TO FULLY ENJOY YOUR FURNITURE.

BASIC ASSEMBLY TECHNIQUES



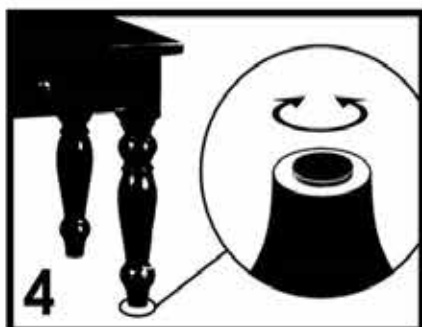
1 When lock or spring washer is used in an assembly, please make sure the lock or spring washer is placed between the larger flat washer and the head of the screw or bolt.



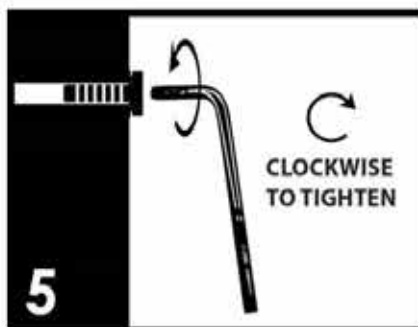
2 Position each part correctly and insert screws or bolts into their respective holes by hand tighten or using the proper hand tool. Only tighten when step is completed or when instructed to do so.



3 Use cardboard or carpet area when assembling furniture to prevent scratches. Make sure the furniture rests on a flat and level surface with each leg evenly touching the floor.



4 Some furniture comes with height adjustment knobs underneath each leg. To lower or to raise each leg, you need to turn clockwise or counterclockwise, respectively.



5 Make sure all parts are properly aligned, then use the appropriate hand tool to completely tighten the bolts or screws. Do not use power tools and do not overtighten.



6 Save the instructions and store the Allen wrench or any supplied tool for later maintenance. After two weeks, check and tighten any loose hardware and repeat again every six months thereafter.

IT IS THE USER'S RESPONSIBILITY TO MAINTAIN THE FURNITURE. THE HARDWARE MAY LOOSEN OVER TIME AND MAY CAUSE THE FURNITURE TO BE WOBBLY AND UNABLE TO SUPPORT ITS INTENDED WEIGHT CAPACITY. THIS MAY LEAD TO COLLAPSE AND MAY CAUSE SERIOUS INJURY.



FAILURE TO FOLLOW THE GUIDELINES ABOVE MAY RESULT IN INJURY AND/OR PROPERTY DAMAGE.




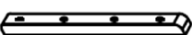




Before you begin, please read Page 2 of "Assembly and Care Advice".






And remember, do not tighten until each step is completed or instructed.

MD

Parts List

-  #1 x 1 pc
Vanity Table
-  #2 x 4 pcs
Table Leg
-  #3 x 1 pc
Mirror
-  #4 x 2 pcs
Mirror Support Rail
-  #5 x 1 pc
Chair Seat
-  #6 x 4 pcs
Chair Leg

Hardware List

-  #A x 16 pcs
Bolt 5/16"x2"
-  #B x 16 pcs
Lock Washer
-  #C x 16 pcs
Flat Washer
-  #D x 8 pcs
Screw
-  #E x 1 pc
Allen Wrench



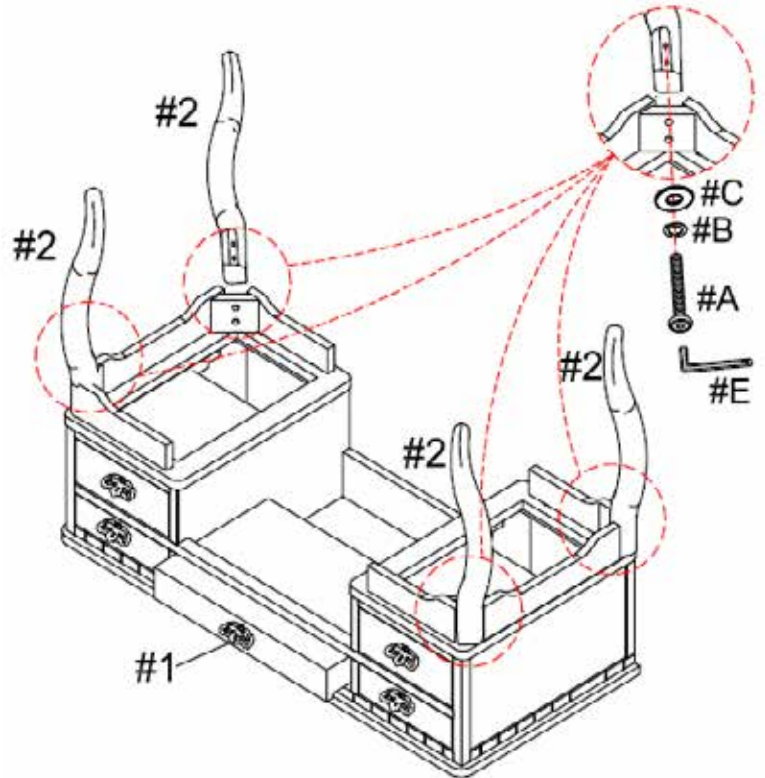
Due to the size and/or weight of this product, it is highly recommended that the assembly should be done near the area of its intended location. Make sure you have enough space to move around during the assembly. ALWAYS have at least two people to help with transporting and assembling the product to avoid any potential injury and/or damage.



#A x 8 pcs
#B x 8 pcs
#C x 8 pcs

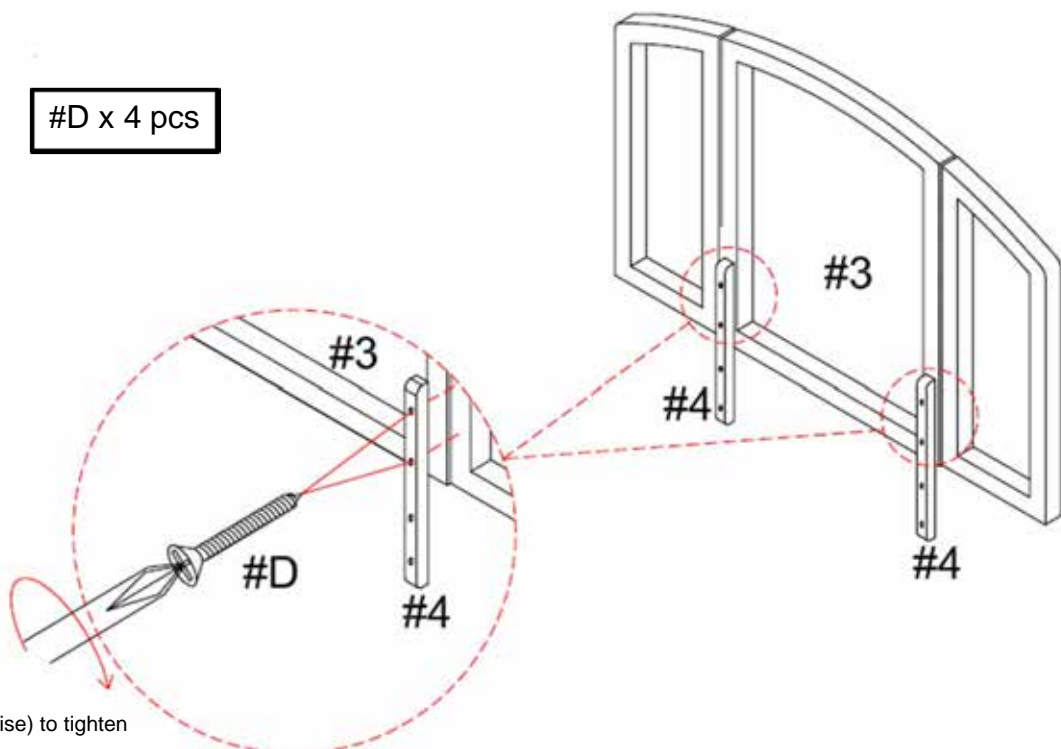
- I. With the help of another person, carefully place the vanity table (#1) facing down on a protected surface.
- II. Align the 4 table legs (#2) with the pre-drilled holes on the corners of the vanity table (#1).
- III. Prepare 8 bolt assemblies by inserting FIRST the lock washer (#B) onto the bolt (#A) and then the flat washer (#C) onto the SAME bolt (#A), in that order.
- IV. Insert the bolt assemblies through the pre-drilled holes on the corners of the vanity table (#1) and secure those bolts using the Allen wrench (#E) to lock them with the table legs (#2).

Turn right (clockwise) to tighten



- I. Align the 2 mirror support rails (#4) with the pre-drilled holes on the back of the mirror (#3).
- II. Secure 4 screws (#D) into the 2 mirror support rails (#4) using a Phillips screwdriver to tighten them to the mirror (#3).

#D x 4 pcs

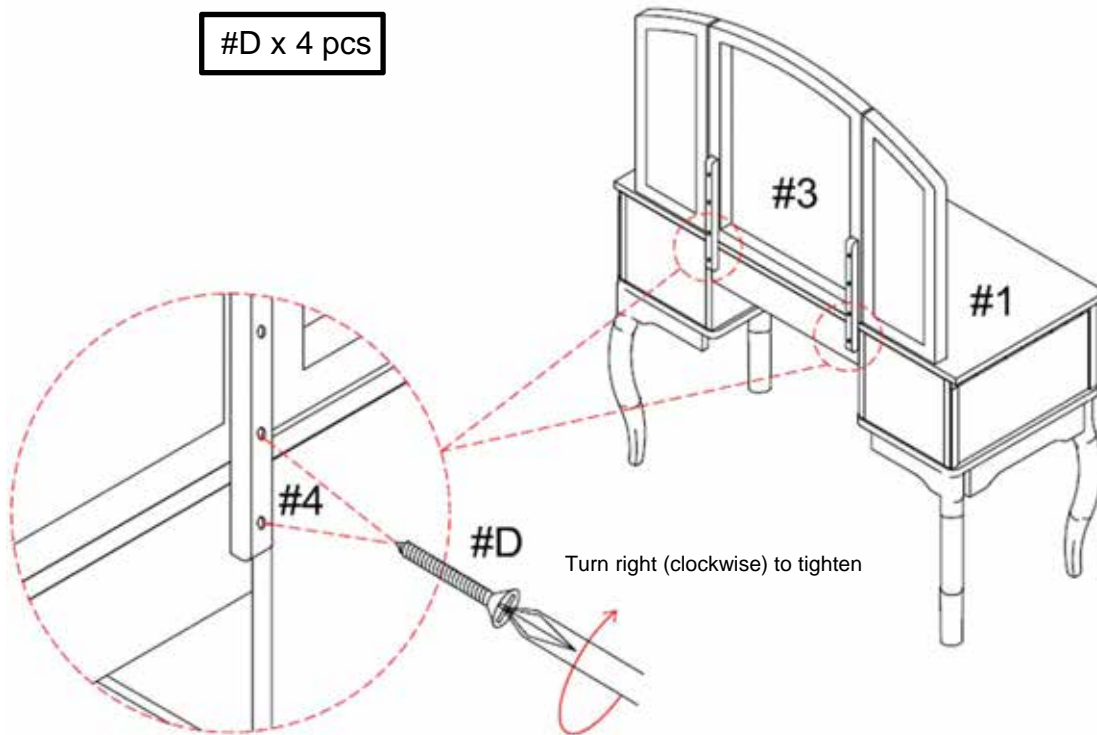


Turn right (clockwise) to tighten

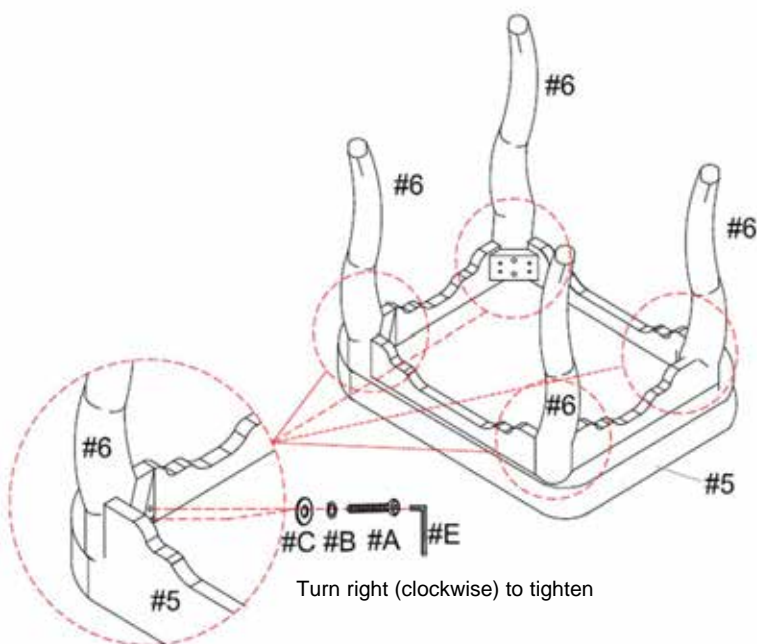


- I. Carefully align the 2 mirror support rails (#4) assembled onto the mirror (#3) with the pre-drilled holes on the back of the vanity table (#1).
- II. Secure 4 screws (#D) into the 2 mirror support rails (#4) using a Phillips screwdriver to tighten them to the vanity table (#1).

#D x 4 pcs



#A x 8 pcs
#B x 8 pcs
#C x 8 pcs



- I. Carefully place the chair seat (#5) facing down on a protected surface.
- II. Align the 4 chair legs (#6) with the pre-drilled holes on the corners of the chair seat (#5).
- III. Prepare 8 bolt assemblies by inserting FIRST the lock washer (#B) onto the bolt (#A) and then the flat washer (#C) onto the SAME bolt (#A), in that order.
- IV. Insert the bolt assemblies through the pre-drilled holes on the corners of the seat (#5) and secure those bolts using the Allen wrench (#E) to lock them with the chair legs (#6).
- V. Make sure the vanity table and the chair are rested on a flat surface and do not feel loose or wobbly. If they do, double check that the bolts/screws are secured and properly tightened.

ASSEMBLY IS COMPLETED