


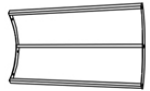



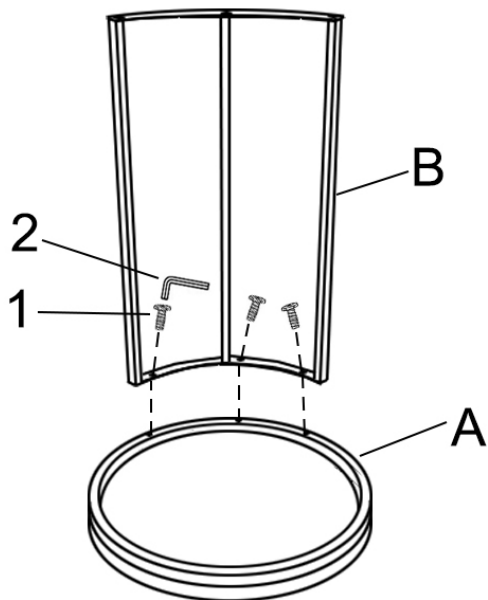
ASSEMBLY INSTRUCTIONS

Parts required

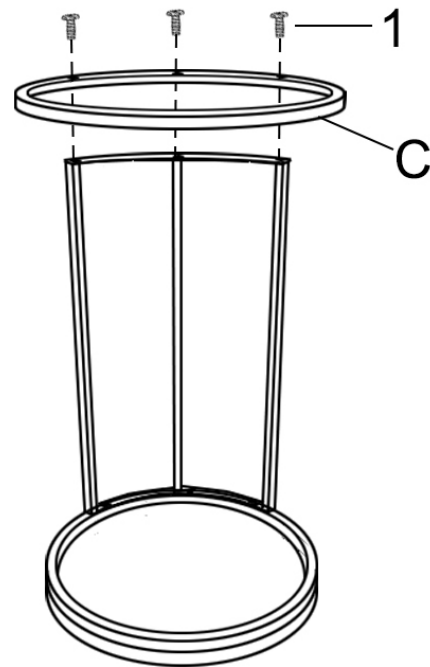
1		Bolt	$\Phi 6*16\text{MML}$	6 pcs
2		Allen wrench		1pc

A		1pc
B		1pc
C		1pc

1.



2.



3.

