












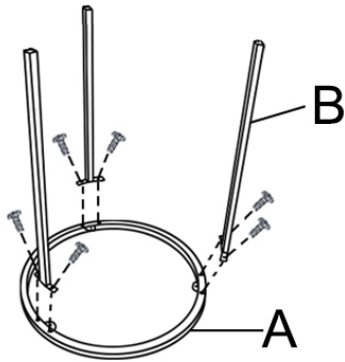
ASSEMBLY INSTRUCTIONS

Parts required

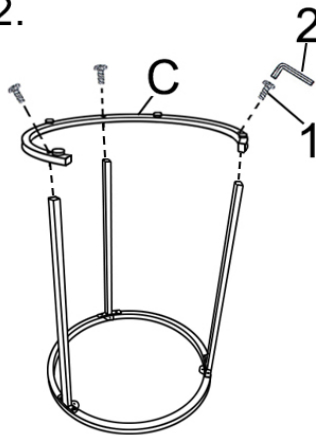
1		Bolt	Φ6*16MM	18pcs
2		Allen wrench		1pc
A				1pc
B				3pcs
C				1pc
D				1pc

E		6pcs
F		1pc
G		3pcs
H		1pc
I		1pc

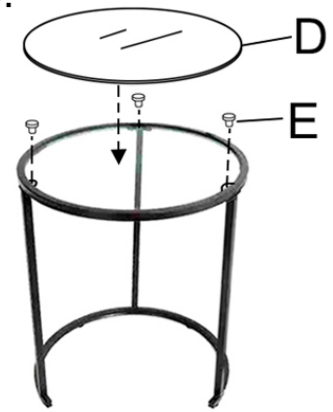
1-1.



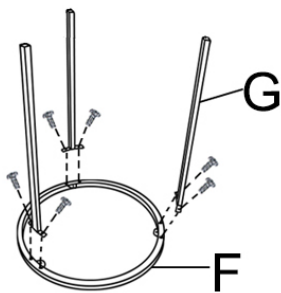
1-2.



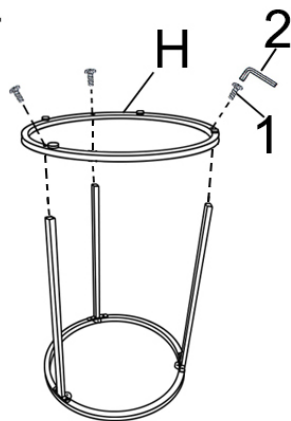
1-3.



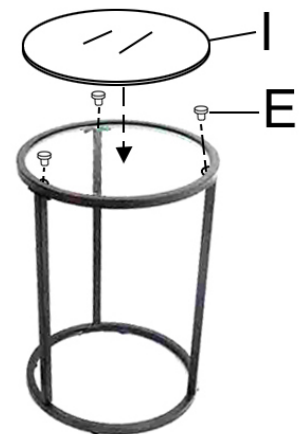
2-1.



2-2.



2-3.



3.

