






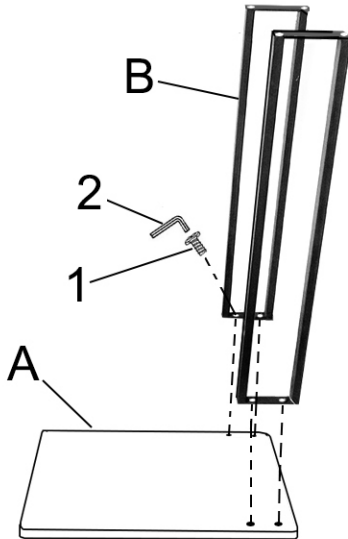
ASSEMBLY INSTRUCTIONS

Parts required

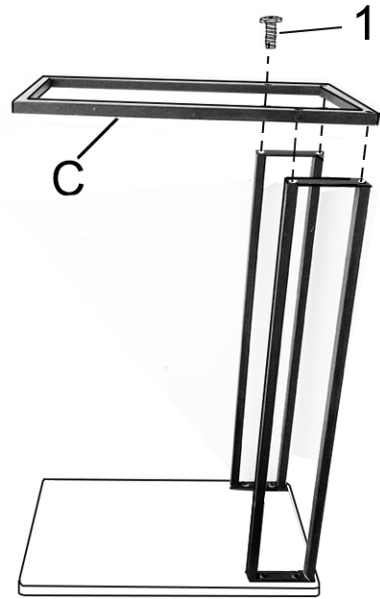
1		Bolt	$\Phi 6*16\text{MML}$	8pcs
2		Allen wrench		1pc

A		1pc
B		2pcs
C		1pc

1.



2.



3.

