
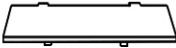
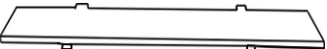
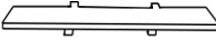


# ASSEMBLY INSTRUCTIONS

Parts required

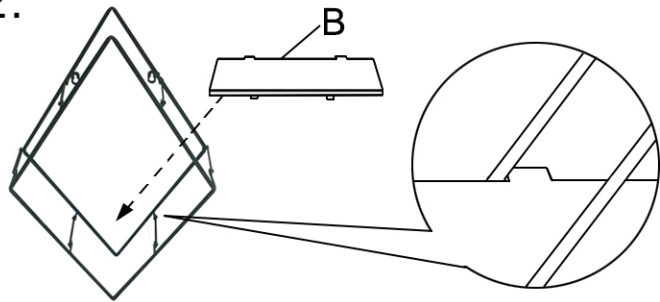
A		1pc
---	---	-----

B		1pc
C		1pc
D		1pc

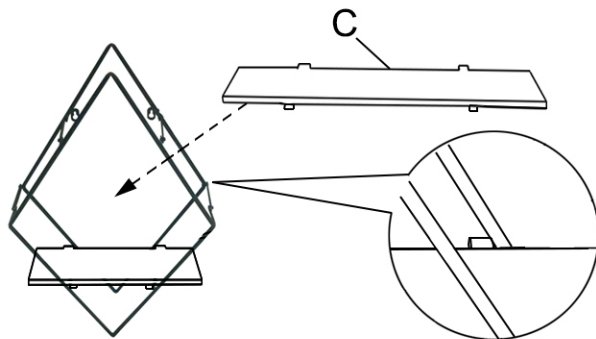
1.



2.



3.



4.

