
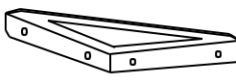


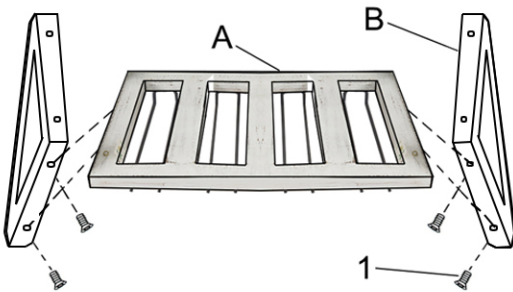
ASSEMBLY INSTRUCTIONS

Parts required

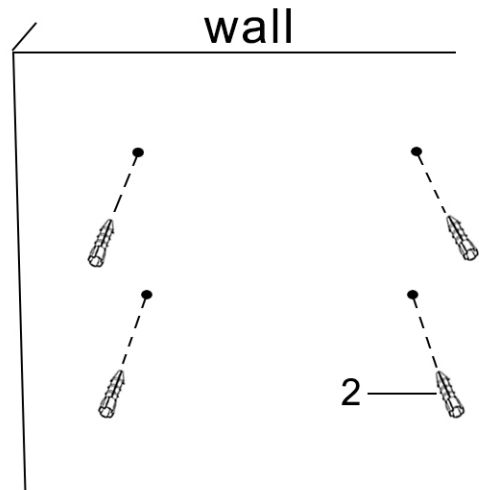
1		Φ4*10MM	4pcs
2		8*8*28MM	4pcs
3		Φ4*35MM	4pcs

A		1pc
B		2pcs

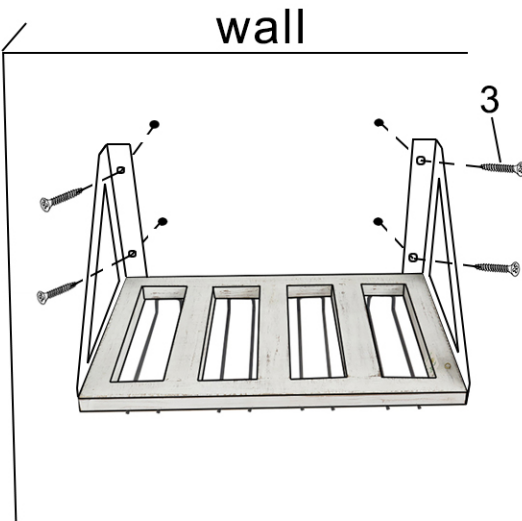
1.



2.



3.



4.

