








ASSEMBLY INSTRUCTIONS

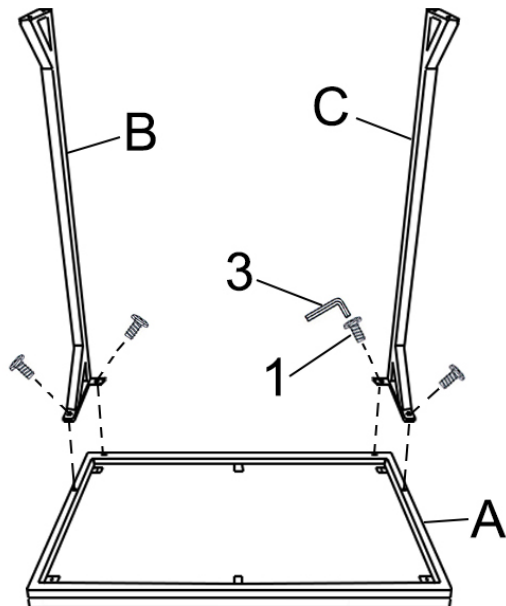
Parts required

1		Bolt	Φ6*10MML	4pcs
2		Bolt	Φ6*16MML	4pcs
3		Allen wrench		1pc

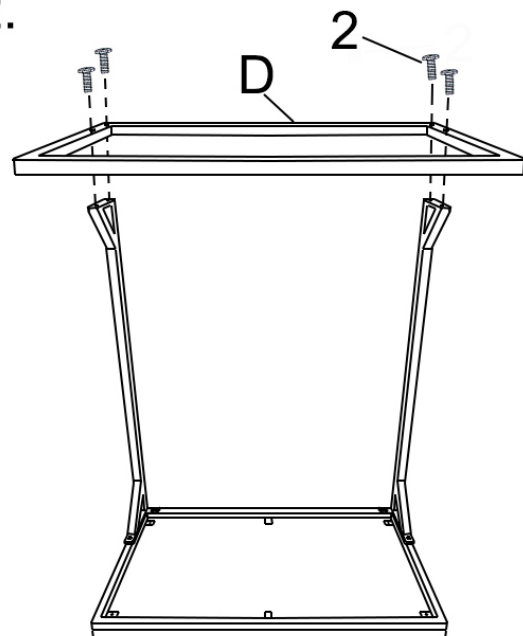
A		1pc
---	---	-----

B		1pc
C		1pc
D		1pc

1.



2.



3.

