

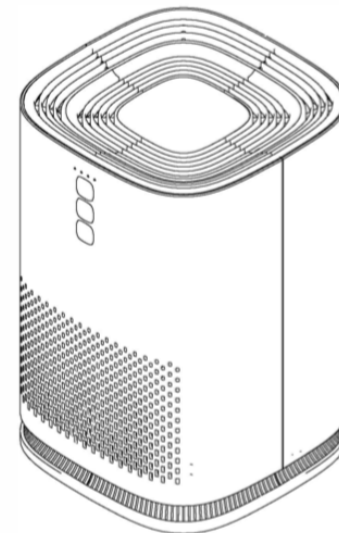
Technical Data:

- Voltage: 120 V AC 60Hz
- Power Rating: 26 W
- Noise level: 55 dB(A)
- Room size: up to 200 sq. ft.
- Unit dimension: 12.20"H x 8.26"W x 8.26"D
- Unit weight: 5.3 lbs.

Medify Air
579 Route 22 West
North Plainfield, NJ 07060
(302) 659-8104
info@medifyair.com
www.medifyair.com

Medify Air

Model: MA-14



READ AND FOLLOW THESE INSTRUCTIONS.

Use unit according to instructions provided in the manual.
Keep manual for future reference.

CONTENTS



| | |
|-------------------------------------|----|
| 1. Safety Precautions..... | 3 |
| 2. Product Information..... | 4 |
| 3. Before Use..... | 6 |
| Placement of Air Purifier..... | 6 |
| Install Filter Set..... | 6 |
| 4. Filter Purification..... | 8 |
| 5. How to Use..... | 9 |
| Power ON/OFF..... | 9 |
| Control Fan Speed..... | 9 |
| Sleep Mode..... | 9 |
| Standby Mode..... | 9 |
| Turn Off Filter Replacement | 9 |
| 6. Maintenance and Cleaning..... | 10 |
| Clean the Air Purifier..... | 10 |
| Change Filter..... | 10 |
| Filter Replacement Suggestions..... | 10 |
| 7. Warranty..... | 11 |
| Warranty and Service..... | 11 |
| Order Filters..... | 11 |

User Manual

1. Safety Precautions

To avoid damage, pay attention and follow these safety precautions.

If the power chord or unit is broken, or if the unit is out of order, contract customer support immediately.



WARNING

READ AND SAVE THESE INSTRUCTIONS.

1. WARNING - UNPLUG OR DISCONNECT AIR PURIFIER FROM THE POWER SUPPLY BEFORE). IF THE PLUG DOES NOT SERVICING
2. WARNING - THIS APPLIANCE HAS A POLARIZED PLUG (ONE BLADE IS WIDER THAN OTHER FIT FULLY IN THE OUTLET REVERSE THE PLUG. IF IT STILL DOES NOT FIT, CONTACT A QUALIFIED ELECTRICIAN. DO NOT ATTEMPT TO DEFECT THIS SAFETY FEATURE.



Do not touch power plug with wet hands.



Turn off the power before cleaning machine.



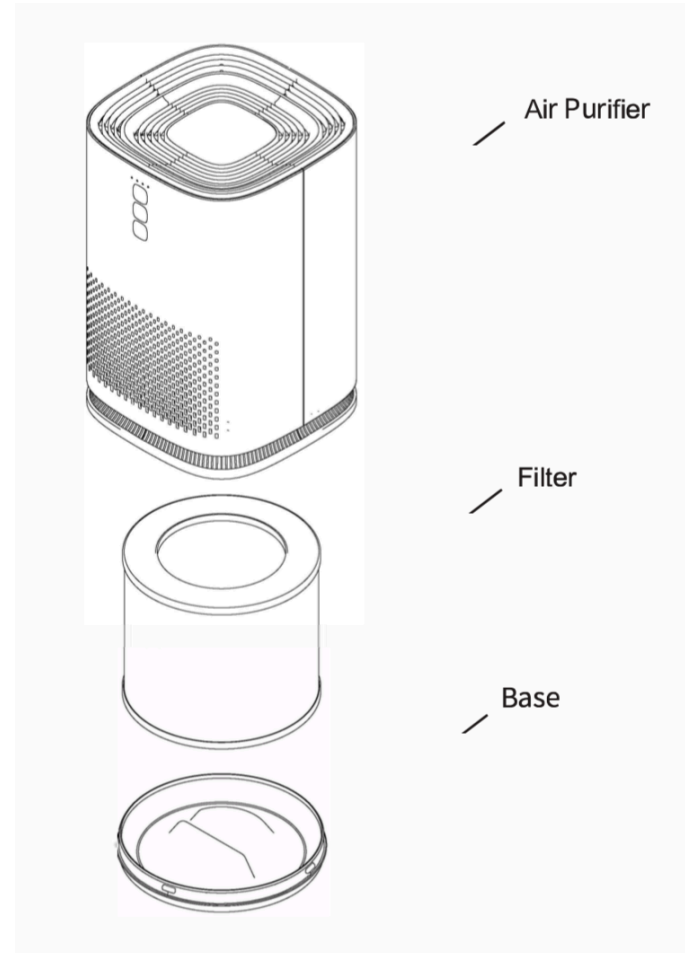
This is a 110v unit. Only use this with a 100v power supply for use in North America. Do NOT use with a 220v power supply or you will destroy the unit and render the warranty void.



Do not take apart or modify unit without authorization.

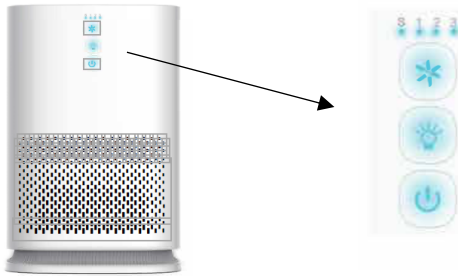
User Manual

2. Product Information



User Manual

Control Panel



Fan speed buttons: Levels 1, 2, 3, Sleep



ON/OFF light button & Filter Change Indicator.
This button will flash when filter needs to be changed.

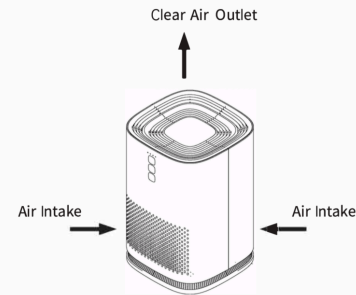


Power ON/OFF

User Manual

3. Before Use

Placement of Air Purifier



Do not obstruct air intake or clean air outlet.

To ensure sufficient air circulation, make sure there is a 20 inch or 50 cm distance between air inlet and wall or nearby furniture.

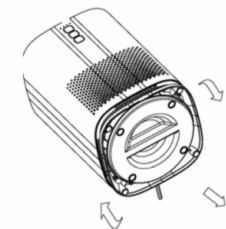
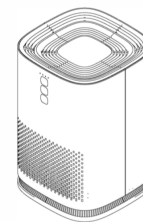
This will ensure enough ventilation and high efficiency.

Install Filter Set

All filters are combined into a one-piece housing for maximum effectiveness. Remove and replace filter according to instructions.

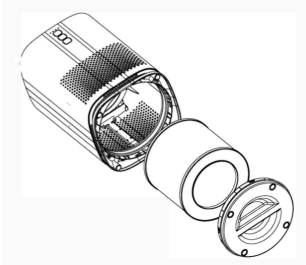
1. Place the machine in a dry location on a flat surface.

2. Rotate the base clockwise.



User Manual

3. Rotate base **CLOCKWISE** to remove filter cover in order to change filters. Remove old filter and replace with only **GENUINE MEDIFY REPLACEMENT FILTERS**.

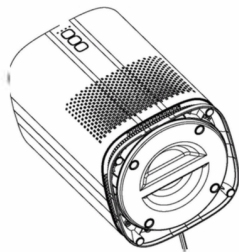


Attention

Please remove all packaging on the filters before use.

Do not use the air purifier without filters.

4. Reattach base at the bottom of the unit (with filters inside). Rotate counter-clockwise to secure base.



Helpful Hint

Please be careful when installing the back cover. Watch your hands.

To remove base, turn clockwise as shown in Figure A.



Figure A

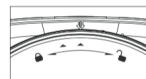


Figure B

To secure base, turn counter-clockwise as shown in Figure B.

User Manual

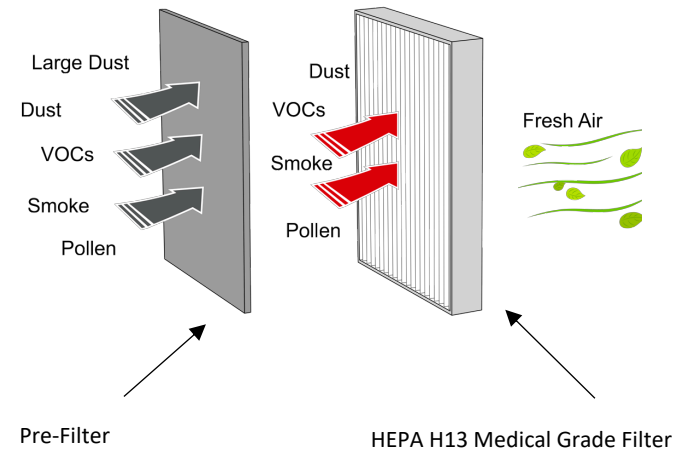
4. Filter Purification

1. Pre-Filter

Removes larger particles including hair, fibers, dander, and others.

2. HEPA H13 Filter

Removes 99.97% of particles down to 0.3 microns as well as PM2.5 particles such as, smoke, pollen, dust mites and others.



User Manual

5. How to Use

Power ON/OFF



Press button once. POWER indicator will turn on. After three seconds, the unit will turn onto Speed 1. The blue light will turn on.

Control Fan Speed



Press button to select speed from the following options: 1, 2, 3, S.

Speed 1 is slow
Speed 2 is medium
Speed 3 is fast
Speed "S" is sleep mode

Sleep Mode



Press button for sleep mode. After 5 seconds, all lights will turn off and only S button will appear with partial lighting. Press any button to quit SLEEP mode.

Standby Mode

Insert the plug into a power source. Unit lights will turn on. After one second, air purifier is in standby mode.

Turn Off Filter Replacement Light

Press and hold the button until all lights are off. The icon will appear with partial light. Press again and hold until all lights turn on. Filter replacement light should be off.



User Manual

6. Maintenance and Cleaning

Pull out power plug before cleaning the unit. Do not immerse machine in water or any other liquid. Do not use abrasive, corrosive or flammable products to clean any parts of the unit. Filters cannot be washed.

Clean the Air Purifier

Clean the air purifier regularly.
1. Use soft and dry clothes to remove the dust from the air purifier.
2. Use soft and dry clothes to clean the outlet and inlet of the air purifier.

Change Filter

The unit will remind user when filter needs to be replaced.

For steps to replace the filters, see pages 7-8.

Filter Replacement Suggestions

Filters should be replaced every 2000 hours of use.

The filter indicator light will let you know when you have reached that time.

7. Warranty

Warranty and Service

If you have any additional questions, please contact customer service.

All names and trademarks are property of Medify Air. Our company reserves the right to change the product at any time, without prior notice, and the company has no obligation to adjust products supplied earlier.

Please refer to detailed warranty terms on the following page.

To register for the lifetime warranty, please visit our website and register online at:

www.medifyair.com

Order Filters

You can order genuine Medify replacement filters at:
www.medifyair.com

Lifetime Warranty

Medify guarantees your Medify Air Purifier to be free of defects in material or workmanship for a lifetime period, provided you have completed and returned your warranty registration to Medify Air within the first 30 days of purchase, and that the filters are replaced with original and genuine Medify Air replacement filters at least once every four (4) months or after 2,000 hours of use. Within the first 30 days, Medify Air will replace the defective unit at no charge to you and reimburse you for any shipping charges. After 30 days, Medify Air's obligation and liability under this Lifetime Warranty is dependent on your use of our genuine filters, purchased on our website or from our authorized resellers, which can be found on our website.

Our Lifetime Warranty remains in effect as long as:

1. You submit your warranty registration to Medify Air within 30 days of purchase.
2. You change filters with genuine and original Medify Air replacement filters at least once every four (4) months or after 2,000 hours of use (whichever comes first).
3. You use a proper power supply based on voltage: 120-120 V.
4. There is no evidence of tampering, mishandling, neglect, accidental damage, modification, and/or repair done to the Medify Air Purifier by anyone other than authorized Medify Air service personnel.
5. Your air purifier is operated in accordance with the provided instructions.

This Lifetime Warranty is provided by:
Medify Air, 8 The Green, Dover, DE 19901.