



# ASSEMBLY INSTRUCTIONS

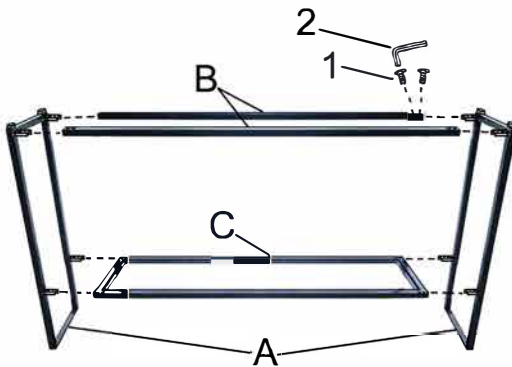
## Parts required

1		Bolt	$\phi 6 \times 12 \text{MML}$	20pcs
2		Allen wrench		1pc

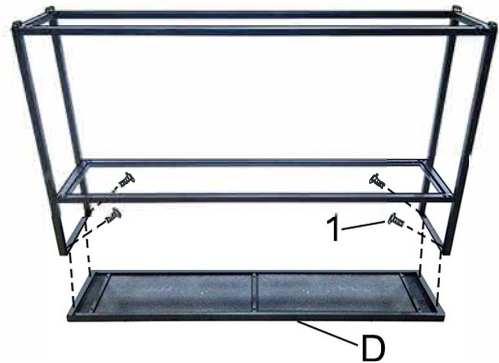
A		2pcs
---	---	------

B		2pcs
C		1pc
D		1pc
E		1pc

1.



2.



3.



4.

