

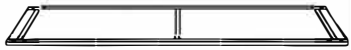



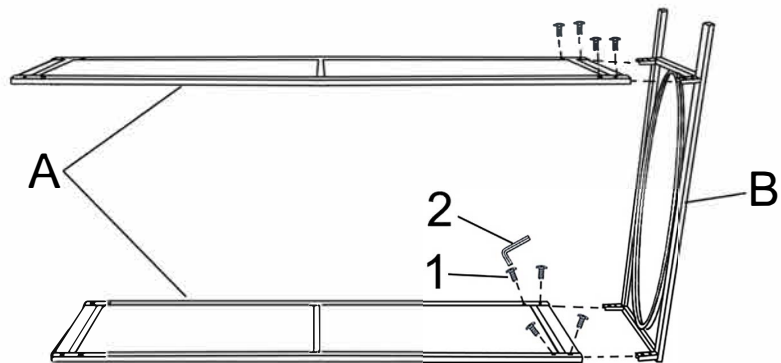
# ASSEMBLY INSTRUCTIONS

## Parts required

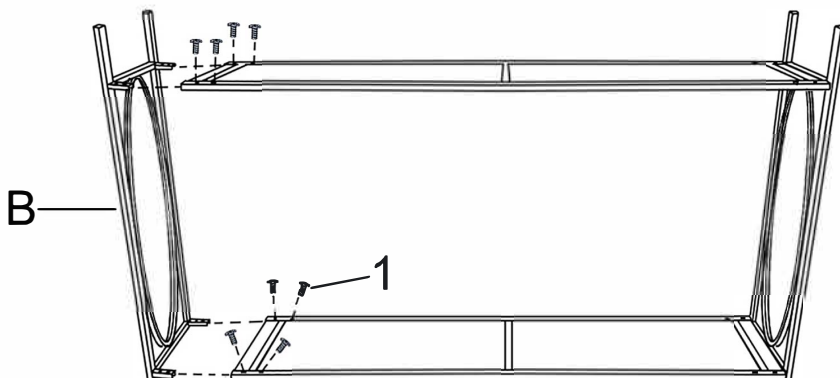
1		Bolt	$\Phi 6 \times 16 \text{MML}$	16pcs
2		Allen wrench		1pc

A		2pcs
B		2pcs

1.



2.



3.

