

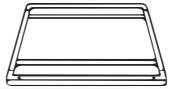




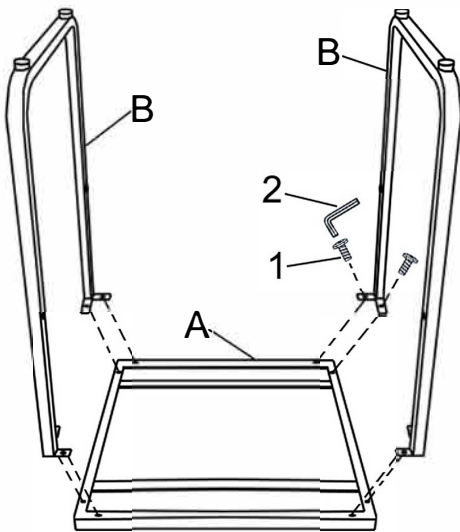
# ASSEMBLY INSTRUCTIONS

## Parts required

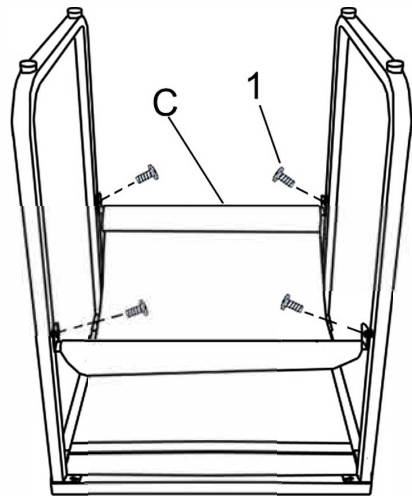
1		Bolt	Φ6*12MML	12pcs
2		Allen wrench		1pc

A		1pc
B		2pcs
C		1pc

1.



2.



3.

