



PRODUCT SPECIFICATIONS

Exclusively Designed • INTERNATIONALLY RECOGNIZED™

Scalloped Oval Model # LV1003L15{xx}{zz}

Product Features:

- Natural Copper
- Drop-in, Undermount or Above Counter Application
- Without Overflow (Non-Overflow Drain Required)
- Round, Flat or Rope Edge



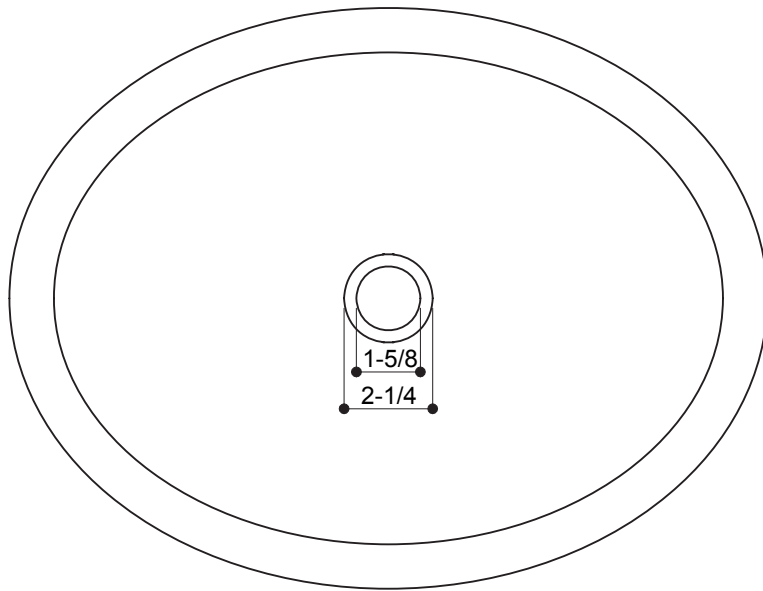
This Product Complies With:

- SGS USTC
- IAPMO IGC 194

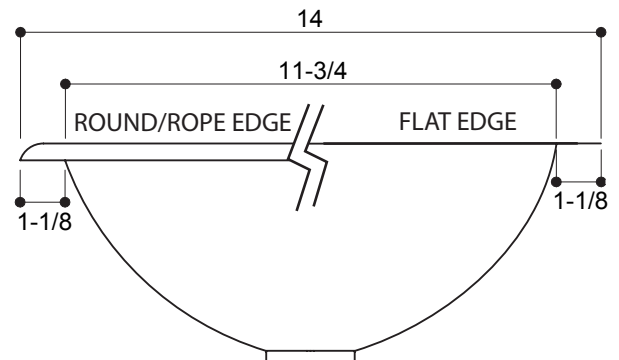
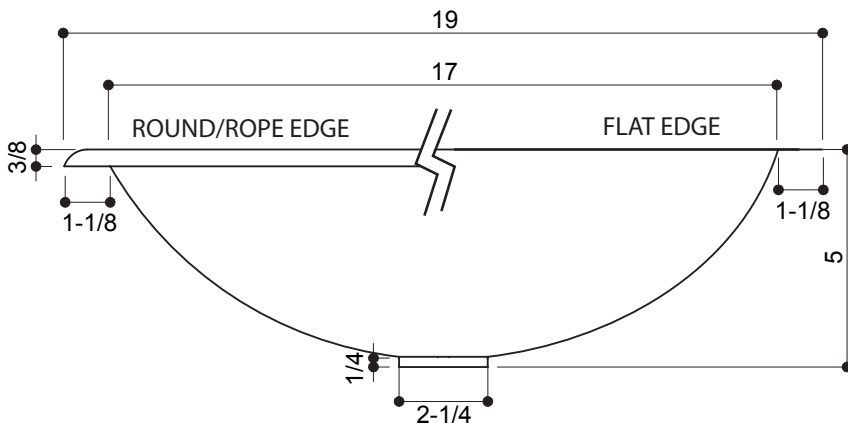
- | | | |
|---------------------------------------|---------------|------------------------|
| • Width: 19" (48.3 cm) | Measurements: | • Height: 5" (12.7 cm) |
| • Length: 14" (35.6 cm) | | |
| • Fits Standard 1-1/4" (3.2 cm) Drain | | |

- ### Recommended Accessories:
- Any D'vontz ® Lavatory Drain Without Overflow
 - Any D'vontz ® Faucet

PRODUCT DIMENSIONS



ALL DIMENSIONS ARE APPROXIMATE (+/- 1/2") AND ARE FOR REFERENCE ONLY. THE ACTUAL SINK MUST BE USED FOR CUT TEMPLATE AND/OR HOLE PLACEMENT.



Please install this product according to the installation guide and all local plumbing codes.