



INSTALLATION GUIDE

Exclusively Designed • INTERNATIONALLY RECOGNIZED

Model # GS-4411 UM-4414
GS-OF4411 UM-4415
LT-4410 UM-4416
PU-4412 UM-4417
PU-OF4412

This Product Complies With:

- SGS USTC
- ASME A112.18.2
- CA-AB1953
- CSA B125.2
- NSF/ANSI 61
- EPA WaterSense



Thank You for choosing our D'Vontz Drain Assembly

We appreciate your choice of our D'Vontz drains. All the information in this guide is based upon the latest product information available at the time of publication. We reserve the right to make changes in product characteristics, packaging, or availability at any time without notice. Please take a few minutes to review this guide. If you have any questions, please contact us at 918-622-3600.

Before you begin:

Observe all local plumbing and building codes. A professional plumber is not required for installation. Yet, for expert installation, you may contact a licensed professional plumbing contractor in your area.

Tools you may need:

- Adjustable wrench
- Teflon Tape
- 100% Clear Silicone (Plumbers putty is NOT recommended as it will void warranties)

Prepare the Sight:

1. Observe all local plumbing and building codes
2. Shut off the water supply to your sink or faucet. Shutting off water supply to the entire home is also acceptable, but not required.

Cautions, Care, Maintenance

For best results, keep the following in mind when caring for your D'Vontz drain:

- During installation, only 100% Silicone sealant is allowed. Failure to use a 100% Silicone product will VOID ALL manufacturer warranties and manufacturer finish warranties. Expressly, the use of Plumbers Putty is EXPRESSLY PROHIBITED.
- Always test your cleaning solution on an inconspicuous area before applying to the entire surface.
- Avoid industrial cleaners and abrasive cleaners, such as those used for toilet bowls and heavy duty scrub sponges. Avoid bleach, bleach products, products that state on the label that they remove tarnish and rust, and those containing hydrofluoric, hydrochloric and/or phosphoric acids or caustic agents.
- Wipe surfaces clean and rinse completely with water immediately after applying cleaner. Rinse and dry any overspray that lands on nearby surfaces.
- Do not allow cleaners to soak on surfaces.
- Use a soft, dampened sponge or cloth. Never use an abrasive material such as a brush or scouring pad to clean surfaces as it could ruin or damage the finishes.

Please install this product according to the installation guide and all local plumbing codes.

D'VONTZ • 7208 EAST 38th STREET • TULSA, OKLAHOMA 74145
918.622.3600 • FAX 918.622.3649 • WWW.DVONTZ.COM



INSTALLATION GUIDE

Exclusively Designed • INTERNATIONALLY RECOGNIZED

Model # GS-4411 UM-4414
GS-OF4411 UM-4415
LT-4410 UM-4416
PU-4412 UM-4417
PU-OF4412

This Product Complies With:

- SGS USTC
- ASME A112.18.2
- CA-AB1953
- CSA B125.2
- NSF/ANSI 61
- EPA WaterSense



Thank You for choosing our D'Vontz Drain Assembly

We appreciate your choice of our D'Vontz drains. All the information in this guide is based upon the latest product information available at the time of publication. We reserve the right to make changes in product characteristics, packaging, or availability at any time without notice. Please take a few minutes to review this guide. If you have any questions, please contact us at 918-622-3600.

Before you begin:

Observe all local plumbing and building codes. A professional plumber is not required for installation. Yet, for expert installation, you may contact a licensed professional plumbing contractor in your area.

Tools you may need:

- Adjustable wrench
- Teflon Tape
- 100% Clear Silicone (Plumbers putty is NOT recommended as it will void warranties)

Prepare the Sight:

1. Observe all local plumbing and building codes
2. Shut off the water supply to your sink or faucet. Shutting off water supply to the entire home is also acceptable, but not required.

Cautions, Care, Maintenance

For best results, keep the following in mind when caring for your D'Vontz drain:

- During installation, only 100% Silicone sealant is allowed. Failure to use a 100% Silicone product will VOID ALL manufacturer warranties and manufacturer finish warranties. Expressly, the use of Plumbers Putty is EXPRESSLY PROHIBITED.
- Always test your cleaning solution on an inconspicuous area before applying to the entire surface.
- Avoid industrial cleaners and abrasive cleaners, such as those used for toilet bowls and heavy duty scrub sponges. Avoid bleach, bleach products, products that state on the label that they remove tarnish and rust, and those containing hydrofluoric, hydrochloric and/or phosphoric acids or caustic agents.
- Wipe surfaces clean and rinse completely with water immediately after applying cleaner. Rinse and dry any overspray that lands on nearby surfaces.
- Do not allow cleaners to soak on surfaces.
- Use a soft, dampened sponge or cloth. Never use an abrasive material such as a brush or scouring pad to clean surfaces as it could ruin or damage the finishes.

Please install this product according to the installation guide and all local plumbing codes.

D'VONTZ • 7208 EAST 38th STREET • TULSA, OKLAHOMA 74145
918.622.3600 • FAX 918.622.3649 • WWW.DVONTZ.COM



INSTALLATION GUIDE

Exclusively Designed • INTERNATIONALLY RECOGNIZED
Model # PU-OF4412
PU-4412

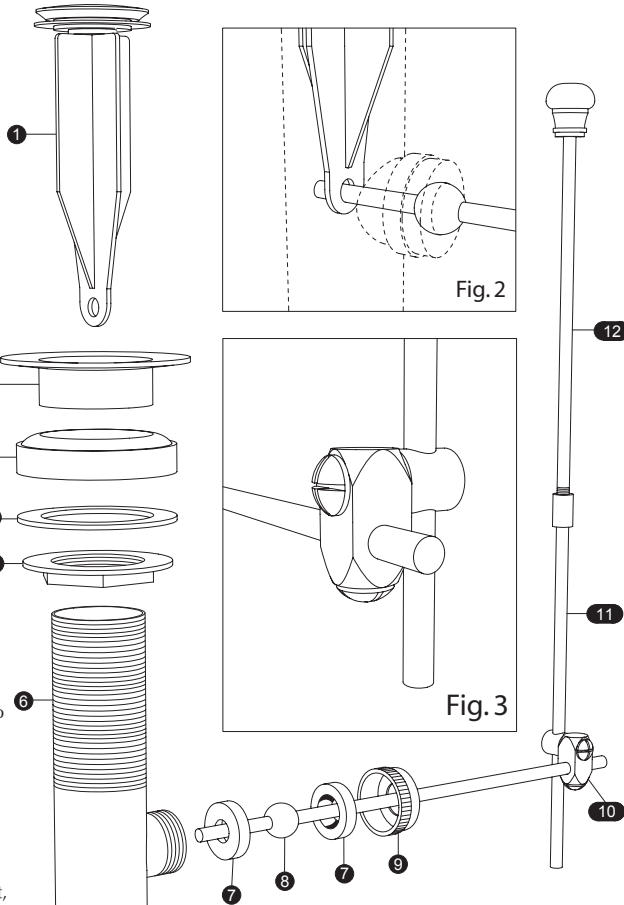
Packaging

Unpack your new D'Vontz drain and inspect for damage or missing pieces. If any damage is present, promptly contact us for return/replacement options. No return/refund will be honored to any damaged D'Vontz product post installation. Looking at the drawing, ensure all the parts listed are included in the packaging.

Return the drain assembly to the carton(s) until you are ready to install it.

Install Drain

1. Remove stopper from strainer tube.
2. Unscrew flange (#2) from drain body. Ensure gasket (#3), washer (#4), and lock nut (#5) are still remaining on the drain tube (#6).
3. Put a bead of 100% Silicone sealer around bottom of flange (#2). Put pipe joint tape on threaded end of drain tube (#6).
4. Thread lock nut down on drain tube, push rubber gasket (#3) (beveled side up) and rubber washer (#4) down onto lock nut (#5).
5. Place drain tube (#6) through hole in counter top and sink (underneath) and thread into flange (#2), orienting the ball actuating rod (#8) opening to the back of sink.
6. Thread lock nut up drain tube and tighten, ensuring the ball lever rod opening is set towards the back. Hand tighten lock nut only. Ideally, it is best to wait 24 hours and tighten further to allow for a solid silicone seal. Over tightening can squeeze out too much silicone possibly preventing a proper seal. Tighten lock nut (#4) with the adjustable wrench, if needed.
7. Remove excess silicone from around flange (#2) inside of sink.
8. Unscrew (#9) ball lever rod retaining nut, being careful to ensure plastic washers (#7) are in place. Place (#8) ball actuating rod and washers (#7) into opening with the ball between the nut (#9) and the drain body (#6).
9. Drop (#1) stopper into drain assembly with the hole oriented to accept the ball actuating rod. Insert ball actuating rod (#8) through hole in (#1) stopper (Fig. 2), through the (#8) opening. Secure in place by screwing the retaining nut (#8) until snug, but not too tight.
10. Insert lift rod (#12) from top of counter and faucet then connect extension rod (#11) via threaded collar.
11. Insert lift rod (#11/12) and ball actuating rod (#8) into lift rod connector (#10) as shown in diagram (Fig. 3). Tighten screws on connector until tight, or locked into place.
12. Install drain trap assembly and leak test all connections.



MAXIMUM COUNTERTOP THICKNESS = 2-1/2"

If you have any trouble during the installation of your D'Vontz drain, please call our Customer Service department at 918-622-3600. Congratulations on the successful installation of your D'Vontz faucet!

Please install this product according to the installation guide and all local plumbing codes.

D'VONTZ • 7208 EAST 38th STREET • TULSA, OKLAHOMA 74145
918.622.3600 • FAX 918.622.3649 • WWW.DVONTZ.COM



INSTALLATION GUIDE

Exclusively Designed • INTERNATIONALLY RECOGNIZED
Model # PU-OF4412
PU-4412

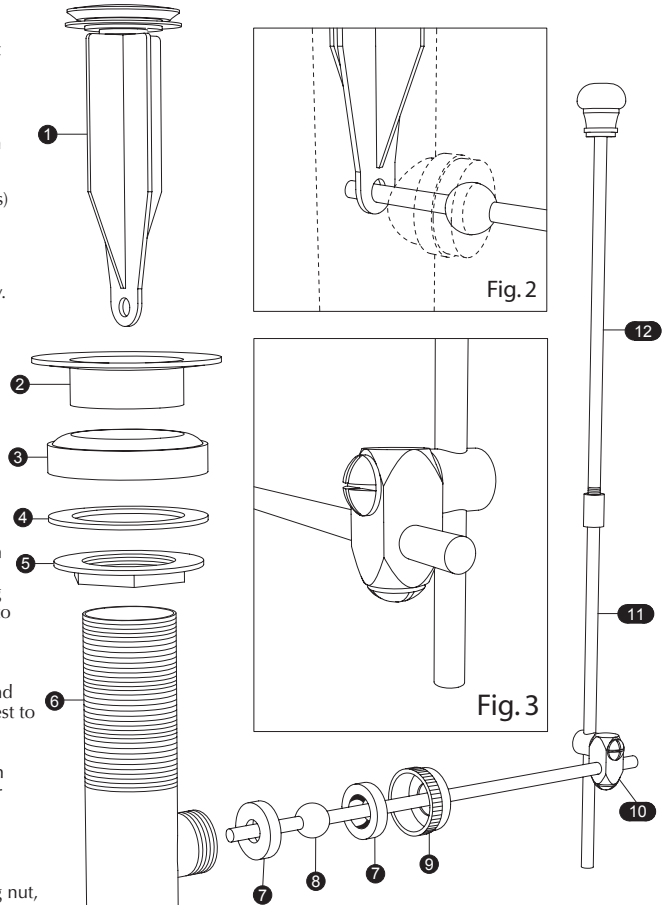
Packaging

Unpack your new D'Vontz drain and inspect for damage or missing pieces. If any damage is present, promptly contact us for return/replacement options. No return/refund will be honored to any damaged D'Vontz product post installation. Looking at the drawing, ensure all the parts listed are included in the packaging.

Return the drain assembly to the carton(s) until you are ready to install it.

Install Drain

1. Remove stopper from strainer tube.
2. Unscrew flange (#2) from drain body. Ensure gasket (#3), washer (#4), and lock nut (#5) are still remaining on the drain tube (#6).
3. Put a bead of 100% Silicone sealer around bottom of flange (#2). Put pipe joint tape on threaded end of drain tube (#6).
4. Thread lock nut down on drain tube, push rubber gasket (#3) (beveled side up) and rubber washer (#4) down onto lock nut (#5).
5. Place drain tube (#6) through hole in counter top and sink (underneath) and thread into flange (#2), orienting the ball actuating rod (#8) opening to the back of sink.
6. Thread lock nut up drain tube and tighten, ensuring the ball lever rod opening is set towards the back. Hand tighten lock nut only. Ideally, it is best to wait 24 hours and tighten further to allow for a solid silicone seal. Over tightening can squeeze out too much silicone possibly preventing a proper seal. Tighten lock nut (#4) with the adjustable wrench, if needed.
7. Remove excess silicone from around flange (#2) inside of sink.
8. Unscrew (#9) ball lever rod retaining nut, being careful to ensure plastic washers (#7) are in place. Place (#8) ball actuating rod and washers (#7) into opening with the ball between the nut (#9) and the drain body (#6).
9. Drop (#1) stopper into drain assembly with the hole oriented to accept the ball actuating rod. Insert ball actuating rod (#8) through hole in (#1) stopper (Fig. 2), through the (#8) opening. Secure in place by screwing the retaining nut (#8) until snug, but not too tight.
10. Insert lift rod (#12) from top of counter and faucet then connect extension rod (#11) via threaded collar.
11. Insert lift rod (#11/12) and ball actuating rod (#8) into lift rod connector (#10) as shown in diagram (Fig. 3). Tighten screws on connector until tight, or locked into place.
12. Install drain trap assembly and leak test all connections.



MAXIMUM COUNTERTOP THICKNESS = 2-1/2"

If you have any trouble during the installation of your D'Vontz drain, please call our Customer Service department at 918-622-3600. Congratulations on the successful installation of your D'Vontz faucet!

Please install this product according to the installation guide and all local plumbing codes.

D'VONTZ • 7208 EAST 38th STREET • TULSA, OKLAHOMA 74145
918.622.3600 • FAX 918.622.3649 • WWW.DVONTZ.COM