

**Oster**<sup>®</sup>

*User's Manual*

## 0.7cu. ft. Countertop Microwave



**Model: OGCMV207S2-07**

# TABLE OF CONTENTS

IMPORTANT SAFETY INSTRUCTIONS	2
PRECAUTIONS TO AVOID POSSIBLE EXPOSURE TO EXCESSIVE MICROWAVE ENERGY	3
INSTALLATION GUIDE	4
GROUNDING INSTRUCTIONS	4
INSTALLING THE TURNTABLE	5
PRODUCT DIAGRAM	6
SPECIFICATIONS	6
CONTROL PANEL	7
OPERATION INSTRUCTIONS	8
AUTO COOK SETTINGS	10
COOKING UTENSILS GUIDE	12
CLEANING AND CARE	13

# IMPORTANT SAFETY INSTRUCTIONS

READ ALL SAFETY INSTRUCTIONS BEFORE USING THIS MICROWAVE

**WARNING** - to reduce the risk of burns, electric shock, fire, injury to persons, or exposure to excessive microwave energy, basic safety precautions should be followed, including the following:

1. Read all instructions before using the microwave.
2. Read and follow the specific "PRECAUTIONS TO AVOID POSSIBLE EXPOSURE OR EXCESSIVE MICROWAVE ENERGY" on page 3.
3. This microwave must be grounded. Connect only to properly grounded outlets. See page 4 for grounding instructions.
4. Install or place this microwave only in accordance with installation instructions.
5. Some produce such as whole eggs and sealed containers - for example, closed glass jars - are able to explode and should not be heated in this oven.
6. This microwave is intended for use only as described in this manual. Do not use corrosive chemicals or vapors in this microwave. This type of microwave is specifically designed to heat, cook, or dry foods. It is not designed for laboratory use.
7. As with any appliance, close supervision is necessary when used by children.
8. To reduce the risk of fire in the oven cavity:
  - Do not overcook food. Carefully attend to the microwave when paper, plastic, or other combustible materials are placed inside the microwave to facilitate cooking.
  - Remove wire twist-ties from paper or plastic bags before placing in microwave.
  - If materials inside the microwave should ignite, keep microwave door closed, turn it off, and disconnect the power cord or turn off the power fuse at the circuit breaker panel.
  - Do not use the microwave cavity for storage purposes. Do not leave paper products, cooking utensils, or food in the cavity when not in use.
9. Liquids, such as water, coffee, or tea, may overheat beyond the boiling point without appearing to be boiling due to surface tension of the liquid. Visible bubbling or boiling when the container is removed from the microwave is not always present. **THIS COULD RESULT IN VERY HOT LIQUIDS SUDDENLY BOILING OVER WHEN A SPOON OR OTHER UTENSIL IS INSERTED INTO THE LIQUID.** To reduce the risk of injury:
  - Do not overheat the liquid;
  - Stir the liquid both before and halfway through heating;
  - Do not use straight-sided containers with narrow necks;
  - After heating, allow the container to stand in the microwave a short time before removing;
  - Use extreme care when inserting a spoon or other utensil into the container.
10. Do not heat oil or fat for deep frying in this microwave. It is difficult to control the temperature of oil in the microwave.
11. Pierce foods with heavy skins, such as potatoes, before cooking.
12. The contents of feeding bottles and baby jars should be stirred or shaken and the temperature should be checked before serving to avoid burns.
13. Cooking utensils may become hot from heat transferred from the heated food. Pot holders may be needed to handle these utensils.
14. Do not cover or block any openings on the microwave.
15. Do not store or use this microwave outdoors. Do not use this microwave near water, for example, near a kitchen sink, in a wet basement, near a swimming pool, or similar location.
16. Do not operate this microwave if it has a damaged cord or plug, if it is not working properly, or if it has been damaged or dropped.

## **IMPORTANT SAFETY INSTRUCTIONS (continued)**

17. Do not immerse the cord or plug in water. Keep cord away from heated surfaces. Do not let the cord hang over the edge of the table or counter.
18. Use only thermometers specifically designed for microwaves.
19. Do not operate any heating or cooking under this microwave.
20. Be certain the glass tray and roller rings are in place when using the microwave.
21. When cleaning microwave surface and door, use only mild, nonabrasive soaps or detergents applied with a sponge or soft cloth.
22. This equipment generates, uses and can radiate radio frequency energy and, if not installed and used in accordance with the instructions, may cause harmful interference to radio communications. However, there is no guarantee that interference will not occur in a particular installation. If this equipment does cause harmful interference to radio or television reception, which can be determined by turning the equipment off and on, the user is encouraged to try to correct the interference by one or more of the following measures:
  - Reorient or relocate the receiving antenna.
  - Increase the separation between the equipment and receiver.
  - Connect the equipment into an outlet on a circuit different from that to which the receiver is connected.
  - Consult the dealer or an experienced radio/TV technician for help.
23. This microwave should be serviced only by qualified service personnel. For service and repair, please contact our Customer Support Center at 1-800-324-0340.

## **PRECAUTIONS TO AVOID POSSIBLE EXPOSURE TO EXCESSIVE MICROWAVE ENERGY**

1. Do not attempt to operate this microwave with the door open. Door open operation can result in harmful exposure to microwave energy. It is important not to defeat or tamper with the door interlocks.
2. Do not place any objects between the microwave front face and the door, or allow soil or cleaner residue to accumulate on sealing surfaces.
3. Do not operate the microwave if damaged. It is particularly important that the microwave door be properly closed and there is no damage to the door (bent), hinges and latches (broken or loosened), or door seals and sealing surfaces.
4. The microwave should not be adjusted or repaired by anyone except properly qualified service personnel.

**SAVE THESE INSTRUCTIONS**

# INSTALLATION GUIDE

1. Make sure all packing materials are removed from inside the microwave door.
2. Check the microwave for damage, such as misaligned or bent door, damaged door seals and sealing surface, broken or loose door hinges and latches, and dents inside the cavity or on the door. If there are any damages, do not operate the microwave and contact Customer Service at 1-800-324-0340.
3. This microwave must be placed on a flat, stable surface to hold its weight and the heaviest food likely to be cooked inside.
4. Do not place the oven where heat, moisture, or high humidity is generated. Do not place microwave near combustible materials.
5. For correct operation, the oven must have sufficient air flow. Allow 8" of space above the microwave, 4" at the back, and 2" on each side of the unit.
6. Do not cover or block any openings on the microwave. Do not remove microwave feet. Do not operate the oven without the glass tray, roller support, and shaft in their proper positions. Make sure the power supply cord is undamaged and does not run under the microwave or over any hot or sharp surface.
7. The socket must be readily accessible so the microwave can be easily unplugged in an emergency.

# GROUNDING INSTRUCTIONS

This microwave must be grounded. In the event of an electrical short circuit, grounding reduces risk of electric shock by providing an escape wire for the electric current. Consult a qualified electrician or serviceman if the grounding instructions are not completely understood, or if doubt exists as to whether the appliance is properly grounded, and either: 1) If it is necessary to use an extension cord, use only a 3-wire extension cord that has a 3-blade grounded plug, and 3-slot receptacle that will accept the plug on the appliance. The marked rating of the extension cord shall be equal to or greater than the electrical rating of the appliance, or 2) Do not use an extension cord. If the power supply cord is too short, have a qualified electrician or service man install an outlet near the appliance. For questions regarding the grounding instructions, please contact our Customer Support Center at 1-800-324-0340.

**WARNING:** Improper use of the grounding plug can result in risk of electric shock.

## ELECTRICAL REQUIREMENTS

---

The electrical requirements for this microwave are a 120V, 60Hz, AC only, 15 amp.

It is recommended that a separate circuit serving only the microwave be provided.

The microwave is equipped with a 3-prong grounding plug. It must be plugged into a wall outlet properly installed and grounded.

## POWER CORD

---

- A short power supply cord is provided to reduce the risks resulting from becoming entangled in or tripping over a long cord.
- Longer cord sets or extension cords are available and may be used if care is taken in using them.
- If using a longer cord, the marked electrical rating of the cord set or extension cord should be at least as great as the electrical marking of the microwave itself and the extension cord must be a grounded-type 3-wire cord. The longer cord should be arranged so it will not drape over the counter or tabletop.

# GROUNDING INSTRUCTIONS (continued)

## RADIO OR TV INTERFERENCE

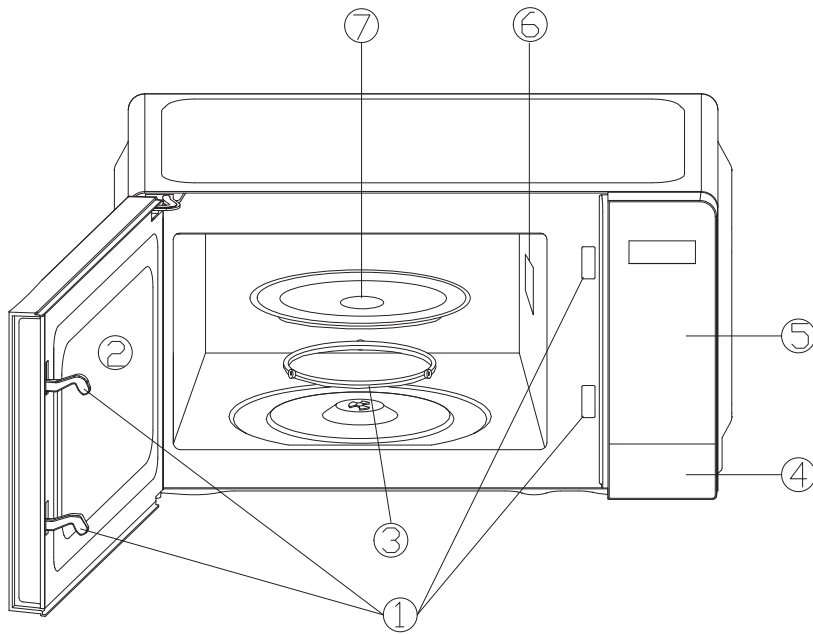
---

- Should there be any interference caused by the microwave oven to your radio or TV, check that the microwave oven is on a different circuit, relocate the radio or TV as far away from the oven as feasible, and check position and signal of receiving antenna.

## INSTALLING THE TURNTABLE

- Never place the glass tray upside down.
- The glass tray should never be restricted.
- Both the glass tray and turntable ring assembly must always be used during cooking.
- All food and containers of food should always be placed on the glass tray for cooking.
- If the glass tray or turntable ring assembly cracks or breaks, contact 1-800-324-0340.

# PRODUCT DIAGRAM



1. Door Safety Lock System

2. Oven Window

3. Turntable Roller

4. Door Release Button

5. Control Panel

6. Wave Guide

(Please do not remove the mica plate covering the wave guide)

7. Glass tray

# SPECIFICATION

Power Consumption	120V-60Hz, 1100W(microwave)
Output	700W
Operation Frequency	2450MHz
Outside Dimensions(H x W x D)	9 <sup>9</sup> / <sub>16</sub> × 17 <sup>9</sup> / <sub>16</sub> × 12 <sup>3</sup> / <sub>4</sub> inches
Oven Cavity Dimensions(H x W x D)	7 <sup>15</sup> / <sub>16</sub> × 11 <sup>3</sup> / <sub>4</sub> × 12 <sup>3</sup> / <sub>16</sub> inches.
Oven Capacity	0.7 cu.ft.
Cooking Uniformity	Turntable System
Net Weight	Approx. 20.5 lbs

# CONTROL PANEL



- **MENU ACTION SCREEN**

Cooking time, power, indicators and present time are displayed.

- **AUTO COOK MENUS**

Instant settings to cook popular foods

- **NUMBER PADS (0-9)**

Press to set time or amount of food. But use the number pads from 1 to 6 to set express cooking program.

- **CLOCK**

Press to set clock time.

- **TIME COOK**

Press to set microwave cooking program or set multistage cooking program.

- **TIMER**

Press to set timer function.

- **TIME DEFROST**

Press to set defrost program based on time.

- **WEIGHT DEFROST**

Press to set defrost program based on weight.

- **POWER**

Press to set microwave cooking power level.

- **STOP/CANCEL**

Press to reset the oven before setting a cooking program.

Press once to temporarily stop cooking, or twice to cancel cooking altogether.

It is also used for setting child lock function.

- **START/+30 SEC.**

Use to start cooking program.

Simply press it a number of times to set cooking time and cook immediately at full power level.



# OPERATION INSTRUCTIONS

- When the oven first plugged in, beep will sound and the display will show "1:01".
- In the process of cooking set, broke about 25 seconds the oven will return to standby mode.
- During cooking, if press STOP/CANCEL pad once, the program will be paused, then press START/+30 SEC. pad to resume, but if press STOP/CANCEL pad twice, the program will be canceled.
- After ending cooking, the screen will display End with sound every two minutes until user press STOP/CANCEL pad or open the door.
- In the process of operation, press a valid pad, the buzzer rings once, but if press a invalid pad, the buzzer rings twice.

## SETTING CLOCK TIME

This is a 12 or 24 hour clock, you can choose to set the clock time in 12 or 24 hour cycle by pressing the CLOCK pad in standby mode.

1. In standby mode, press CLOCK pad once or twice to select 12 or 24 hour clock.
2. Use the number pads to set the correct time.
3. Press CLOCK pad to confirm.

**NOTE:** During cooking, you can check the current time of the clock by pressing CLOCK pad.

## EXPRESS COOKING

Directly in standby mode, when you press a number pad (1, 2, 3, 4, 5 or 6) once, the corresponding system direct start cooking time starts respectively 1 minute, 2 minutes, 3 minutes, 4 minutes, 5 minutes and 6 minutes. The microwave oven will start to cook at full power level.

## +30 SEC. FUNCTION

In standby mode, press START/+30 SEC. pad repeatedly to set the cooking time (each press to increase 30 seconds, and up to 99 minutes and 99 seconds). The oven will start working automatically.

**NOTE:** During microwave cooking or express cooking program, you can add the cooking time by pressing START/+30 SEC. pad.

## SETTING THE TIMER

1. In standby mode or during cooking, press TIMER pad once.
2. Use the number pads to set the desired time. The longest time is 99 minutes and 99 seconds.
3. Press START/+30 SEC. pad to confirm.

**NOTE:** When the countdown ends, the buzzer will beep to remind you. You can check the countdown time by pressing TIMER pad, but if STOP/CANCEL pad is pressed when the display shows the time, the function can be cancelled.

## MICROWAVE COOKING

1. In standby mode, press the TIME COOK pad once.
2. Use the number pads to set cooking time. The longest time is 99 minutes and 99 seconds.
3. Press POWER pad once (default 100% power level), and then use the number pads to set other power level.
4. Press START/+30 SEC. pad to start.

**Use the number pads to set a cooking power level:**

Press number pad	Cooking power (Display)	Press number pad	Cooking power (Display)
1,0	100%(P10)	4	40%(P-4)
9	90%(P-9)	3	30%(P-3)
8	80%(P-8)	2	20%(P-2)
7	70%(P-7)	1	10%(P-1)
6	60%(P-6)	0	0%(P-0)
5	50%(P-5)		

**NOTE:** During cooking, you can press POWER pad to check the cooking power.

## TIME DEFROST

---

The defrosting power is adjusted automatically once the cooking time is programmed.

1. In standby mode, press TIME DEFROST pad once.
2. Use the number pads to set defrosting time. The longest time is 99 minutes and 99 seconds.
3. Press START/+30 SEC. pad to confirm.

**NOTE:** During defrosting program, the system will pause and sound beeps to remind user to turn food over, and then press START/+30 SEC. pad to resume.

## WEIGHT DEFROST

---

The defrosting time and power level are automatically set once the food weight is programmed. The maximum frozen food weight is 5 LB.16 oz.

1. Press WEIGHT DEFROST pad once.
2. Use the number pads to set the food weight.
3. Press START/+30 SEC. pad to confirm.

**NOTE:**

- During defrosting program, the system will pause and sound beeps to remind user to turn food over, and then press START/+30 SEC. pad to resume.
- Weight must be in pounds and ounces. If label gives weight in pounds only, change the fraction of a pound to ounces using the following chart.

### Converting Fractions of a Pound to Ounces

Fractions of a pound	Ounces
Less than .03	0
.03 to .09	1
.10 to .15	2
.16 to .21	3
.22 to .27	4
.28 to .34	5
.35 to .40	6
.41 to .46	7
.47 to .53	8

Fractions of a pound	Ounces
.54 to .59	9
.60 to .65	10
.66 to .71	11
.72 to .78	12
.79 to .84	13
.85 to .90	14
.91 to .97	15
above .97	go to next even

## MULTISTAGE COOKING

---

Your oven can be programmed up to 3 automatic cooking sequences. It can be composed of time defrost with one or two microwave cooking program, or composed of two microwave cooking program.

### A. Time defrost with one or two-stage microwave cooking

1. Open the door and place the food into the oven, close it.
2. Press TIME DEFROST pad once.
3. Set desired defrosting time by pressing correct number pads.
4. Press TIME COOK pad once.
5. Input the first microwave cooking program. Do not press START/+30 SEC. pad.
6. Input the second microwave cooking program.
7. Press START/+30 SEC. pad to confirm.

**NOTE:** Step 6 is not necessary if you have one microwave cooking program. Time defrost can only be set in the first stage.

### B. Two-stage microwave cooking

Some recipes require different stages of cooking at different temperatures.

1. Input the first microwave cooking program.
2. Input the second microwave cooking program.
3. Press START/+30 SEC. pad to confirm.

## CHILD LOCK

---

The safety lock prevents unsupervised operation by children.

To set: In standby mode, press and hold STOP/CANCEL pad for 3 seconds, then a beep will sound, lock indication appears on the display for 3 seconds, the oven will auto enter child lock mode. In the lock state, all pads are disabled.

To cancel: In child lock mode, press and hold STOP/CANCEL pad for 3 seconds, then a beep will sound and the oven can be operated.

## AUTO COOK SETTINGS

The quick cook settings allow you to cook or reheat food automatically without entering power level or time. For smaller portions, simply press the applicable pad and start. For larger portions, push the pad twice. FROZEN DINNER, POTATO and BEVERAGE allow you to cook multiple amounts of the same food.

### POPCORN

---

1. Press POPCORN once.  
Popcorn automatically sets the cooking time for a 3.5 oz bag of microwave popcorn.
2. Press START/+30 SEC. pad to confirm.

**NOTE:** To change the preset POPCORN time: Press POPCORN twice. Press number pads to set minutes and seconds. Press START/+30 SEC. pad. The longest cooking time is 99 minutes and 99 seconds. This new cooking time will be set as the default one until next power on.

For a better cooking effect, when you cook a large bag of microwave popcorn, you need to fold the four corners of the package.

### POTATO

---

**For potatoes (4 to 6 oz/serving):**

1. Press POTATO once.
2. Set number of potatoes by pressing number pads from 1 to 4.
3. Press START/+30 SEC. pad to confirm.

**For larger potatoes (8 to 10 oz/serving):**

1. Press POTATO twice.
2. Set number of potatoes by pressing number pads from 1 to 4.
3. Press START/+30 SEC. pad to confirm.

### PIZZA

---

**Reheating a slice of pizza (about 5 oz):**

1. Press PIZZA once.
2. Press START/+30 SEC. pad to confirm.

**Heating a whole frozen pizza (about 16 oz):**

1. Press PIZZA twice.
2. Press START/+30 SEC. pad to confirm.

### FROZEN DINNER

---

**For one or two small (7~9 oz/serving) frozen dinners:**

1. Press FROZEN DINNER once.
2. For 1 entree, press the number pad "1". For 2 entrees, press the number pad "2".
3. Press START/+30 SEC. pad.

**Microwaving one or two larger (10~12 oz/serving) frozen dinner:**

1. Press FROZEN DINNER twice.
2. For 1 entree, press the number pad "1". For 2 entrees, press the number pad "2".
3. Press START/+30 SEC. pad to confirm.

### BEVERAGE

---

**For cups (5 to 7 oz/serving):**

1. Press BEVERAGE once.
2. Set number of cups by pressing number pads from 1 to 4.
3. Press START/+30 SEC. pad to confirm.

**For larger mugs (9 to 11 oz/serving):**

1. Press BEVERAGE twice.

2. Set number of mugs by pressing number pads from 1 to 4.
3. Press START/+30 SEC. pad to confirm.

## REHEAT

---

### **To reheat a plate of leftover (12~18 oz):**

1. Press REHEAT pad once.
2. Press START/+30 SEC. pad to confirm

# COOKING UTENSILS GUIDE

This section lists which utensils can be used in the microwave, which ones have limited use for short periods, and which ones should not be used in the microwave.

## RECOMMENDED

---

**Microwave browning dish** — Use to brown the exterior of small items such as steaks, chops, or pancakes. Follow the directions provided with your browning dish.

**Microwaveable plastic wrap** — Use to retain steam. Leave a small opening for some steam to escape and avoid placing it directly on the food.

**Paper towels and napkins** — Use for short-term heating and covering; these absorb excess moisture and prevent spattering. Do not use recycled paper towels, which may contain metal and could ignite.

**Glass and glass-ceramic bowls and dishes** — Use for heating or cooking.

**Paper plates and cups** — Use for short-term heating at low temperatures. Do not use recycled paper, which may contain metal and could ignite.

**Wax paper** — Use as a cover to prevent spattering.

**Thermometers** — Use only those labeled "Microwave Safe" and follow all directions. Check the food in several places. Conventional thermometers may be used on microwave food once the food has been removed from the oven.

## LIMITED USE

---

**Aluminum foil** — Use narrow strips of foil to prevent overcooking of exposed areas. Using too much foil can damage your oven, so be careful. You should keep distance of 1 inch (2.54cm) between aluminum foil and cavity.

**Ceramic, porcelain, and stoneware** — Use these if they are labeled "Microwave Safe". If they are not labeled, test them to make sure they can be used safely.

**Plastic** — Use only if labeled "Microwave Safe". Other plastics can melt.

## NOT RECOMMENDED

---

**Glass jars and bottles** — Regular glass is too thin to be used in a microwave. It can shatter and cause damage and injury.

**Paper bags** — These are a fire hazard, except for popcorn bags that are designed for microwave use.

**Styrofoam plates and cups** — These can melt and leave an unhealthy residue on food.

**Plastic storage and food containers** — Containers such as margarine tubs can melt in the microwave.

**Metal utensils** — These can damage your oven. Remove all metal before cooking.

NOTE: Should you wish to check if a dish is safe for microwaving, place the empty dish in the oven and microwave on HIGH for 30 seconds. A dish which becomes very hot should not be used.

# CLEANING AND CARE

1. Turn off the microwave and unplug the power cord from the wall when cleaning.
2. Keep the inside of the microwave clean. When food splatters or spilled liquids adhere to microwave walls, wipe with a damp cloth. Mild detergents may be used if the microwave gets very dirty. Avoid using spray or other harsh cleaners. They may stain, streak, or dull the door surface.
3. The outside of the microwave should be cleaned with a damp cloth. To prevent damage to the operating parts inside the microwave, water should not be allowed to seep into the ventilation openings.
4. Wipe the window on both sides with a damp cloth to remove any spills or splatters.
5. Do not allow the control panel to become wet. Clean with a soft, damp cloth. When cleaning the panel, leave the microwave door open to prevent it from accidentally turning on.
6. If steam accumulates inside or around the outside of the door, wipe with a soft cloth. This may occur when the microwave is operated under high humidity. This is normal.
7. It may be necessary to remove the glass tray for cleaning. Wash the tray in warm, soapy water or in a dishwasher. The roller ring and microwave floor should be cleaned regularly to avoid excessive noise. Wipe the bottom surface of the microwave with a mild detergent.
8. The roller ring may be washed in mild, soapy water or in a dishwasher. When removing the roller ring, be sure to replace it in the proper position.
9. Remove odors from your microwave by combining a cup of water with the juice and skin of one lemon in a microwaveable bowl. Microwave for 5 minutes. Wipe thoroughly and dry with a soft cloth.
10. If the light bulb burns out, please contact customer service to have it replaced.
11. The microwave should be cleaned regularly and any food deposits should be removed. Failure to maintain the microwave in a clean condition could lead to deterioration of surfaces that could adversely affect the life of the unit and could possibly result in a hazardous situation.
12. Please do not dispose of this appliance into a regular garbage receptacle. Please check to see where you can dispose such appliances.

# WARRANTY FOR OSTER® COUNTERTOP MICROWAVE

OGCMV207S2-07

---

## ONE-YEAR LIMITED WARRANTY

For one year from the date of purchase, when this appliance is operated and maintained according to instructions attached to or furnished with the product, Guangdong Galanz Microwave Electrical Appliances Manufacturing Co., Ltd., (“GALANZ”) will pay for replacement parts and repair labor costs to correct defects in materials or workmanship, replace the appliance with an equivalent unit or a new unit, or refund the purchase price, solely at our option. Service must be provided by a GALANZ designated service company.

---

### To Obtain Warranty Service and Troubleshooting Information:

If you need service, first see the Before Calling for Service section of your User Manual.

To obtain service, call our Consumer Care Center at: 1-800-324-0340 in the U.S.

### GALANZ will not pay for:

1. Service calls to correct the installation of your appliance, to instruct you how to use your appliance, to replace house fuses or correct house wiring, or to replace light bulbs.
2. Repairs when your appliance is used in other than normal, single-family household use.
3. Pickup and delivery.
4. Damage resulting from accident, alteration, misuse, abuse, fire, flood, improper installation, acts of God, or use of products not approved by GALANZ.
5. Repairs to parts or systems resulting from unauthorized modifications made to the appliance.
6. Service or warranty support for units located and/or operated outside the United States.

---

**NO WARRANTIES, WHETHER EXPRESS OR IMPLIED, INCLUDING, BUT NOT LIMITED TO, ANY IMPLIED WARRANTIES OF MERCHANTABILITY OR FITNESS FOR A PARTICULAR PURPOSE, OTHER THAN THOSE EXPRESSLY DESCRIBED ABOVE SHALL APPLY. MANUFACTURER FURTHER DISCLAIMS ALL WARRANTIES AFTER THE EXPRESS WARRANTY PERIOD STATED ABOVE. NO OTHER EXPRESS WARRANTY OR GUARANTY GIVEN BY ANY PERSON, FIRM OR ENTITY WITH RESPECT TO THE PRODUCT SHALL BE BINDING ON GALANZ. REPAIR OR REPLACEMENT IS THE EXCLUSIVE REMEDY OF THE CONSUMER. GALANZ AND SUNBEAM PRODUCTS, INC. SHALL NOT BE LIABLE FOR ANY INCIDENTAL OR CONSEQUENTIAL DAMAGES CAUSED BY THE USE, MISUSE OR INABILITY TO USE THE PRODUCT. NOTWITHSTANDING THE FOREGOING, CONSUMER’S RECOVERY AGAINST GALANZ SHALL NOT EXCEED THE PURCHASE PRICE OF THE PRODUCT SOLD BY GALANZ. THIS WARRANTY SHALL NOT EXTEND TO ANYONE OTHER THAN THE ORIGINAL CONSUMER WHO PURCHASED THE PRODUCT AND IS NOT TRANSFERABLE.**

Some states or provinces do not allow the exclusion or limitation of incidental or consequential damages or allow limitations on warranties, so limitation or exclusions may not apply to you. This warranty gives you specific legal rights, and you may have other rights that vary from state to state or province to province. **Outside the 50 United States, this warranty does not apply. Contact your authorized GALANZ dealer to determine if another warranty applies.**

---

**Keep this Warranty and your sales slip together for future reference. You must provide proof of purchase for in-warranty service.**

Write down the following information about your appliance to better help you obtain assistance or service if you ever need it. You will need know your complete model number and serial number. You can find this information on the model and number label / plate.

### CUSTOMER’S RECORD

Date of Purchase: \_\_\_\_\_ Store / Dealer: \_\_\_\_\_  
Model No.: \_\_\_\_\_ Serial No.: \_\_\_\_\_

年份改动见措施单



© 2020 Sunbeam Products, Inc. doing business as Jarden Consumer Solutions. All rights reserved.

Oster® logo is a registered trademark of Sunbeam Products, Inc. used under license.

Distributed by Guangdong Galanz Microwave Electrical Appliances Manufacturing Co., Ltd.,

Huangpu, Zhongshan, Guangdong, 528429, China.

For service, support and warranty information, call 1-800-324-0340.