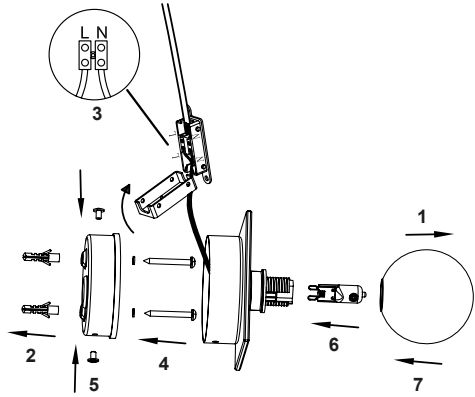
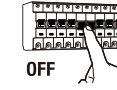
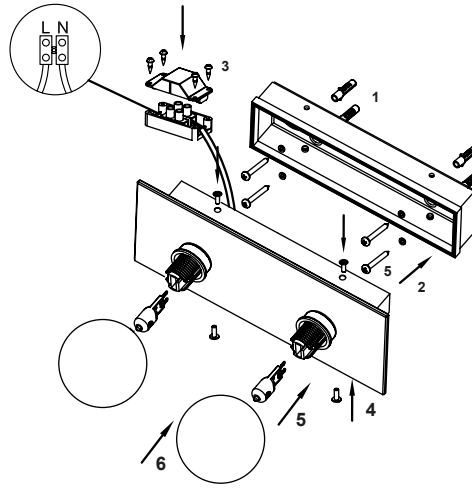




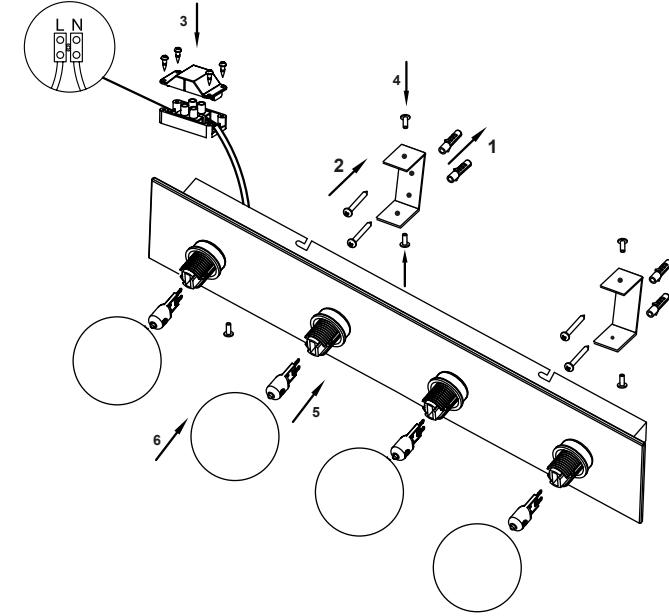
Ref. 62974
1 x G9 LED no incl



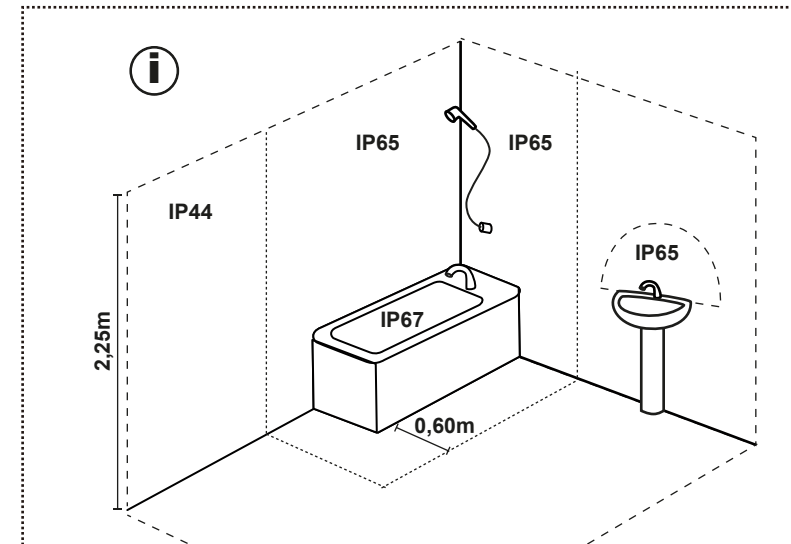
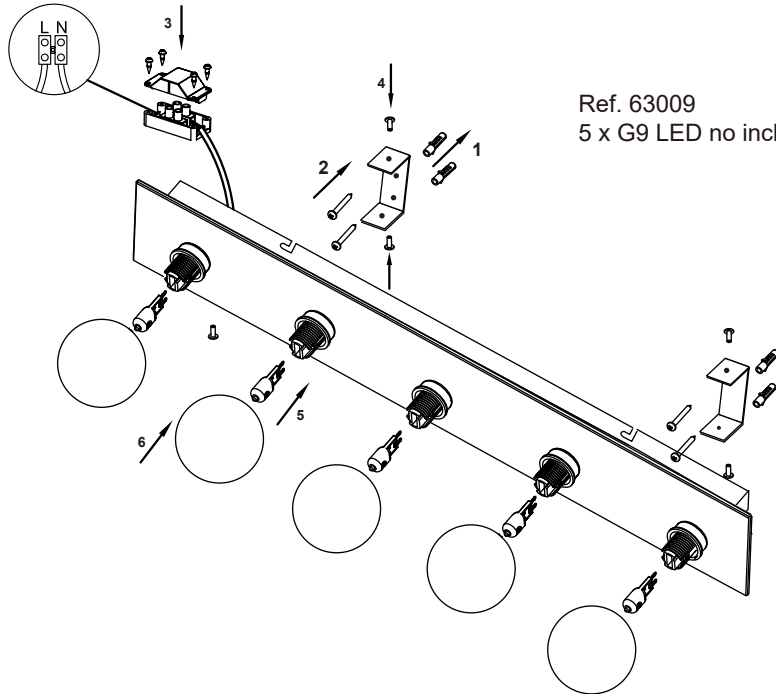
Ref. 63006
2 x G9 LED no incl



Ref. 63008
4 x G9 LED no incl



Ref. 63009
5 x G9 LED no incl



TECHNICAL FEATURES - CARACTERÍSTICAS TÉCNICAS

			IP44	220V-240V~50Hz/60Hz
--	--	--	-------------	---------------------

LOREFAR, SL • Dinámica, nº1 • Polígono Industrial Santa Rita • 08755 Castellbisbal • Barcelona • Spain
NACIONAL: Tel. 902 165 166 • EXPORT: Tel. +34 937 723 965 • faro@lorefar.com • www.faro.es

