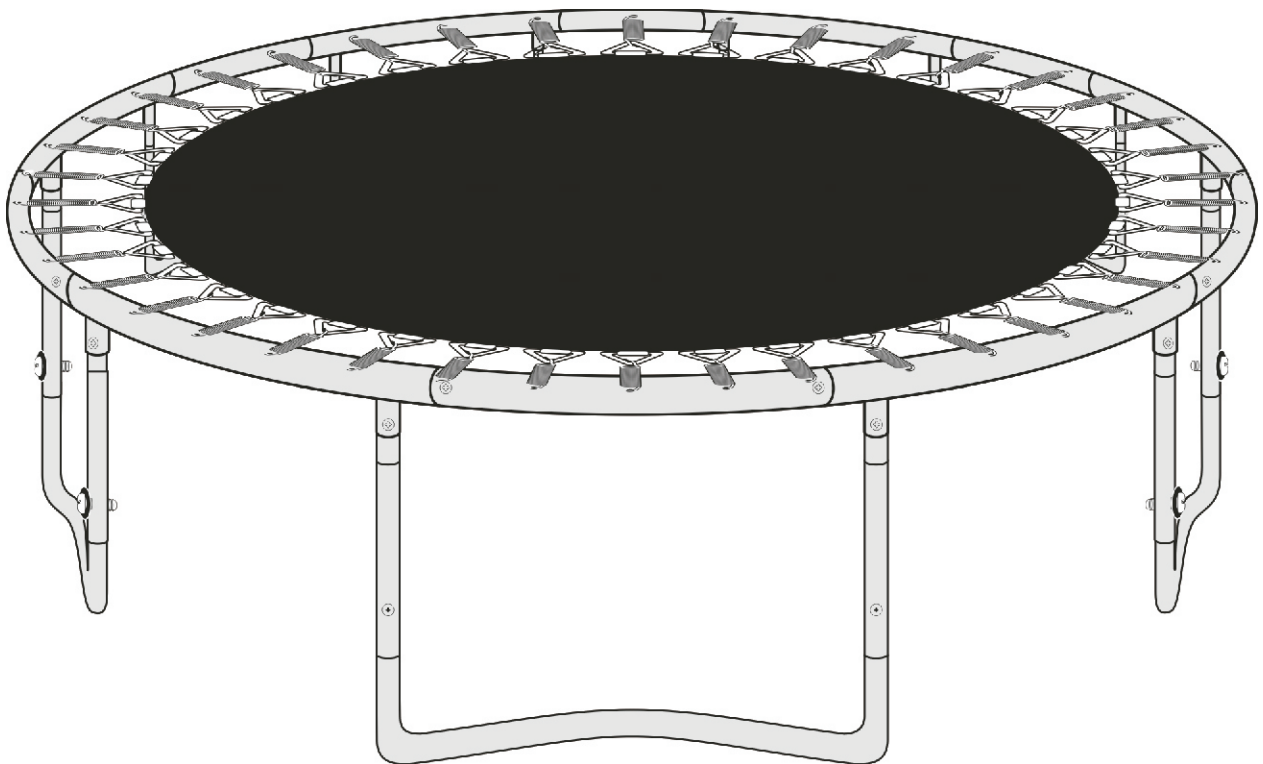




TRAMPOLINE MAT ASSEMBLY

USER MANUAL

Assembly, installation, care, maintenance and use instructions.



TYPES - ROUND / OVAL / SQUARE / RECTANGULAR

Manual Version #02

Upper Bounce[®] Inc. 2 Mill St. Cornwall NY 12518

1-888-965-3331 www.upperbounce.com support@upperbounce.com



USA

UK



Call us

1-888-965-3331

020-3150-0484



Email us

support@upperbounce.com

support@upperbounce.co.uk



Check out our website

www.upperbounce.com

THANK YOU FOR PURCHASING THE UPPER BOUNCE[®] TRAMPOLINE PART

Simply follow the assembly and safety instructions in this manual and you will soon be starting your **UPPER BOUNCE[®]** exercise program and be on your way to a happier, healthier lifestyle.

| | |
|--|--|
| MONDAY - THURSDAY 9:30 A.M. - 5:00 P.M. Eastern Time. | FRIDAY 9:00 A.M. - 12:00 P.M. Eastern Time. |
|--|--|

TABLE OF CONTENTS

| | Page |
|---|------|
| Measuring tips for Mat | 3-4 |
| Important Notice/How to use the spring pulling tool | 5 |
| Trampoline Mat Assembly | 6 |
| Spring Assembly Pattern (Round/Oval Type) | 7 |
| Spring Assembly Pattern and Mat Layout (Oval Type) | 8 |
| Spring Assembly Pattern (Rectangle and Square Type) | 9 |
| Trampoline Band Mat Assembly | 10 |
| Upper Bounce [®] Jumping Mat Models List | 11 |
| Replacement Parts List | 12 |

Thank you for choosing **Upper Bounce®** for your trampoline and trampoline replacement needs! When you select **Upper Bounce®**, you are choosing high quality trampolines, or replacement parts and accessories. At **Upper Bounce®** we think about "fun and safety" for the whole family!

Measuring Tips For Mat

The Upper Bounce® Jumping Mat you purchased is designed to fit your Trampoline model if the specifications of the Jumping Mat and your Trampoline are the same. The Model number of the Jumping Mat indicates the specifications your trampoline should have, such as: Frame and Spring size and Spring amount. (See list of Model Numbers on page 11). Before starting the installation process you will want to make sure that the mat is the right size to fit your frame perfectly and only then go ahead with the assembly.

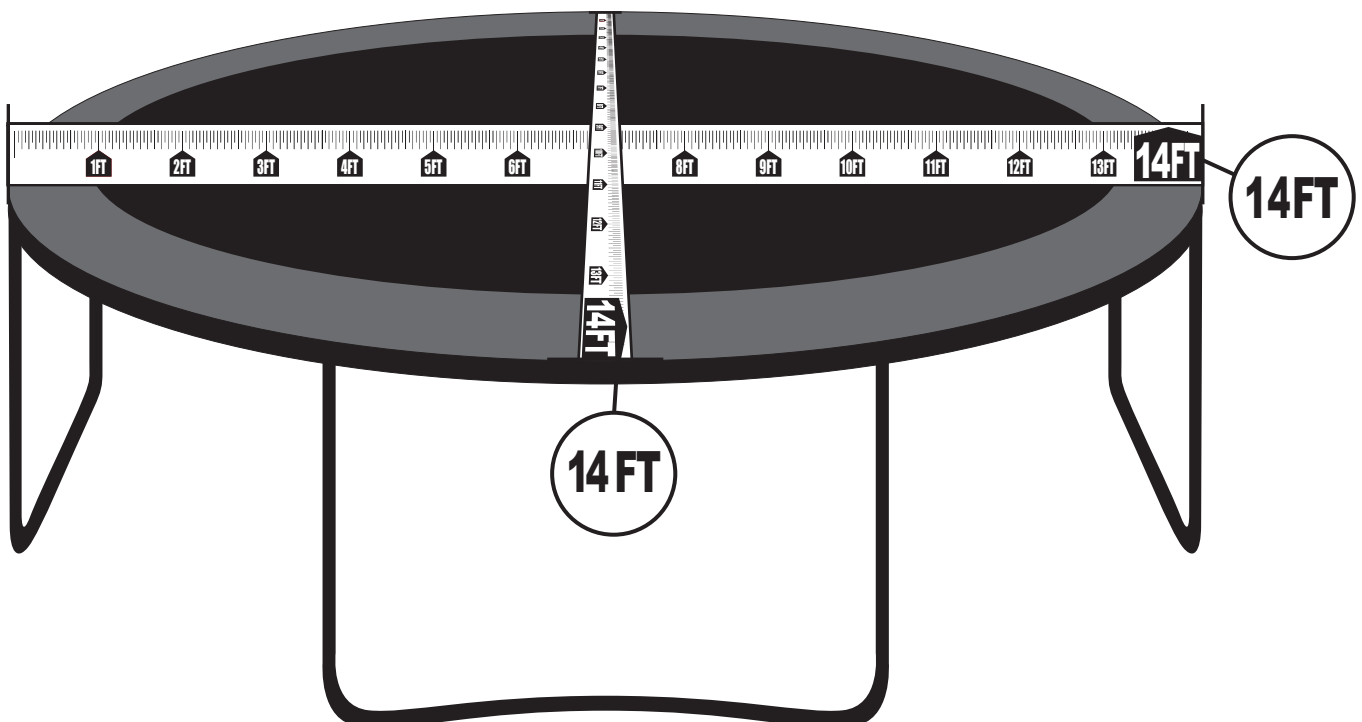
These are the steps to make sure you purchased the right Mat :

STEP

1

Measure the frame size

Measure your frame from one outside edge vertically and horizontally to the other outside edge so you get the correct measurements.



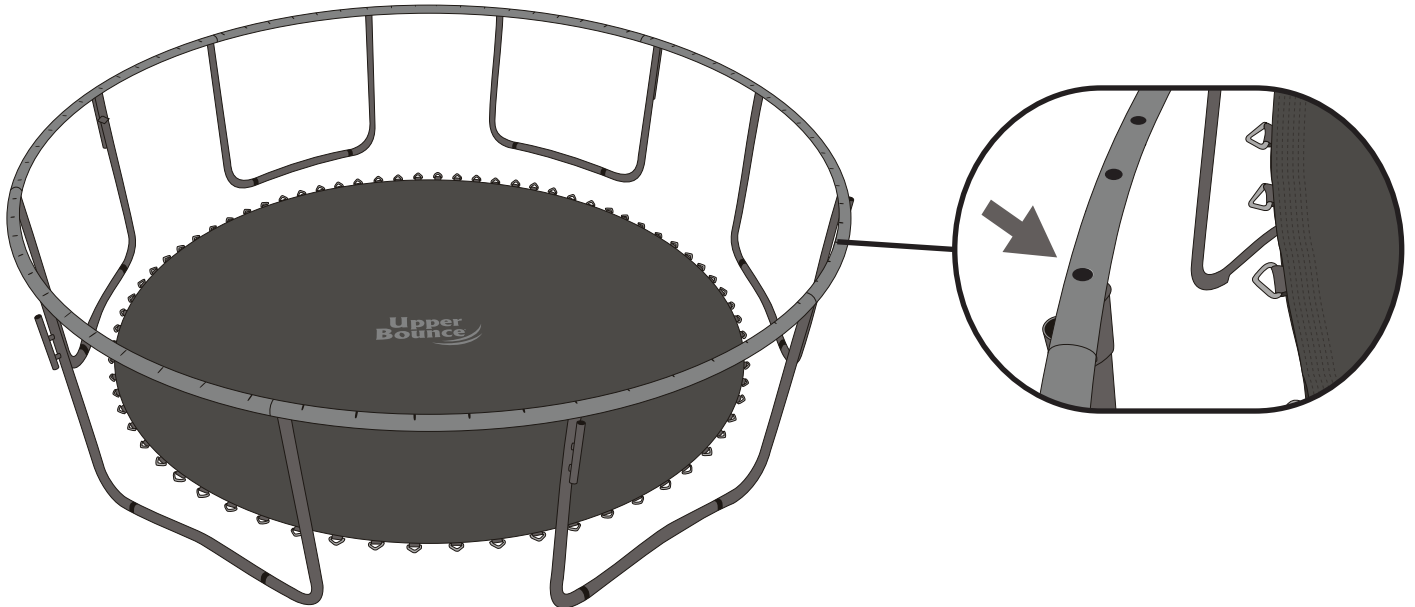
STEP

2

Know the amount of spring holes



Count the amount of spring holes on your trampoline frame.



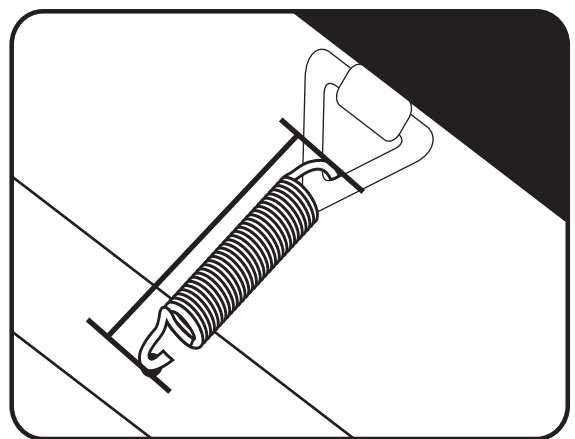
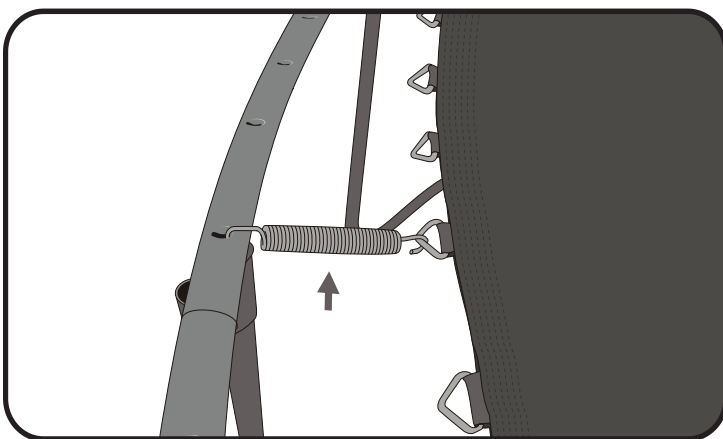
STEP

3

Know the size of the springs



Measure the spring size from hook to hook unstretched.



Based on the

1) Frame Size

2) Spring Amount

3) Spring Size

Determine if you bought the correct Jumping Mat

4

IMPORTANT NOTICE



WARNING!

1. Be careful where you place your hands during spring assembly as connector points can pinch!
2. We recommend at least 2 people participate in assembling the Jumping Mat.

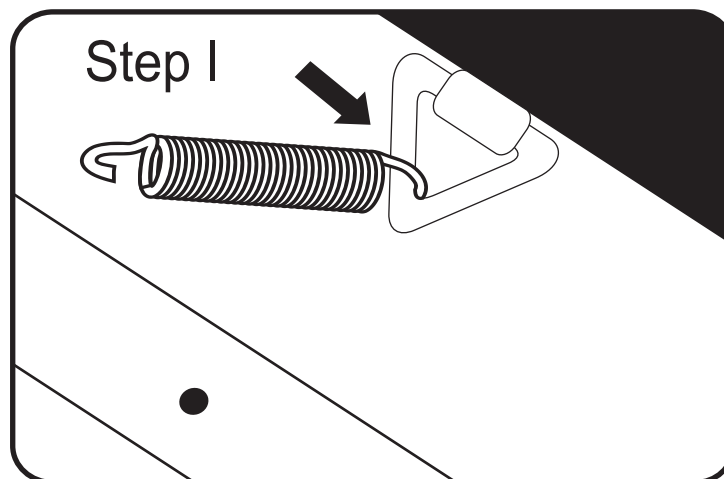
NOTE:

You will need to have a **Spring Tool** to help you install the springs for this mat to the frame (Not included in the purchase)

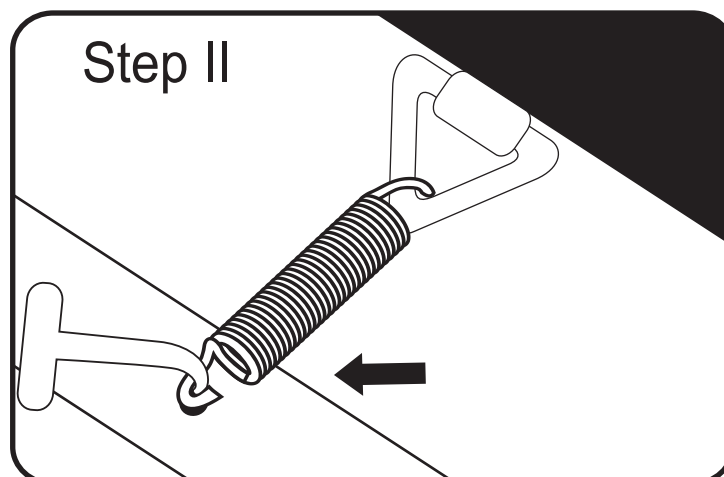
Our Spring Tool Model Name is: **UBHWD-TH**
To purchase this item, please visit our website www.upperbounce.com and search the above model #
or contact our Customer Service Department and ask for the above Model Number

How to use the spring pulling tool

Step I : Hook on one end of the spring to the mat's triangular hooks.



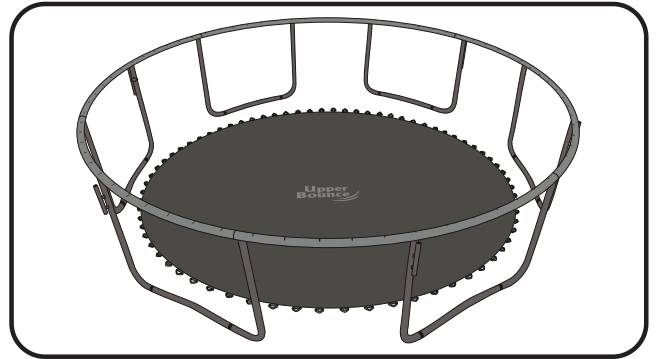
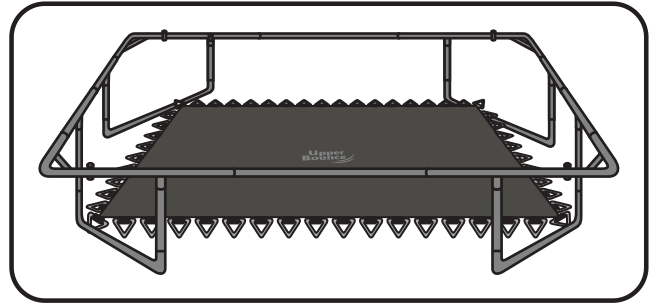
Step II : Extend tool and link up spring hook with eyelet on tool. Pull the handle of the tool in direction shown until spring hook links up with the frame.



TRAMPOLINE MAT ASSEMBLY

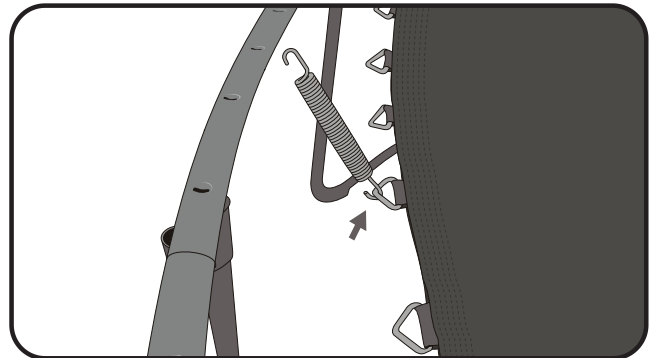
Step 1

With Stitching portion facing down lay jumping mat in center of the frame.



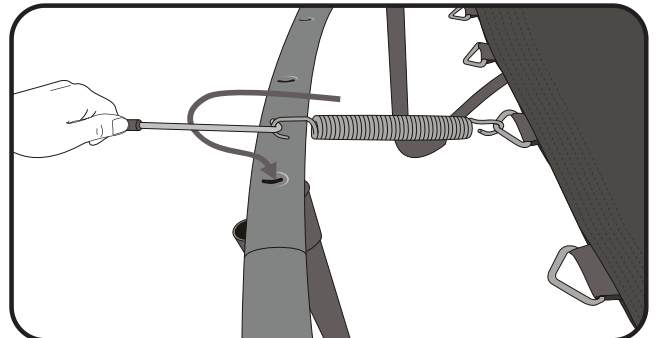
Step 2

Attach the more circular end of the spring into one of the triangular rings on the mat. (see page 4 more details)



Step 3

Then attach the other end of the spring to the frame. Follow the next page to complete the installation.



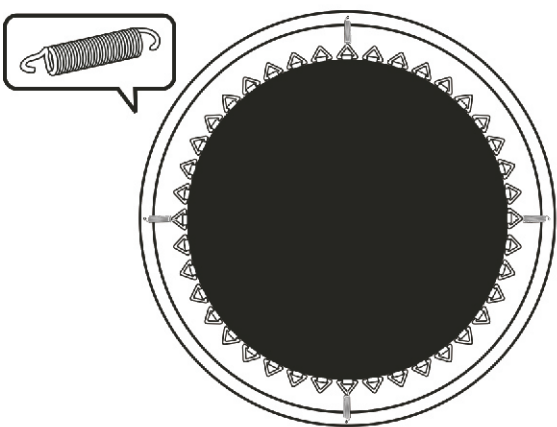
See below the Pattern of the springs assembly according to your frame style

SPRING ASSEMBLY PATTERN

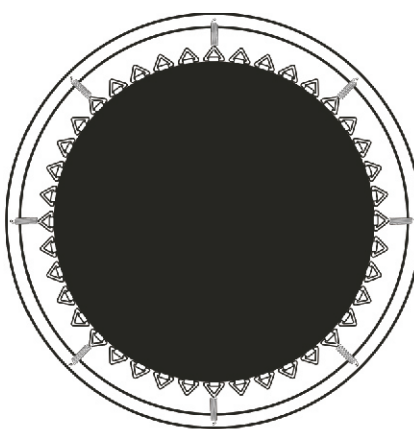
ROUND/OVAL

Note: Make sure that the difference of V rings from 1 spring to the other matches the amount of frame holes.

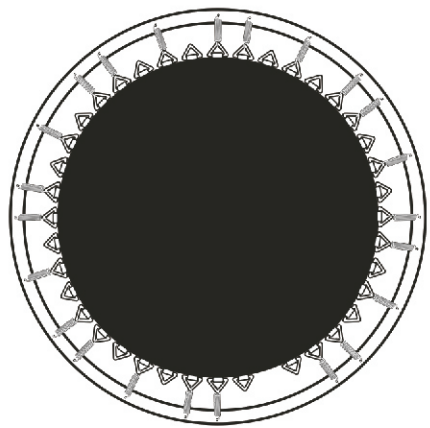
Step 1
First connect 4 springs 1/4 circle apart from each other.



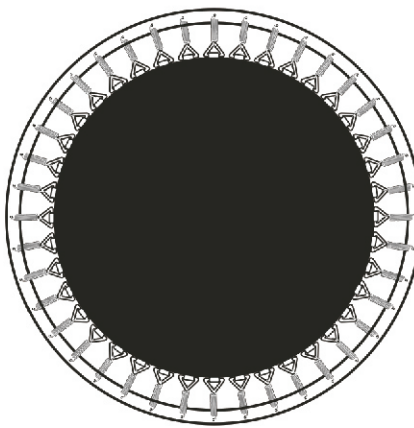
Step 2
Connect all middle springs as figure.



Step 3
Then continue, connecting every few springs.



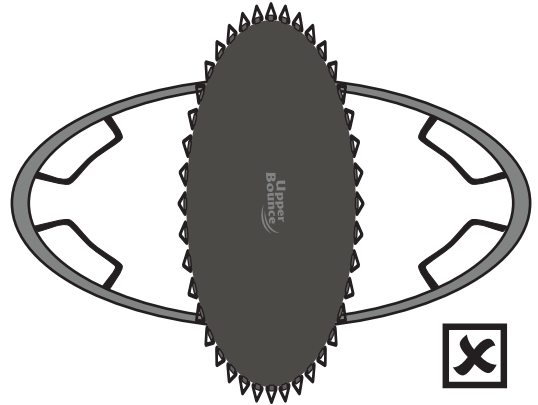
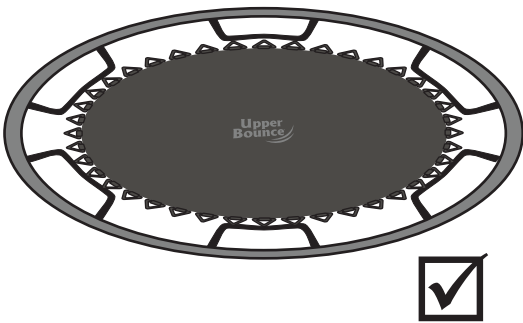
Step 4
Complete the rest of the springs.



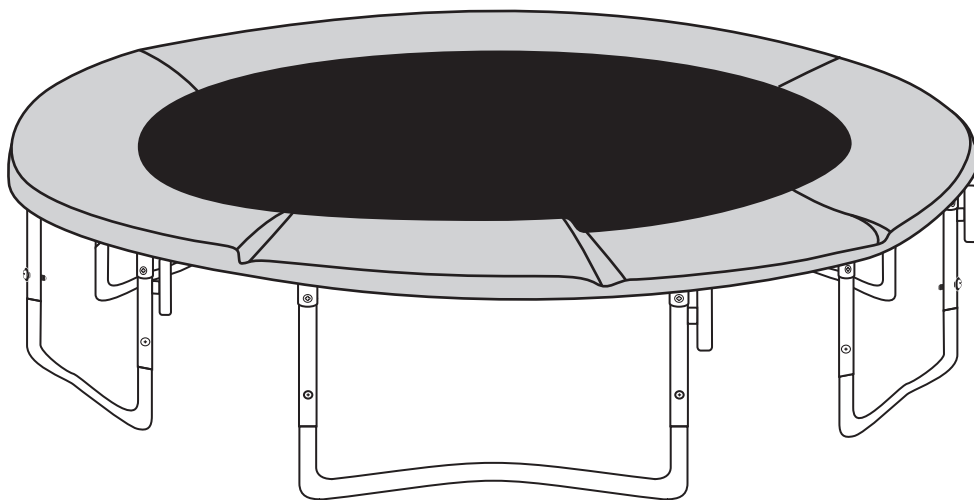
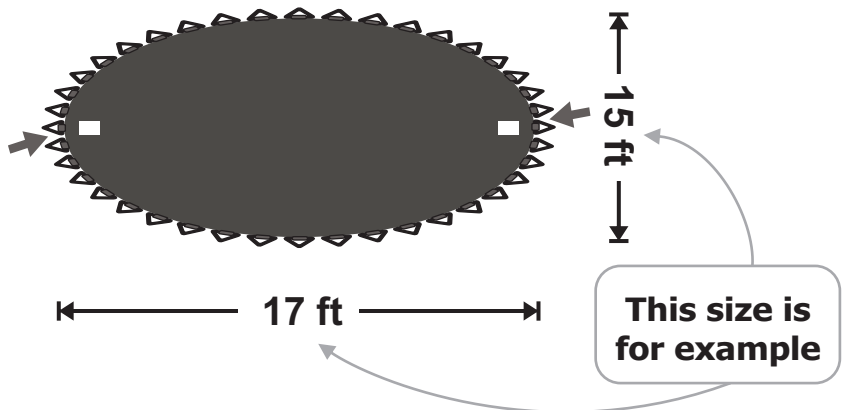
MAT LAYOUT

OVAL TYPE

Make sure to lay the oval/rectangular trampoline mat in the same direction as the oval/rectangular frame.



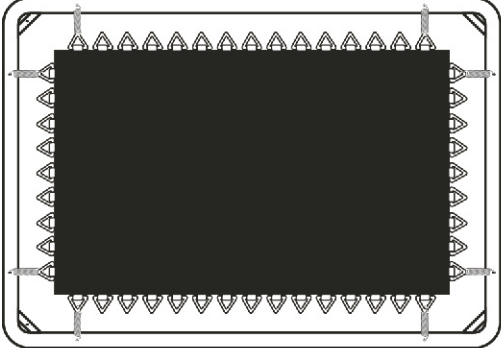
The Information Labels sewn onto the Mats Longer Angle are your indicators to organize mat on the longer side of the frame. See image.



SPRING ASSEMBLY PATTERN (RECTANGLE AND SQUARE TYPE)

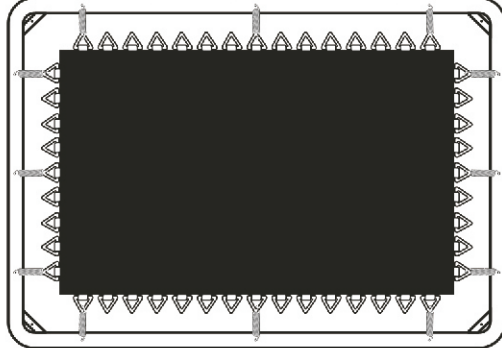
Note: Make sure the difference from 1 spring to the other should be the same as the holes of the frame.

Step 1
Lay the mat inside the trampoline.
Connect all corner springs.



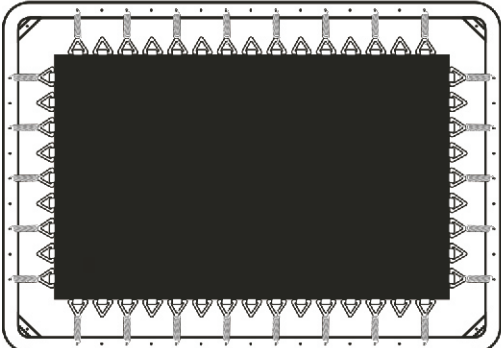
The diagram shows a rectangular trampoline mat (black) placed inside a square frame. The mat is positioned such that its corners align with the corner springs of the frame. The mat is not yet fully connected to the frame's springs.

Step 2
Connect all middle springs as figure.



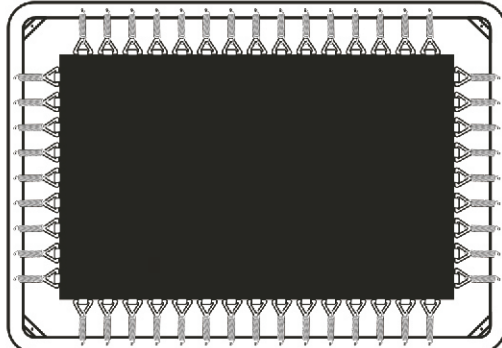
The diagram shows the mat now connected to the corner springs. The middle springs of the mat are being connected to the middle springs of the frame, forming a grid pattern.

Step 3
Then continue connecting every few springs.



The diagram shows the mat with more middle springs connected to the frame. The grid pattern is becoming denser as more springs are linked.

Step 4
Complete the rest of the springs.



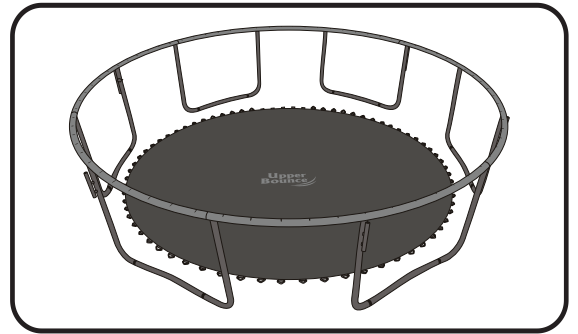
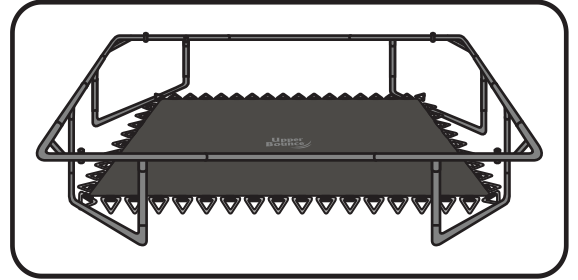
The diagram shows the final assembly where all the springs of the mat are connected to the frame, creating a complete grid.

TRAMPOLINE BAND MAT ASSEMBLY

BAND MAT

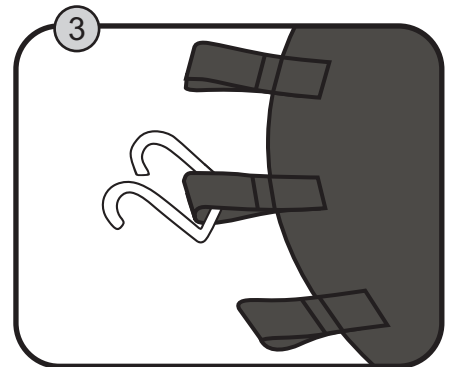
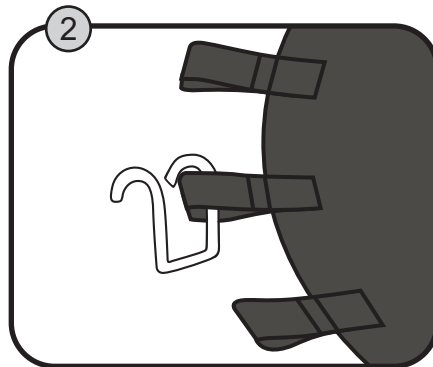
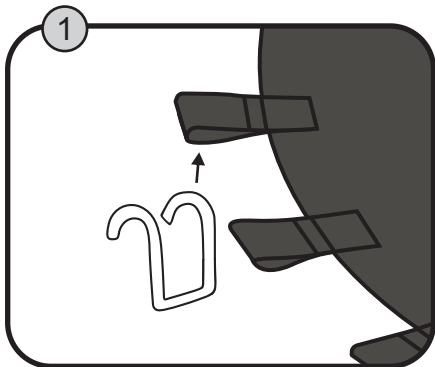
Step 1

With Stitching portion facing down lay jumping mat in center of the frame.



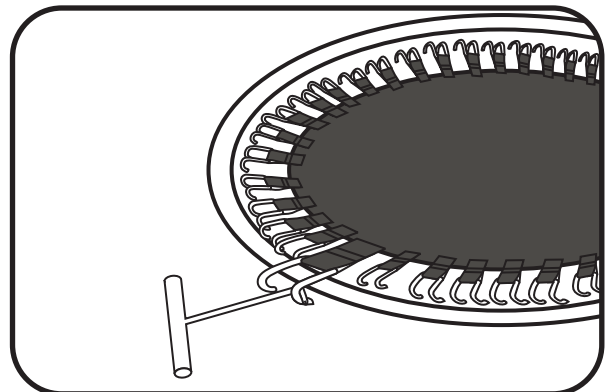
Step 2

Hook the galvanized hooks onto the trampoline mat edges, as shown in figure.



Step 3

Pull the Hooks with the T-hook until it reaches to the frame,



Upper Bounce® Jumping Mat Model List

The Model Numbers are indicators of the item details. The 1st set of numbers in the model number indicates the frame size. The 2nd set of numbers in the model number indicates the v-ring amount. The 3rd set of numbers in the model number indicates the spring size.

| Round Type | | | | | |
|---------------|------------------|----------------|----------------|-----------------|-----------------|
| Spring Amount | Size 7.5 | Size 8 | Size 9 | Size 10 | Size 11 |
| 40 | | UBMAT-8-40-5.5 | | | |
| 42 | UBMAT-7.5-42-5.5 | | | | |
| 48 | | UBMAT-8-48-5.5 | | | |
| 54 | | | UBMAT-9-54-5.5 | | |
| 56 | | UBMAT-8-56-5.5 | | UBMAT-10-56-5.5 | |
| 60 | | UBMAT-8-60-5.5 | | | UBMAT-11-60-5.5 |
| 64 | | | | UBMAT-10-64-5.5 | |
| 72 | | | | | UBMAT-11-72-5.5 |

| Spring Amount | Size 12 | Size 13 | Size 14 | Size 15 | Size 16 |
|---------------|------------------------------------|----------------------------------|----------------------------------|---|------------------|
| 60 | UBMAT-12-60-5.5 UBMAT-12-60-7 | | | | |
| 72 | UBMAT-12-72-5.5 UBMAT-12-72-7 | UBMAT-13-72-5.5 | UBMAT-14-72-5.5 UBMAT-14-72-7 | | |
| 80 | UBMAT-12-80-5.5 UBMAT-12-80-7 | UBMAT-13-80-5.5 UBMAT-13-80-7 | UBMAT-14-80-5.5 UBMAT-14-80-7 | | |
| 84 | UBMAT-12-84-5.5 UBMAT-12-84-6.5 | UBMAT-13-84-5.5 UBMAT-13-84-7 | UBMAT-14-84-7 UBMAT-14-84-8.5 | UBMAT-15-84-6.5 | |
| 88 | | UBMAT-13-88-7 | UBMAT-14-88-7 UBMAT-14-88-8.5 | | |
| 90 | | | | UBMAT-15-90-7 | |
| 96 | | | UBMAT-14-96-7 UBMAT-14-96-8.5 | UBMAT-15-96-7 UBMAT-15-96-8.5 UBMAT-15-96-6.5 | |
| 100 | | | | UBMAT-15-100-7 | |
| 108 | | | | | UBMAT-16-108-7.5 |

| OTHER TYPE | | | | | |
|-------------------|--------------------|------------------|------------------|--|--|
| Square Mat | UBMATSQ-13 | | | | |
| Oval Mats | UBMATO-1614-96-5.5 | UBMATO-1614-96-7 | UBMATO-1715-96-7 | | |
| Band Mats | UB-BMAT-1273 | UB-BMAT-1378 | UB-BMAT-1484 | | |

For more help on how to select the right replacement part see on our Buying Guide at www.upperbounce.com/buyingguide

REPLACEMENT PARTS LIST

If you need to replace any part of your trampoline,
you can look for the Upper Bounce parts list below for each item model name :

| | | Size 7.5 | Size 8 | Size 10 | Size 11 | Size 12 | Size 13 | Size 14 | Size 15 | Size 16 |
|------------|--------------------|---------------|-------------|--------------|------------------|---------------|--------------|---------------|---------------|--------------|
| Pad | Blue: | UBPAD-S-7.5-B | UBPAD-S-8-B | UBPAD-S-10-B | | UBPAD-S-12-B | UBPAD-S-13-B | UBPAD-S-14-B | UBPAD-S-15-B | UBPAD-S-16-B |
| | Green: | | | | | UBPAD-S-12-G | | UBPAD-S-14-G | UBPAD-S-15-G | |
| | Blue and Green: | | | | | UBPAD-S-12-BG | | UBPAD-S-14-BG | UBPAD-S-15-BG | |
| | Premièr Blue: | | | | | UBPAD-P-12-B | | UBPAD-P-14-B | UBPAD-P-15-B | |
| | Safety Pads Square | UBPADSQ-13 | | | Safety Pads Oval | UBPADO-1614 | UBPADO-1715 | | | |

| Net | Size 7.5 | Size 8 | Size 10 | Size 11 | Size 12 | Size 13 | Size 14 | Size 15 | Size 16 |
|-------------------------|----------------|------------------------------|---|---------|---|--------------------------------|---|--------------------------------|---------------|
| Strap Type Net (Inside) | UBNET-7.5-6-IS | UBNET-8-6-IS UBNET-8-4-IS | UBNET-10-4-IS UBNET-10-6-IS UBNET-10-8-IS | | UBNET-12-8-IS UBNET-12-4-IS UBNET-12-6-IS | UBNET-13-6-IS UBNET-13-8-IS | UBNET-14-4-IS UBNET-14-6-IS UBNET-14-8-IS | UBNET-15-6-IS UBNET-15-8-IS | UBNET-16-6-IS |
| Net (Outside) | UBNET-7.5-6-OS | | UBNET-10-8-OS | | UBNET-12-4-OS UBNET-12-6-OS | UBNET-13-6-OS UBNET-13-8-OS | UBNET-14-6-OS UBNET-14-8-OS | UBNET-15-6-OS UBNET-15-8-OS | |

| | | | | | | | | | |
|-----------------------------|---------------|---------------|--|----------------|--|---|----------------------------------|---|--------------|
| Sleeves on Top - Net (Arch) | UBNET-6-3-AST | UBNET-7-3-AST | | UBNET-11-3-AST | UBNET-12-2-AST UBNET-12-3-AST UBNET-12-4-AST | UBNET-13-2-ASTR UBNET-13-3-AST UBNET-13-4-AST | UBNET-14-3-AST UBNET-14-4-AST | UBNET-15-3-AST UBNET-15-4-AST | |
| For Curved Poles | | UBNET-8FG-6 | | UBNET-11FG-6 | UBNET-12FG-4 UBNET-12FG-6 | UBNET-13FG-6 | UBNET-14FG-4 UBNET-14FG-6 | UBNET-15FG-5 UBNET-15FGB-5 UBNET-15FG-6 UBNET-15FG-8 | UBNET-17FG-8 |

| | |
|-------------------|----------------|
| Arch Net - Square | UBNETSQ-1313-4 |
|-------------------|----------------|

| | |
|----------|----------------------------|
| Oval Net | UBNETO-1614 UBNETO-1715 |
|----------|----------------------------|

| | |
|--------------------|----------------------|
| Universal Net Type | UBNET-U1 UBNET-U2 |
|--------------------|----------------------|

| Foam Sleeves | 1 inch diameter | 1.5 inch diameter | 1.75 inch diameter |
|----------------------|--|--|--|
| Foam Sleeves - Blue | UBFS33-1D-B-S12 UBFS33-1D-B-S16 UBFS37-1D-B-S12 UBFS37-1D-B-S16 | UBFS44-1.5D-B-S12 UBFS44-1.5D-B-S16 UBFS33-1.5D-B-S12 UBFS33-1.5D-B-S16 | UBFS44-1.75D-B-8 UBFS44-1.75D-B-12 UBFS44-1.75D-B-16 |
| Foam Sleeves - Black | UBFS33-1D-BK-S12 UBFS33-1D-BK-S16 UBFS37-1D-BK-S12 UBFS37-1D-BK-S16 | UBFS44-1.5D-BK-S12 UBFS44-1.5D-BK-S16 UBFS33-1.5D-BK-S12 UBFS33-1.5D-BK-S16 | |

| Weather Cover | Black : | UBWC-7.5 | UBWC-8 | UBWC-10 | UBWC-11 | UBWC-12-BK | UBWC-13 | UBWC-14-BL | UBWC-15-BL | UBWC-16 |
|---------------|---------|----------|--------|---------|---------|------------|---------|------------|------------|---------|
| | Blue : | | | | | UBWC-12-BL | | UBWC-14-BK | UBWC-15-BK | |

| | | | | | | |
|----------------|-----------------|---------------|-----------------|---------------|-----------------|---------------|
| Springs | UBHWD-SP-3.5-15 | UBHWD-SP-4-15 | UBHWD-SP-4.5-15 | UBHWD-SP-5-15 | UBHWD-SP-5.5-15 | UBHWD-SP-6-15 |
| | UBHWD-SP-6.5-15 | UBHWD-SP-7-15 | UBHWD-SP-7.5-15 | UBHWD-SP-8-15 | UBHWD-SP-8.5-15 | UBHWD-SP-9-15 |

Other Accessories :

| | |
|---|-------------------|
| Trampoline Spring Pull Tool (T-Hook) | UBHWD-TH |
| Deep Fastening Spiraled Anchor Kit - Set Of 4 | UBHWD-AKB-4 |
| Trampoline Anchor Kit (Set of 4) | UBHWD-AK-4 |
| Ladder | UBL3S-42-G |
| Ladder with Flat Steps | UBLBFS3-42 |
| Trampoline Shoe Bag | UBSHB-3 |
| Upper bounce [®] Trampoline Jumping Skate | UB-TJB |
| 42" Trampoline Ladder 3 Steps Foldable - Green | UBLGFS3-42 |
| Trampoline Pole Cap Enclosure Net Hook Fits for 1" Diameter Pole | UBPC-B-1D |
| Trampoline Pole Cover Fits for 1" Diameter Pole | UBPC-B-OS |
| 4 Trampoline Pole Cap Enclosure Net Hook Fits for 1.5" Diameter Pole | UBPC-B-1.5D |
| Enclosure G shaped Pole Caps to use for Fiber Glass or Metal Rings on Top of Trampoline - Set of 8 | UBPC-FG-8 |
| Universal Metal Clips for Trampoline Band Jumping Mat (Set of 10) | UBHWD-BC10 |
| Universal Replacement Rubber Cap Tips for Mini Trampoline Legs - Set of 6 | CAPSRC-6 |
| Universal Replacement Legs for Mini Trampolines and Rebounders - Set of 6 | UBRP-LEGSML-6 |
| Universal Replacement Elastic Bungee Cords for Bungee Trampoline Jumping Mats - Set of 10 | UBRP-Cord-JMRC-10 |

To register your product go to www.upperbounce.com/register

While we provide a large variety of trampolines, we also pride ourselves in the large selection of our trampoline replacement parts which are compatible with most trampolines regardless of their brand.

We never forget our goal... **Get the Upper Bounce!**

If you have difficulty finding the correct replacement part for your trampoline, **Please give us a call : 1-888-965-3331 or email : support@upperbounce.com** Our Customer Service Department staff are trained in the details of all trampolines and will help you find the right part to get you bouncing again.