



Description

- Single lever handle lead-free pull-down spray kitchen faucet
- Brushed nickel finish
- All brass construction with lead-free waterways
- Wear-resistant ceramic disc cartridge
- Suitable for single, two, three, or four-hole installations
- Includes optional solid and on-deck soap dispenser deck plates
- 1/2" IPS connections

Performance

- Designed to provide 2.2 GPM at 60 PSI

Compliance

- Designed to comply with requirements of ASME A112.18.1
- Meets or exceeds ASSE 1016 performance standards
- Meets or exceeds CSA B125
- Meets lead-free requirements of NSF 372
- Meets lead-free requirements of California Health & Safety Code 116875
- Complies with toxicity requirements of NSF 61-9 and CA Proposition 65
- Complies with ADA (Americans with Disabilities Act)

Listings

- IAPMO (International Association of Plumbing & Mechanical Officials)
- cUPC (Uniform Plumbing Code & Canadian Uniform Plumbing Code)
- CSA-US (Canadian Standards Association-US)
- IAPMO Certified Lead-Free
- NSF Certified to 61-9 (National Sanitation Foundation)

Warranty

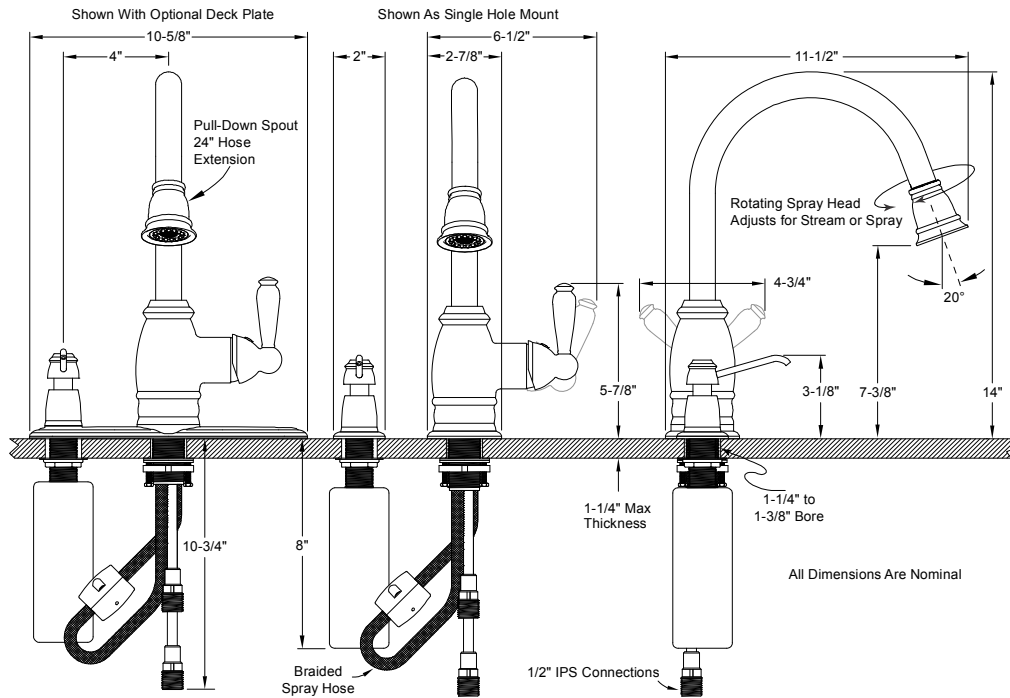
- Limited Lifetime Warranty
Refer to Premier Faucet warranty program for further details and restrictions.

SONOMA™



Model 120111LF

Single Lever Handle Pull-Down
Kitchen Faucet
Brushed Nickel Finish
Includes On-Deck Soap Dispenser
1/2" IPS Connections



For additional information, contact Premier Faucet at 866-745-4010 or visit our website at www.premierfaucet.com.

