

## Brown PU Coating Sofa Bed

### ASSEMBLY INSTRUCTION



# Assembly Instruction

**ASSEMBLY TIPS:**

1. Remove hardware from box and sort by size.
2. Please check to see that all hardware and parts are present prior start of assembly.
3. Please follow attached instructions in the same sequence as numbered to assure fast & easy assembly.


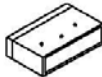
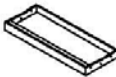











**Warning !**

1. Don't attempt to repair or modify parts that are broken or defective. Please contact the store immediately.
2. This product is for home use only and not intended for commercial establishment.

**PARTS IDENTIFICATION:**

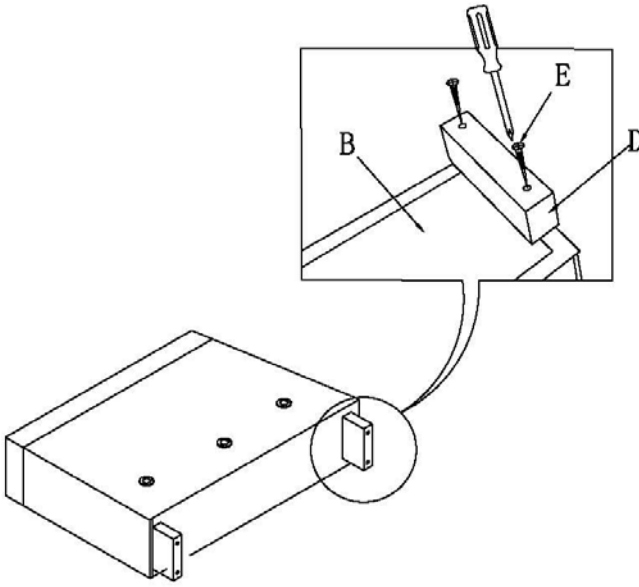
**HARDWARE PACKAGE:**

- A. Seater  1PC
- B. Arm  2PCS
- C. Storage  1PC
- D. Wood leg  4PCS

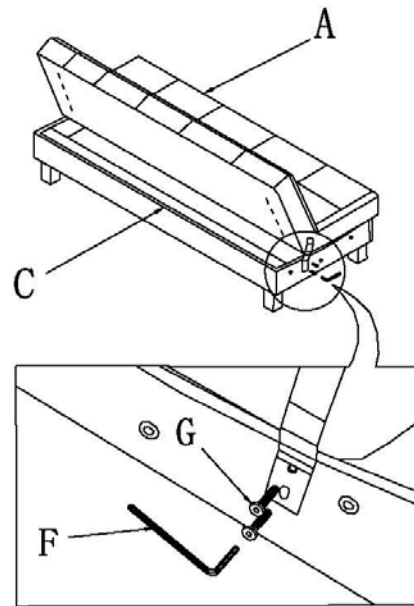
NO	DESCRIPTION	FIGURE	QTY
E	Screw (M3*50mm)		8PCS
F	Allen key (M6)		1PC
G	Bolt (M8*30mm)		4PCS
H	Threaded rod (M8*85mm)		6PCS
I	Wrench		1PC
J	Hexagonal nut (M8)		6PCS
K	Flat washer (M8)		6PCS
L	Spring washer (M8)		6PCS

# ASSEMBLY INSTRUCTION

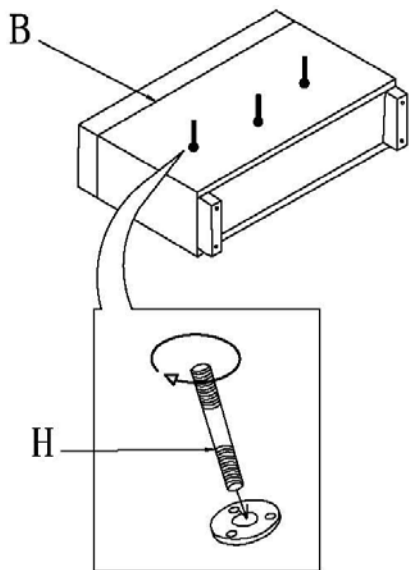
STEP:1



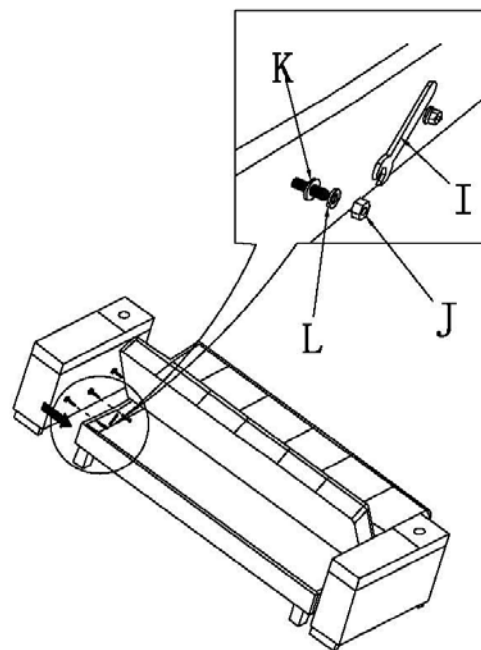
STEP:2



STEP:3

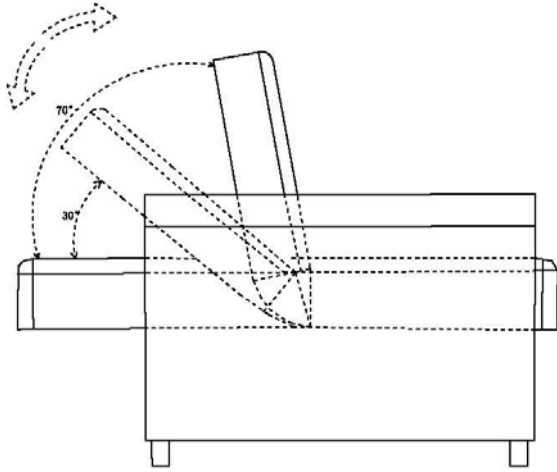


STEP:4

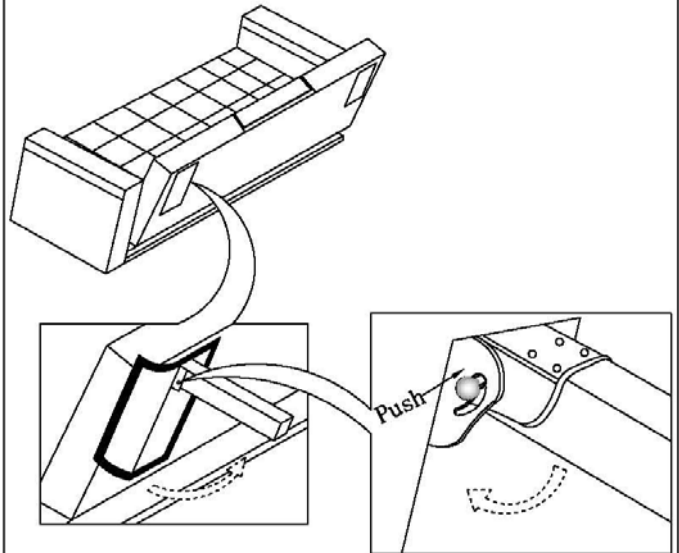


# ASSEMBLY INSTRUCTION

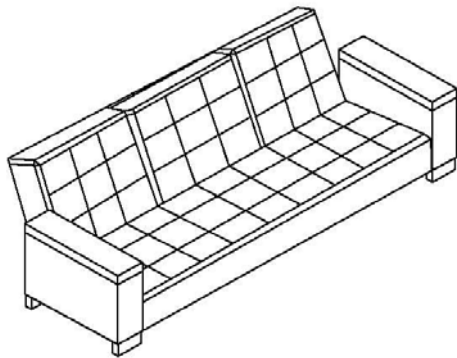
STEP:5



STEP:6



STEP:7



STEP:FULL

