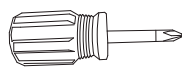
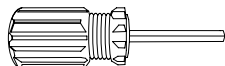


#### Component List



**A** - Phillips Screwdriver  
x 1



**B** - 4mm Hex Drivers  
x 2



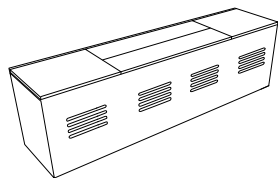
**C** - Hollow Bolt Wrench  
x 1



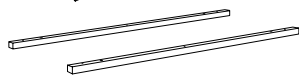
**D** - Hollow Bolts x 4  
Pre-installed on  
**Metal Legs (H)**



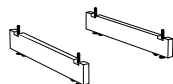
**E** - 1/4"-20 x 2"  
Machine Screws  
x 10



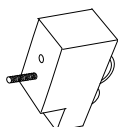
**F** - Assembled Cabinet  
x 1



**G** - Metal Rail x 2



**H** - Metal Leg x 2



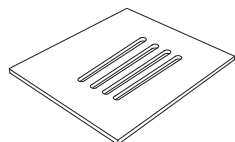
**I** - Wood Leg x 1



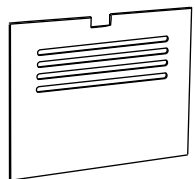
**J** - M4 x 25mm Screws  
x 8



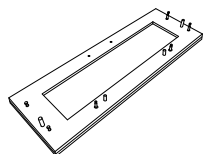
**K** - Handles x 4



**L** - Adjustable Shelf  
x 2



**M** - Back Panel x 2



**I** - Speaker Drawer  
Panel  
x 1

Your Avion® Noir Home Theater Furniture is engineered for easy assembly. Carefully follow this procedure to prevent any damage.

#### Placement and Maintenance

Avion® Noir Home Theater Furniture is designed for indoor use on level floors. Clean glass with glass cleaner, and steel parts and wood veneer with a moist cloth.

#### Step 1

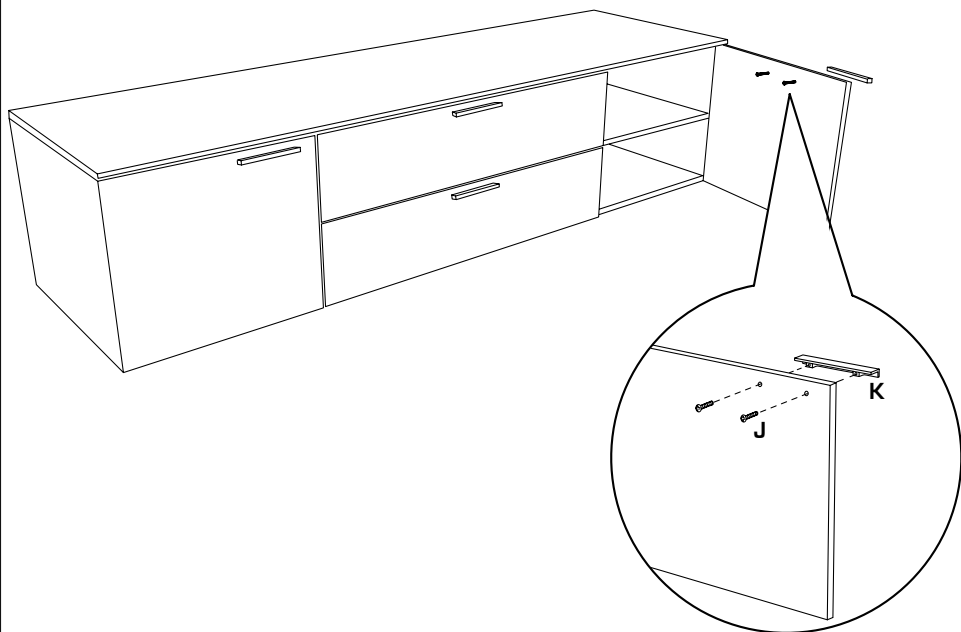
##### Unpack and Identify

Unpack and identify the components at left. Note that some components are shipped inside the cabinet. The assembly workspace should be a non-marring surface such as carpet. For missing hardware pieces, please contact BDI Customer Service at customerservice@bdiusa.com. For all other concerns, please contact your BDI Retailer.

#### Step 2

##### Install Handles

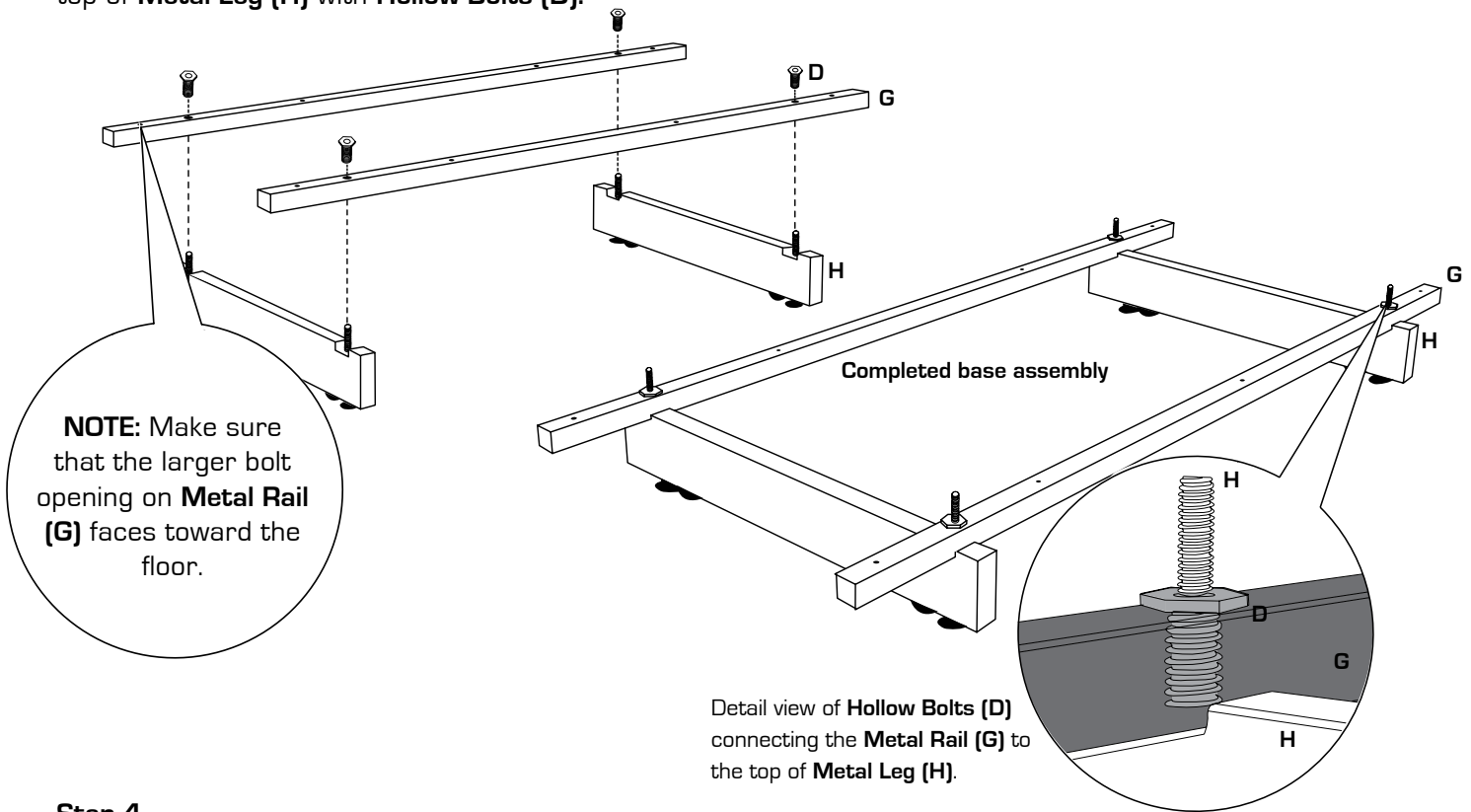
Install **Handles (K)** on the doors and drawers using the **M4 x 25mm Screws (J)** and the **Phillips Screwdriver (A)** supplied.



### Step 3

#### Build Base Assembly

Using the **Hollow Bolt Wrench (C)**, remove the four (4) pre-installed **Hollow Bolts (D)** from **Metal Leg (H)**. screw the **Metal Rail (G)** to the top of **Metal Leg (H)** with **Hollow Bolts (D)**.

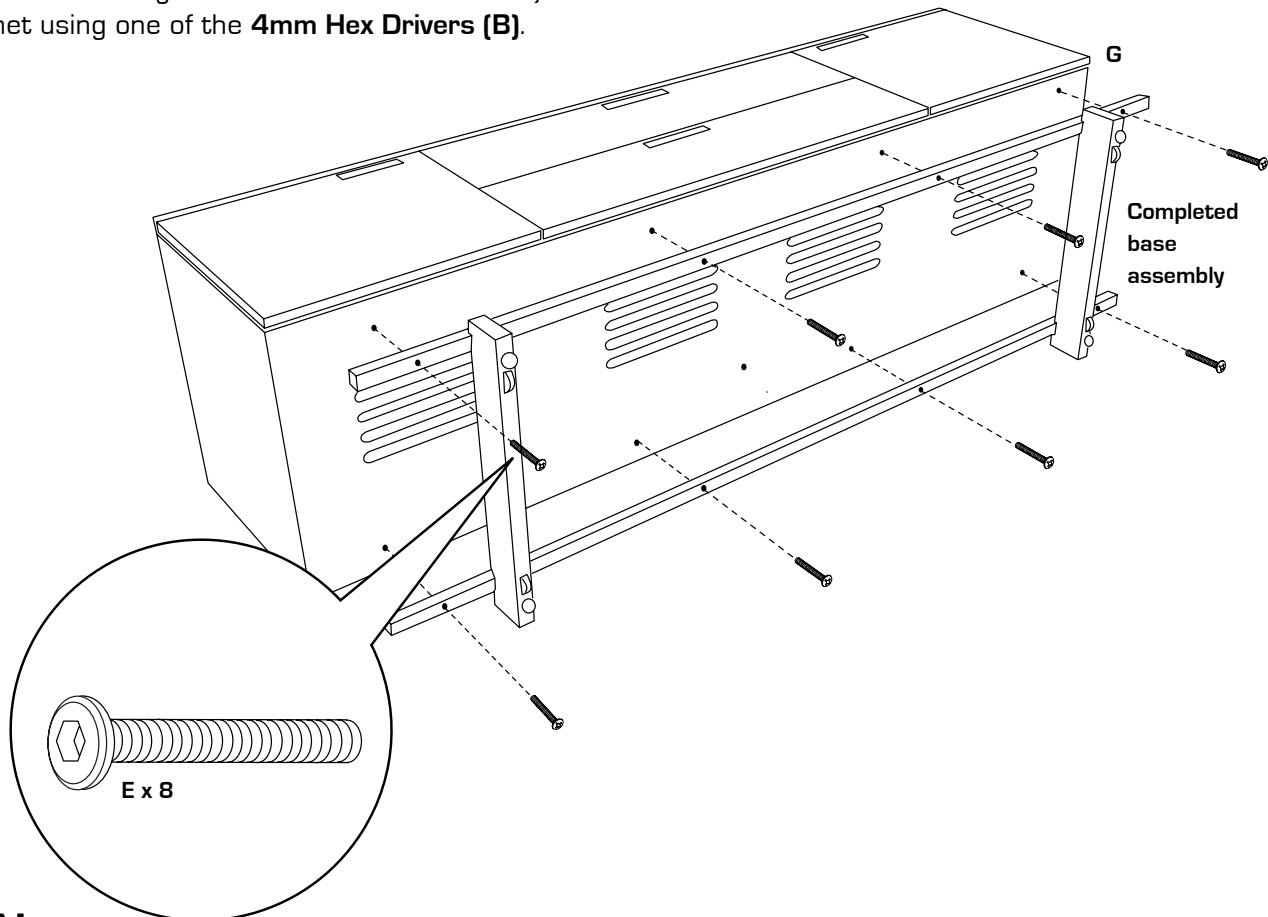


### Step 4

#### Fasten Base Frame to Assembled Cabinet

Carefully lay **Assembled Cabinet (F)** back-side down. Using one of **4mm Hex Drivers (B)**, attach the completed base assembly to the bottom of the **Assembled Cabinet (F)** with **1/4"-20 x 2" Machine Screws (E)**.

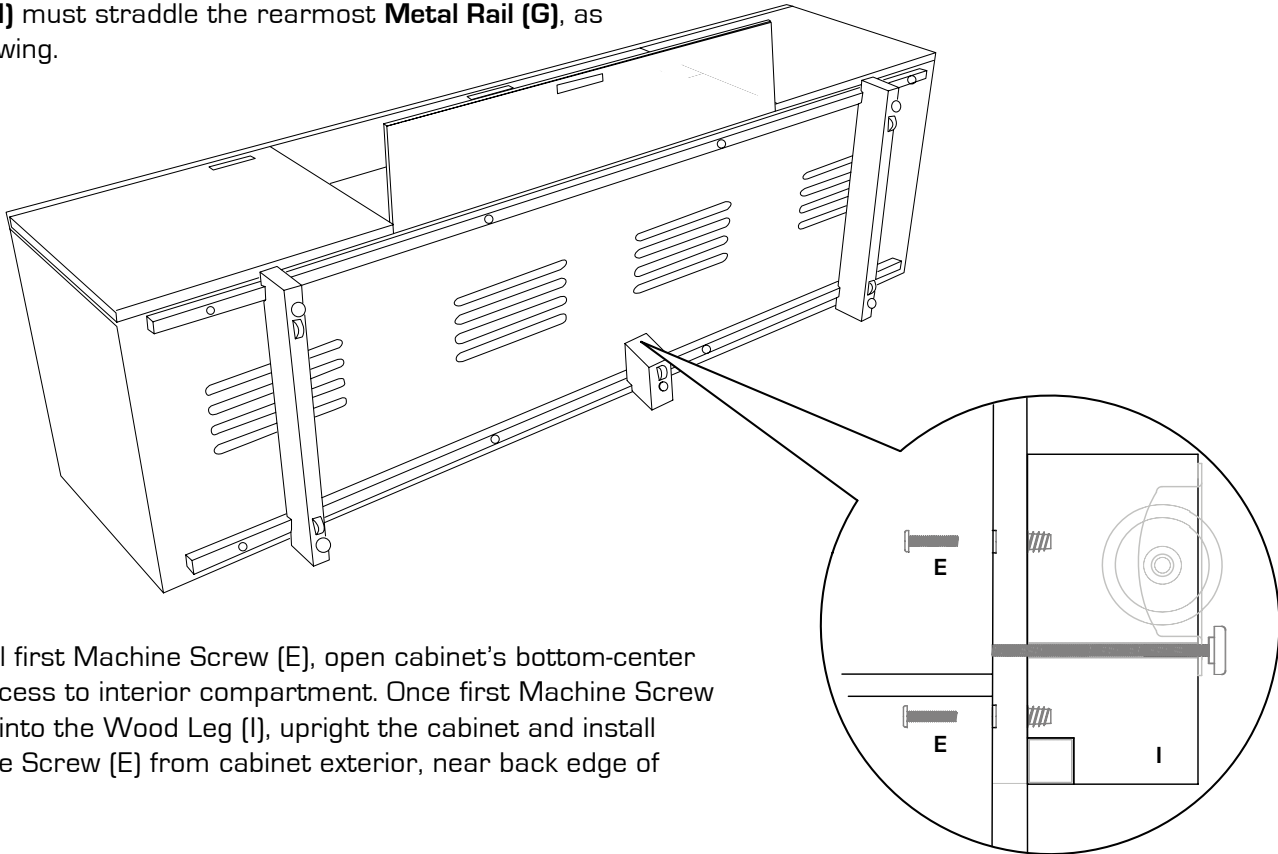
\*Note: Each of the metal legs has levelers that can be adjusted from inside the cabinet using one of the **4mm Hex Drivers (B)**.



### Step 5

#### Install Wood Leg

Install **Wood Leg (I)** at rear-center edge of cabinet bottom using two (2) **1/4"-20 x 2" Machine Screws (E)** and one of **4mm Hex Drivers (B)**. **Wood Leg (I)** must straddle the rearmost **Metal Rail (G)**, as indicated in drawing.



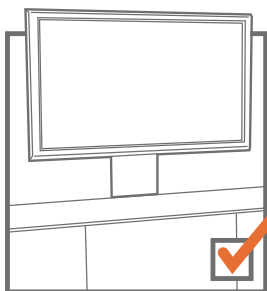
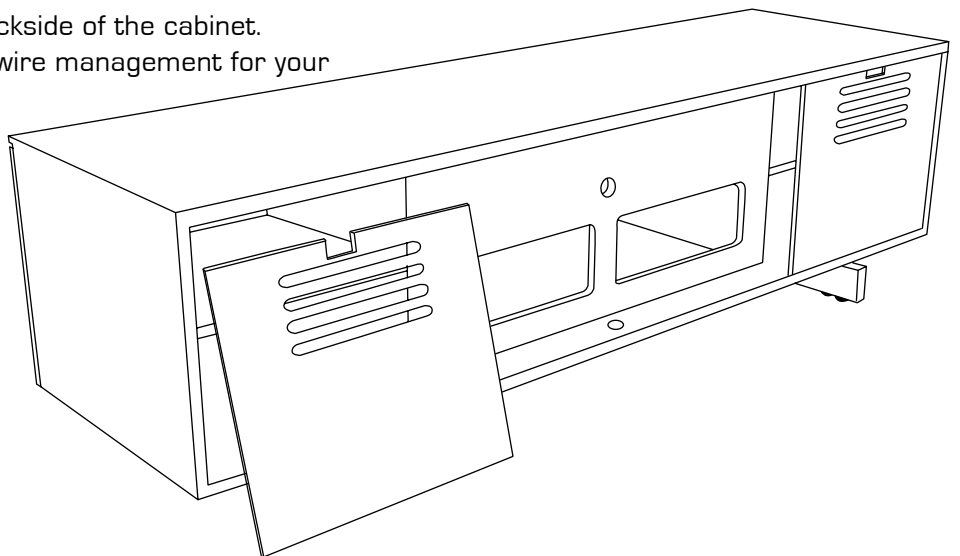
**NOTE:** To install first Machine Screw (E), open cabinet's bottom-center door to gain access to interior compartment. Once first Machine Screw (E) is threaded into the Wood Leg (I), upright the cabinet and install second Machine Screw (E) from cabinet exterior, near back edge of cabinet.

### Step 6

#### Install Back Panel

Install both **Back Panels (M)** to the backside of the cabinet.

\*Note: Velcro straps are included as wire management for your convenience.



#### Optional Flat Panel TV Mount

This BDI cabinet is compatible with **BDI's Flat-Panel TV Mount #9970 (sold separately)**, with the following features:

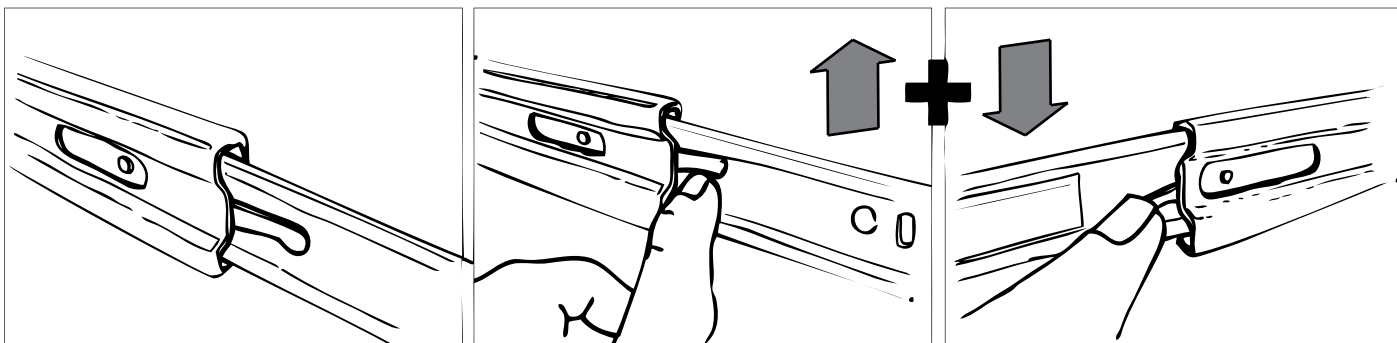
- attaches easily to the back of the cabinet
- accommodates most TVs up to 60"
- swivel allows for rotating for optimal viewing
- allows adjustable TV mounting height
- accepts and route cables to and from the TV

For more information, visit [www.bdiusa.com](http://www.bdiusa.com)

## Step 7

### Center channel speaker option A.

If you decide to use your top/center drawer area for a center channel speaker, the drawer may be easily removed. In order to do this, follow the steps below.



Fully extend drawer and locate plastic lever on drawer slide.

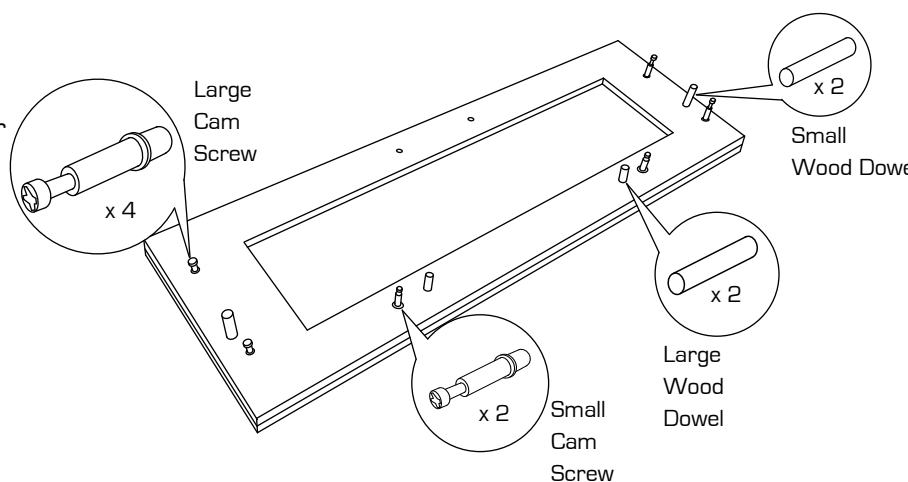
**Simultaneously** on the LEFT side of drawer, lift UP on plastic lever AND on the RIGHT side of drawer, push DOWN on plastic lever and pull STRAIGHT OUT the entire drawer assembly. Remove drawer slides from interior side panels using a Phillips screwdriver.

## Step 8

### Center channel speaker option B

If you decide to use your top/center drawer area for a center channel speaker, the glass drawer face may be replaced with **Speaker Drawer Face (I)**. In order to do this, follow the steps below.

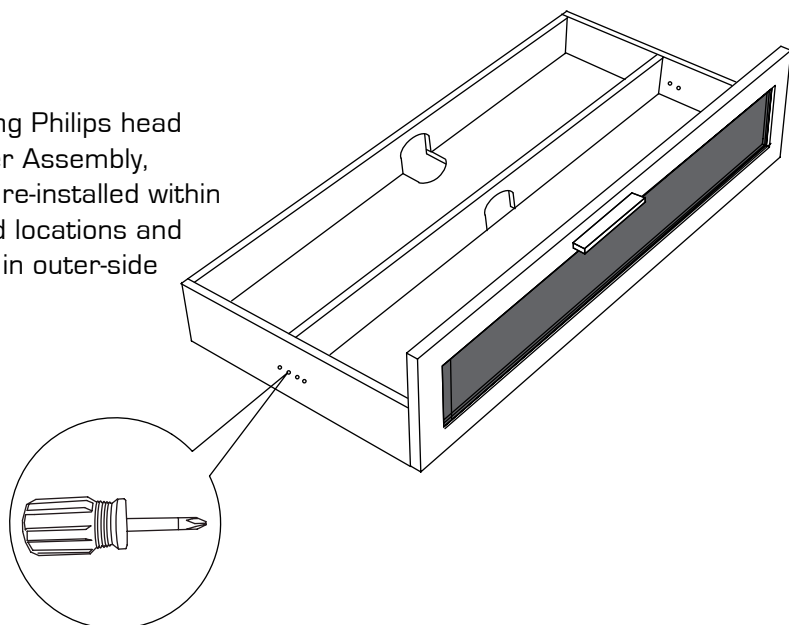
1. Pull out drawer and locate all exposed Cam inserts. Cam inserts are located inside drawer and bottom side of drawer shelf.
2. Remove glass drawer face from drawer assembly by turning all Cam inserts (counter clock-wise) using a Phillips screwdriver.
3. Switch all previously removed hardware over to back side of speaker panel.
4. Install speaker panel to drawer assembly and tighten Cam inserts.



## Step 9

### Option: Removing Center Drawer Divider

Remove Center Drawer Divider by loosening & removing Phillips head screw fasteners, installed on outer-side walls of Drawer Assembly, using provided **Phillips Screwdriver (A)**. Divider can be re-installed within the Drawer by positioning at one of the pre-determined locations and threading Philips screws through corresponding holes in outer-side walls and into Divider with **Phillips Screwdriver (A)**.



Thank you for choosing BDI.

Your BDI home theater cabinet is engineered to include a range of adjustments. Please read and retain this guide so that you can fully enjoy the look and use of your cabinet for years to come.

Unless manual leveling is required or you wish to prevent the cabinet from rolling, you may prefer to keep the cabinet's levelers up and off the floor. This allows easier cabinet movement for greater access to rear panels and wire-management, and permits easier cleaning/vacuumping underneath the cabinet.

By following the steps in this guide, you can be sure that your BDI cabinet is in optimum tune and adjustment. If you need additional assistance, contact BDI at [customerservice@bdiusa.com](mailto:customerservice@bdiusa.com).

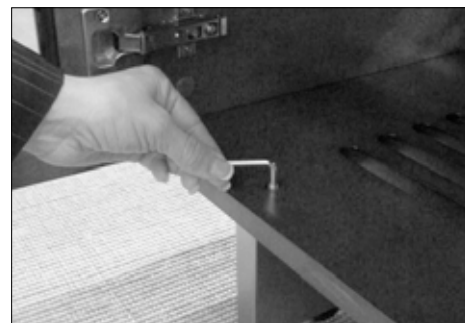
### Fine tuning your BDI Avion Home Theater Furniture

After unpacking and assembling your cabinet, inspect it to be sure that it is sitting level on the floor, that all doors appear level, and that they open and close freely without rubbing or binding.

Due to uneven floors or perhaps gentle jostling during shipment, your BDI cabinet may not appear to be in perfect alignment when first assembled or when loaded with heavier electronic equipment. Such alignment issues are usually minimized or eliminated with only a few minor adjustments.

#### **STEP 1 - Level the cabinet (if needed)**

Levelers are integrated into each leg assembly and are accessed from inside the cabinet. If your floor is uneven, you may extend one or more levelers (with the provided **4mm Hex Drivers (B)**) to attain a level, stable cabinet placement. Turning the leveler clockwise will extend the leveler; turning it counter-clockwise will retract it.



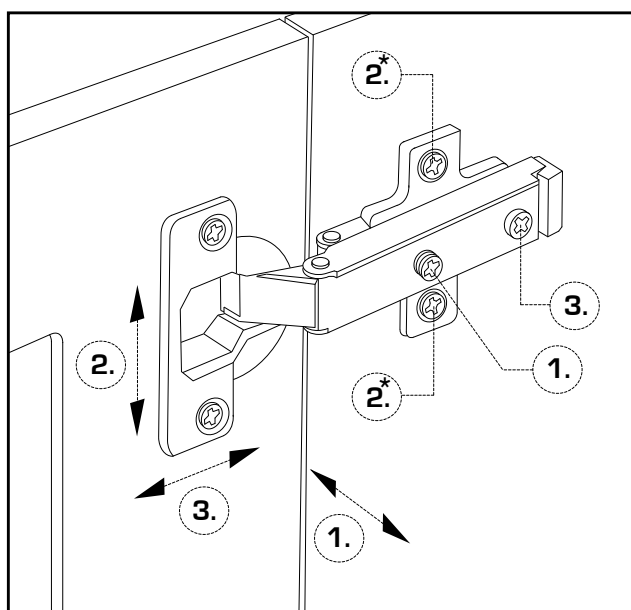
**INCORRECT!** Door is out of alignment with the rest of the unit.



**CORRECT!** Door is sitting squarely and evenly spaced on tops and sides.

#### **STEP 2 - Adjust Door Hinges (if needed)**

The doors on your cabinet should be evenly spaced and the doors should open and close freely without rubbing against the door frame.



If the cabinet's doors appear out of alignment, this condition can be corrected with minor adjustment to the European hinges on each door.

Because these hinges are infinitely adjustable, adjusting one hinge element can sometimes cause the need for adjustments to other elements. But with a few adjustments, you can modify the orientation of the cabinet doors to make sure that they hang perfectly within your cabinet.

Use a Phillips screwdriver to adjust the door hinges:

- By adjusting **Screw 1**, the door will move **LEFT** or **RIGHT** within the frame. Make minor adjustments at both top and bottom hinges for best results.
- By adjusting **Screw(s) 2**, the door will move **UP** or **DOWN** within the frame (the top and bottom hinges must be adjusted the same amount).
- By adjusting **Screw 3** the entire door will move **IN** or **OUT**, opening or closing the gap between the door frame and cabinet (this screw rarely needs adjustment).