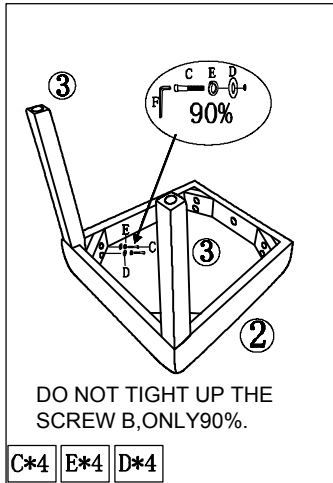


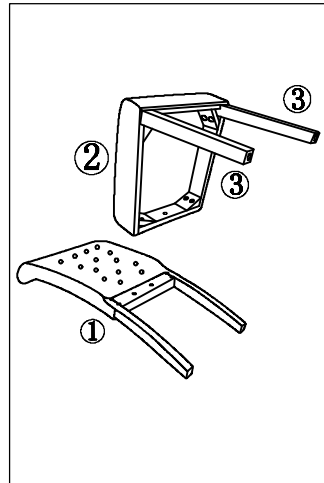
1



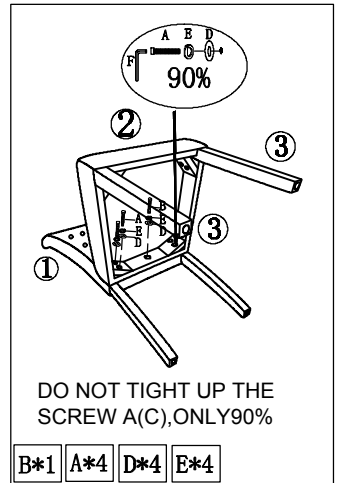
2

DO NOT TIGHT UP THE SCREW B, ONLY 90%.

C*4 E*4 D*4



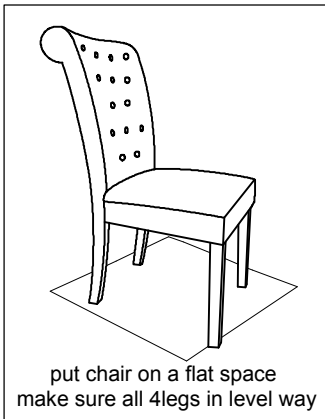
3



4

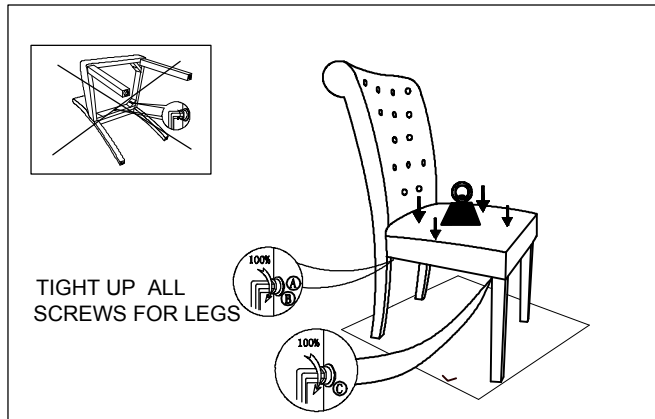
DO NOT TIGHT UP THE SCREW A(C), ONLY 90%

B*1 A*4 D*4 E*4



5

put chair on a flat space
make sure all 4legs in level way

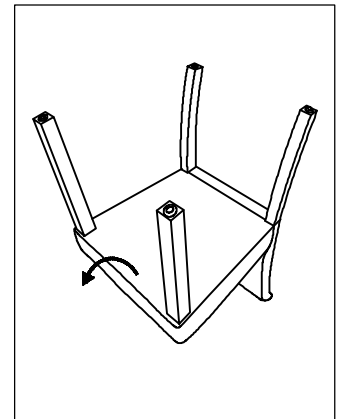


6

TIGHT UP ALL SCREWS FOR LEGS

100%

100%



7

