

saxby
lighting



Single Phase Track

Thank you for purchasing this product.

Please read the instructions carefully before use to ensure safe and satisfactory operation of this product.

Please retain these instructions for future reference.

Warning

This is a Class I product and must be earthed.

This unit must be fitted by a competent and qualified electrician.

Please read these instructions carefully before commencing any work.

Install in accordance with IEE Wiring regulations and current Building Regulations.

To prevent electrocution switch off at mains supply before installing or maintaining this fitting. Ensure other persons cannot restore the electrical supply without your knowledge.

This light fitting should be connected to a fused circuit.

If replacing an existing fitting, make a careful note of the connections.

This track is suitable for dimming. Fittings with low voltage lamps are not suitable for dimming. Care must be taken to only use the same type of fitting that is able to be dimmed, and that the dimmer wattage must not be exceeded.

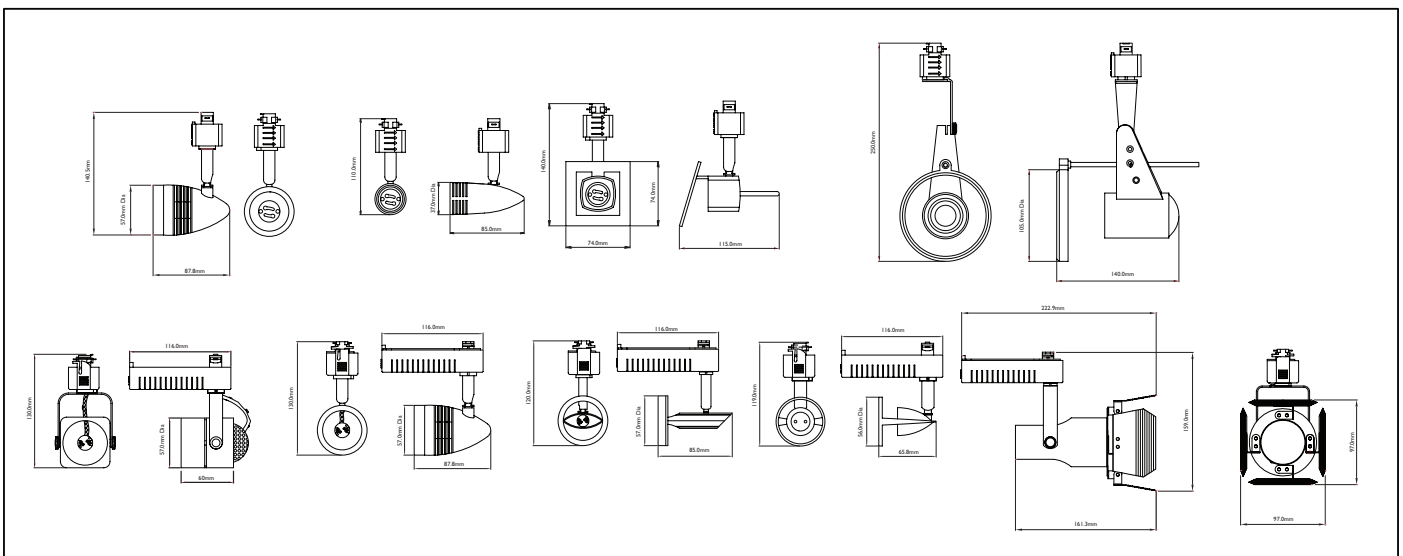
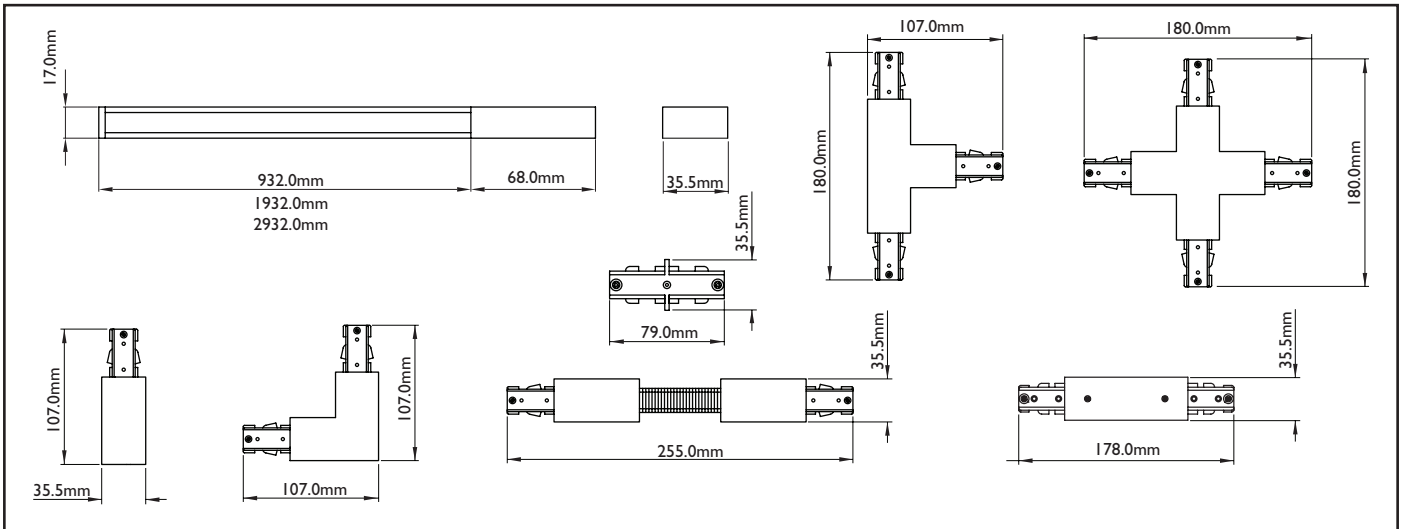
Waste electrical products should not be disposed of with household waste. Please recycle where facilities exist.

Check with your local authority or retailer for recycling advice.

Specification

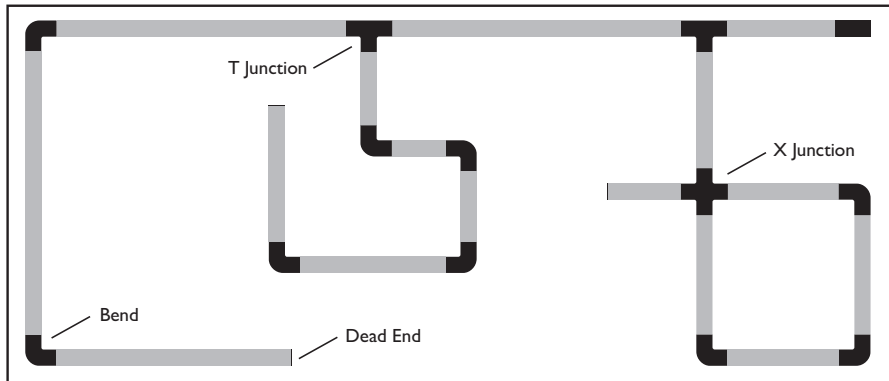
Voltage: 240V 50Hz a.c.

IP rating: 20



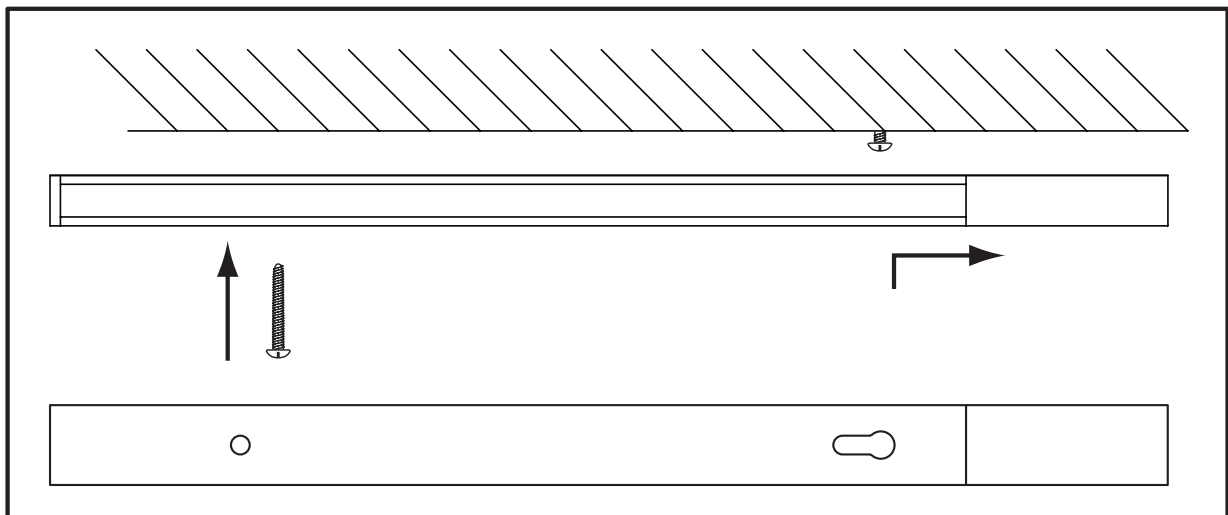
Layout

This track system can be extended to a variety of different configurations using accessories such as left bends, right bends, T junctions, X junctions and flexible joints.



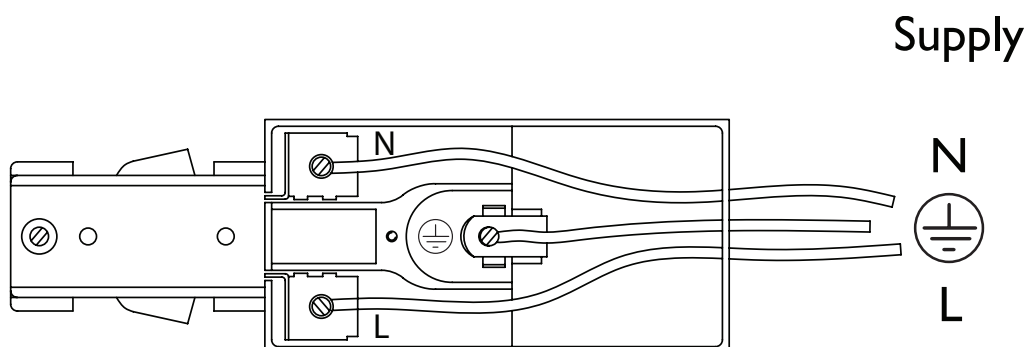
Installation

1. Plan the track layout and decide accessories needed before fixing anything to the ceiling.
2. The maximum power per run of track is 1kW (1000W).
3. Ensure the ceiling is capable of holding the weight of the track and products. Take care to avoid damaging any concealed wiring and pipes. The correct fixings should be used for brick, cavity walls or plasterboard.
4. Mark the first hole position and fit the screw in position as shown.
5. Feed the screw through the keyhole slot, and slide into position. Mark the position of the second hole.
6. Locate the track and fit the second screw into position.
7. If fitting accessories, remove the end cap, and push them firmly home. Fit extra lengths of track as required.



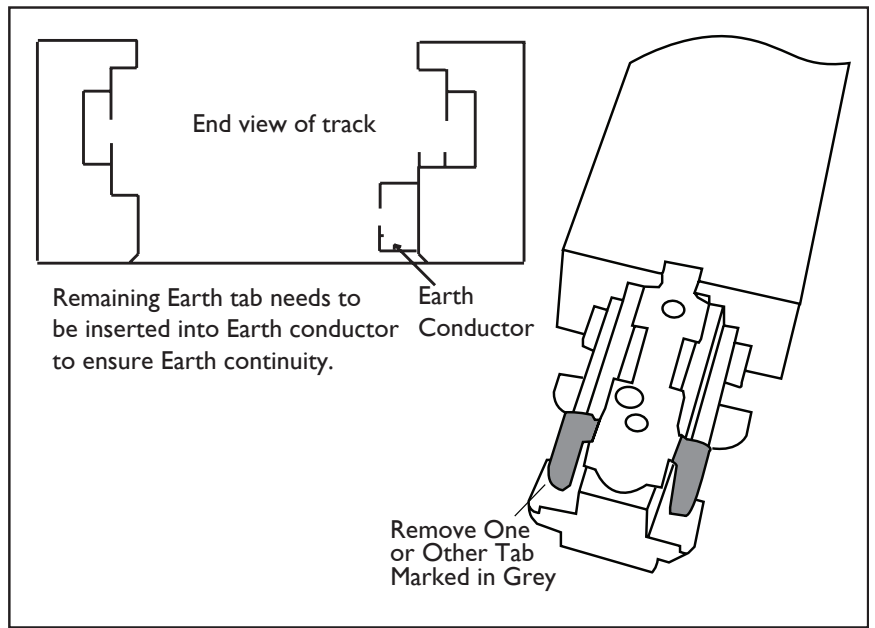
Wiring

8. Undo the screw and remove the cover from the live end. Push out the desired cable access point.
9. Identify the correct cable from the supply and pull through.
10. Connect the supply wires to the terminal block, opposite the corresponding wires from the fitting. The central connector can also be wired in this way.
11. Refit the cover onto the live end taking care not to trap the cable.



Connection

- The track accessories are provided with earth connection points on both sides.
- When offering the accessory to the track, verify which tab needs to be removed. (See left hand diagram).
- To remove the tab, grasp firmly with a pair of pliers and lever back. The tab should snap cleanly off. (See right hand diagram).
- Locate the accessory in the track and push home.



Check That

Check that.....

- You have correctly identified the wires.
- The connections are tight.
- No loose strands have been left out of the connection block.

Fitting Units

- Locate the product in the track with the connections in the slot.
- Slide the tab down, and rotate the product 90 degrees to engage the connections in the track.
- Allow the tab to slide back up and ensure that it is located correctly in the track slot.
- Replace fuse or circuit breaker and switch on. Your light is now ready for use.

Care and Cleaning

- We recommend cleaning with a soft dry cloth.
- Do not use solvents or abrasive cleaners as these could damage the finish.

Recycling Advice



Waste electrical products should not be disposed of with household waste. Please recycle where facilities exist. Check with your Local Authority or retailer for recycling advice.

Safety Information

- For your safety, always switch off the supply before changing lightbulbs, or cleaning.
- This system contains non-replaceable parts and cannot be serviced. If damage occurs the part should be scrapped.



Saxby Lighting Ltd. BH23 3PE