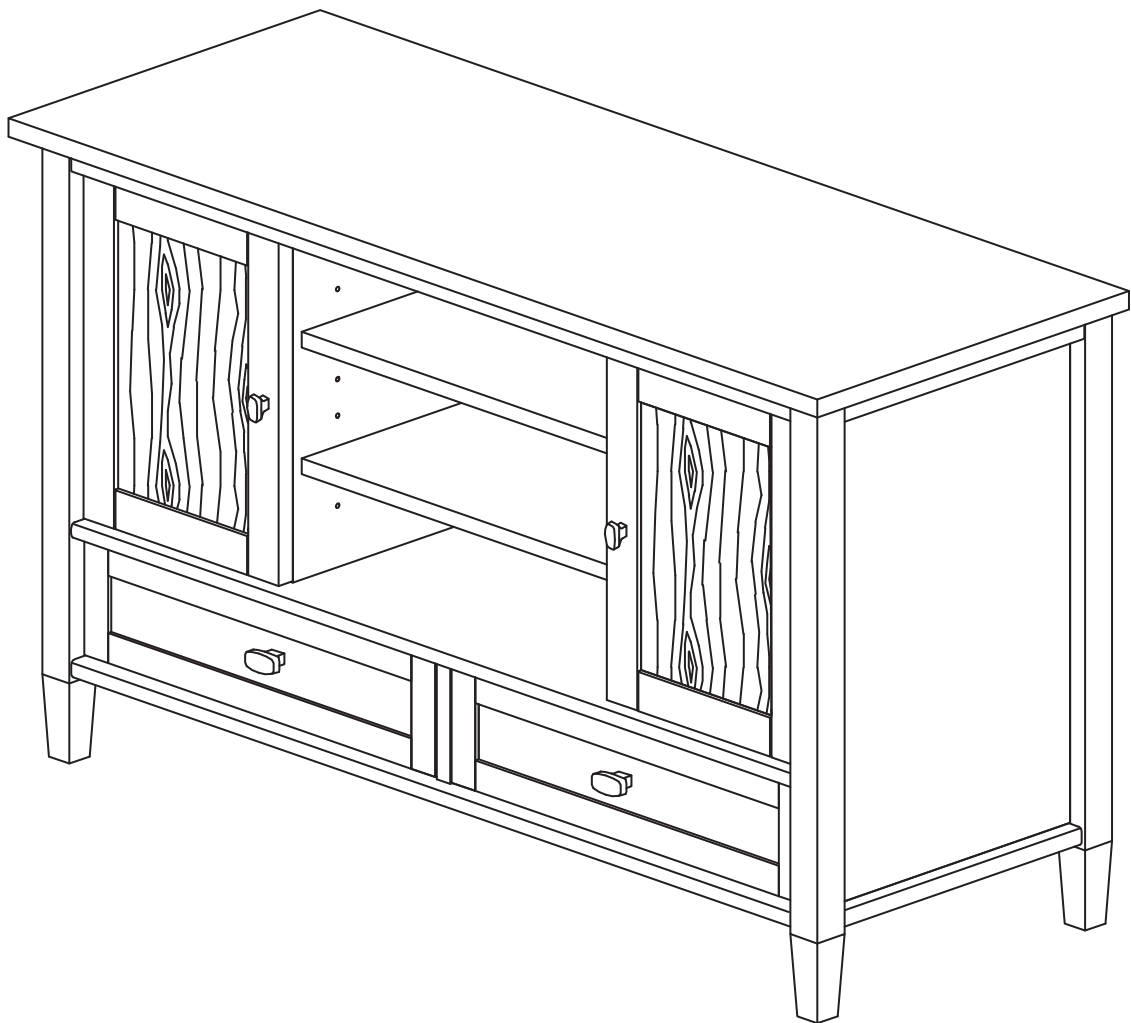


**WARM SHAKER / NORFOLK / LEXINGTON**

---

**TV MEDIA STAND**

MODEL # AXWSH004



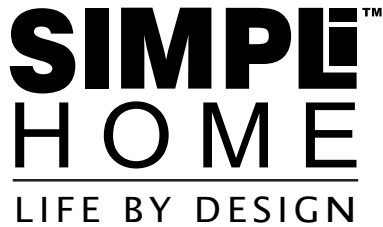


**FOR REPLACEMENT PARTS OR HELP WITH  
ASSEMBLY PLEASE CONTACT US AT:**

**[simpli-home.com/customer-support](https://simpli-home.com/customer-support)**

**PLEASE ENSURE TO HAVE THE MODEL #  
FROM THE PACKAGING OR INSTRUCTION BOOKLET**

**TO RETURN THE PRODUCT:  
PLEASE CONTACT THE RETAILER  
WHERE THE ITEM WAS PURCHASED FROM**



**ENTER  
TO WIN**

**Upload an image of our furniture  
in your home with a short review  
to our facebook page for a chance to**

**Win up to \$3000 of  
Simpli Home furniture!!!**

[www.facebook.com/simplihomefurnishings](http://www.facebook.com/simplihomefurnishings)



**IMPORTANT** : Please read this manual carefully before beginning assembly of this product. Keep this manual for future reference.

## **SAFETY INFORMATION**

**CAUTION:** Injuries and damage can occur from furniture tip over if product is not properly anchored to the wall. Use the Furniture Anti-Tipping Restraint provided with the product. Consult our assembly instructions for help.

If the Furniture Anti-Tipping Restraint kit is not in the box, please contact our customer service department in order to obtain another kit before using the furniture.

Identify all the parts and hardware. Do not discard of the packaging until you have checked that you have all of the parts and hardware required. Hardware package may have spare parts.

**WARNING:** This item contains small parts which can be swallowed by children and pets. Keep children and pets away during assembly. To avoid danger of suffocation, always keep plastic bags away from children and pets. We recommend that you assemble this unit on a carpeted floor to avoid scratches. If using power tools, set the tool to low torque to avoid damage.

**May require 2 people for ease of assembly.**

## **CARE and MAINTENANCE**

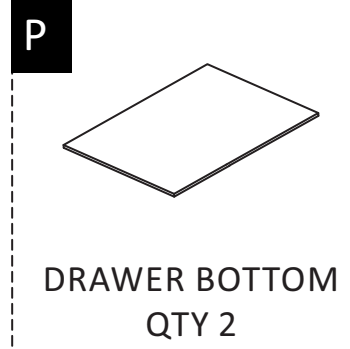
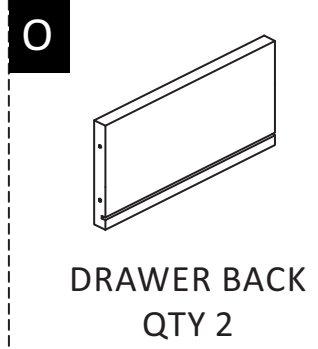
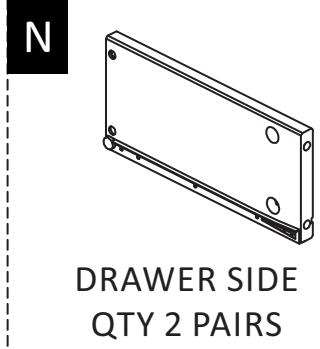
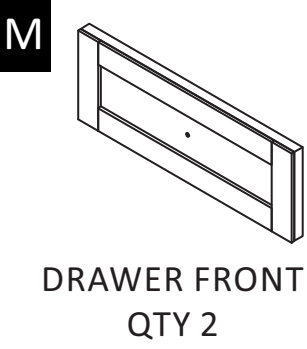
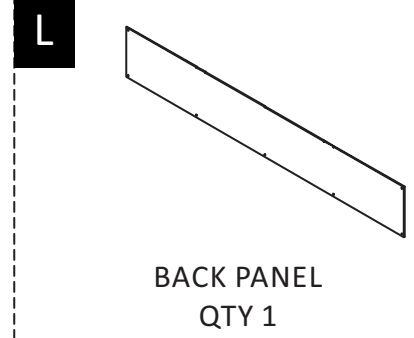
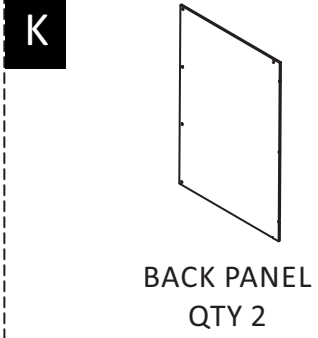
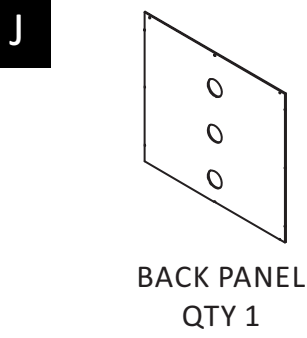
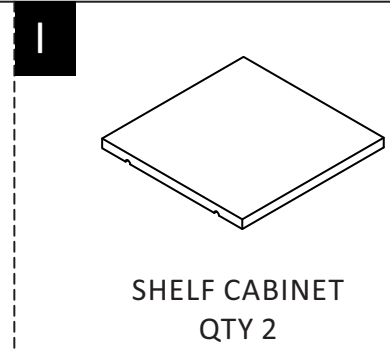
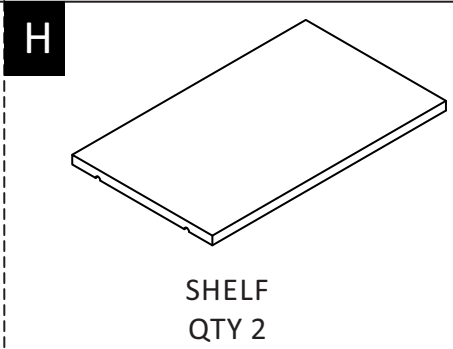
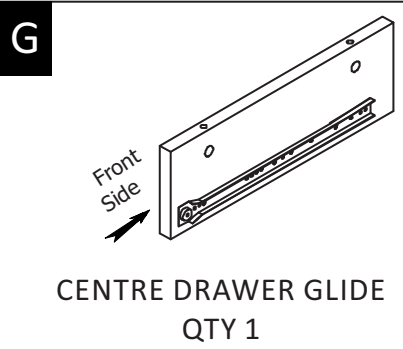
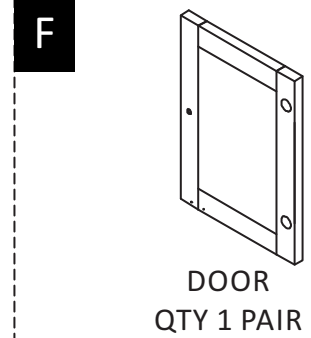
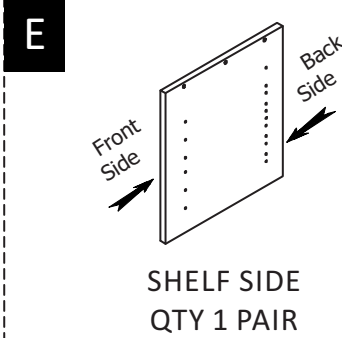
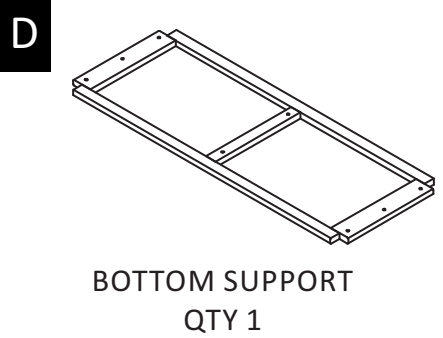
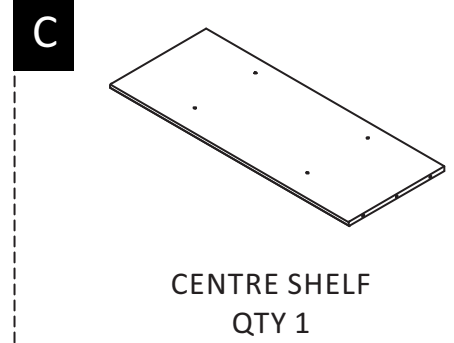
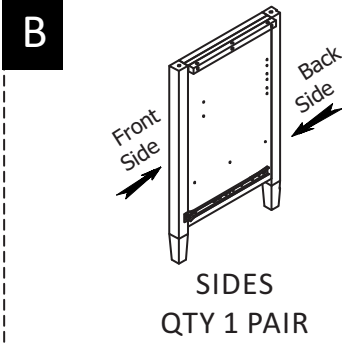
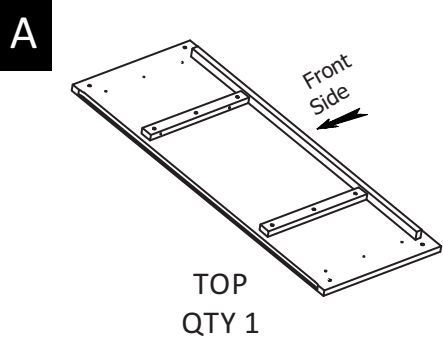
To clean, use a soft or slightly damp cloth, then wipe with a clean, dry cloth. Dust with soft dry cloth.

Do not use ammonia-based cleaning products, as they will damage the finish. Do not leave liquids or damp cloths on this furniture.

To avoid dulling of the finish, do not place furniture in direct sunlight.

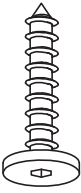
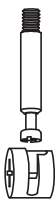
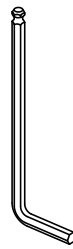
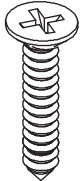
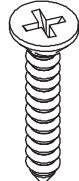
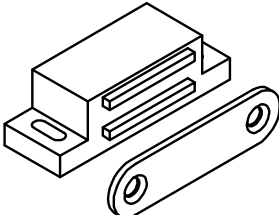
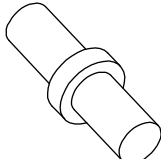
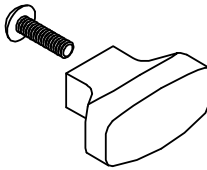
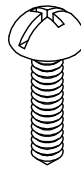


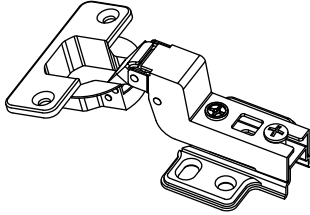
Please inspect and tighten all screws or bolts on a regular basis to ensure proper performance and safety of your item.

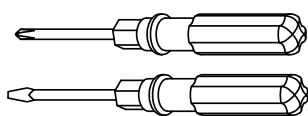
**PARTS DESCRIPTION**



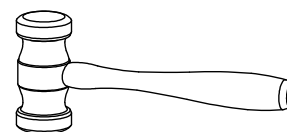
**NEED HELP?** For help with assembly or if you are missing a part,  
Please call customer service at 1-866-518-0120 ext. 262 (9 am to 4 pm EST)

**HARDWARE DESCRIPTION**

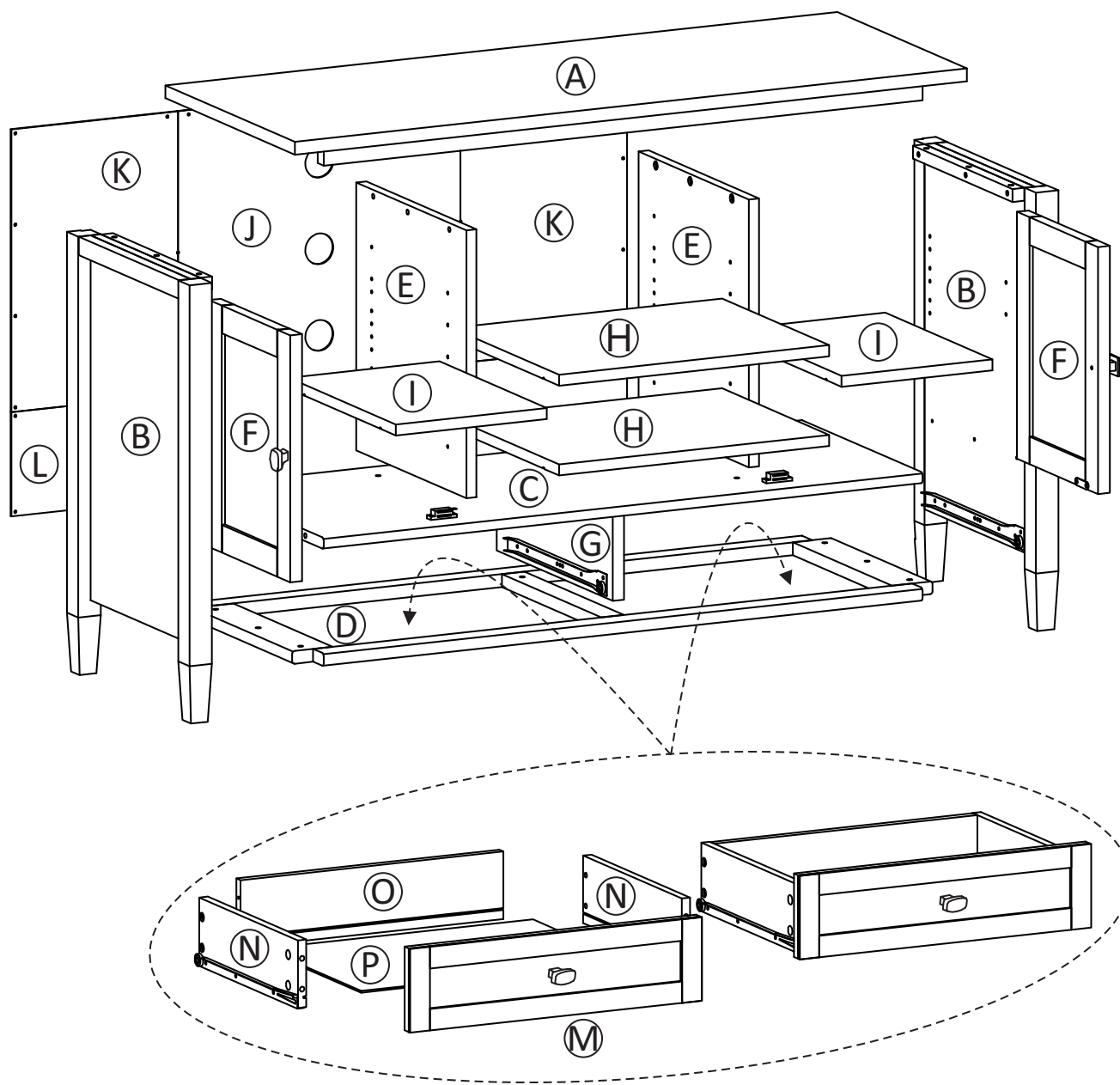
<p><b>1</b></p>  <p>ALLEN KEY SCREW M6 X 30 mm QTY 32</p>	<p><b>2</b></p>  <p>CAM LOCK PIN CAM LOCK QTY 16 SETS</p>	<p><b>3</b></p>  <p>ALLEN KEY QTY 1</p>
<p><b>4</b></p>  <p>PHILLIPS SCREW M4 X 15 mm QTY 24</p>	<p><b>5</b></p>  <p>PHILLIPS SCREW M3 X 15 mm QTY 8</p>	<p><b>6</b></p>  <p>MAGNET AND PLATE QTY 2 SETS</p>
<p><b>7</b></p>  <p>SHELF SUPPORT QTY 24</p>	<p><b>8</b></p>  <p>HANDLE M4 X 25 mm QTY 4 SETS</p>	<p><b>9</b></p>  <p>PHILLIPS SCREW ROUND HEAD M4 X 15 mm QTY 31</p>
<p><b>10</b></p>  <p>a. M4 x 25mm - QTY 1 b. M4 x 15mm - QTY 1 c. M4 x 25mm - QTY 1</p> <p>FURNITURE ANTI-TIPPING RESTRAINT QTY 1 SET</p>	<p><b>11</b></p>  <p>WOOD DOWEL Ø8 X 30 mm QTY 4</p>	<p><b>12</b></p>  <p>ADJUSTABLE HINGE QTY 4 SETS</p>



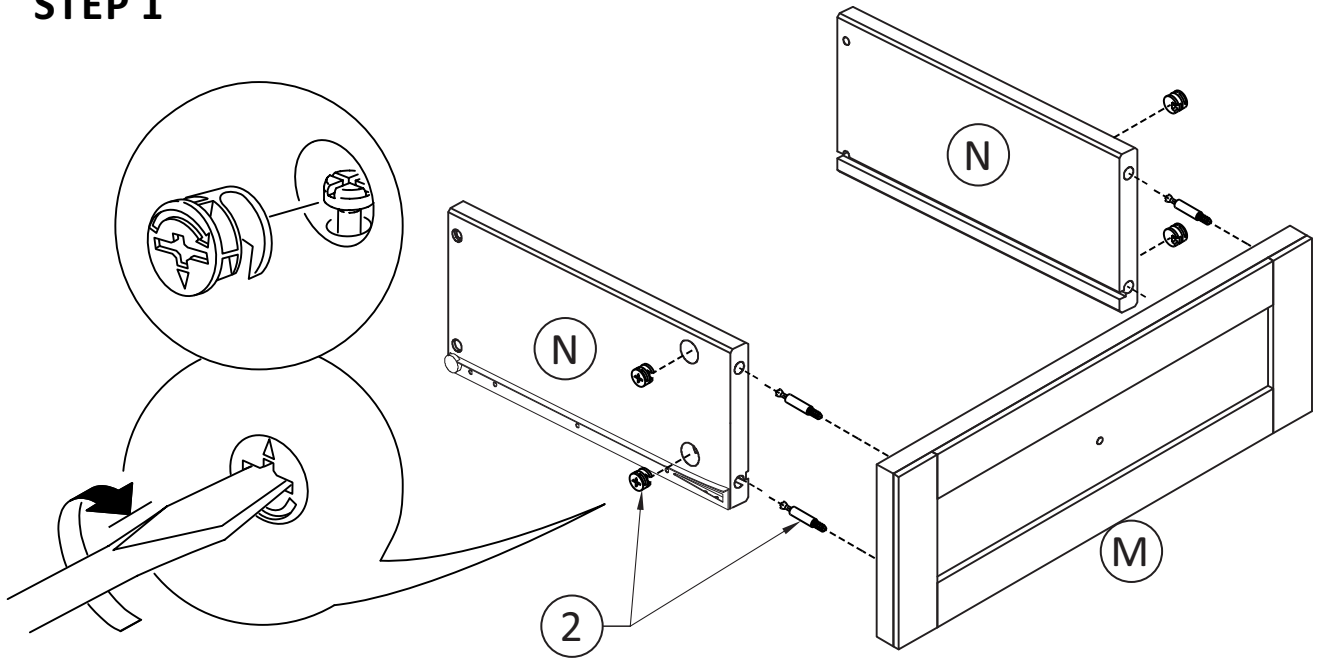
Required -  
Flathead screwdriver  
Phillips screwdriver  
Rubber mallet  
**Not Included**



**NEED HELP?** For help with assembly or if you are missing a part,  
Please call customer service at 1-866-518-0120 ext. 262 (9 am to 4 pm EST)

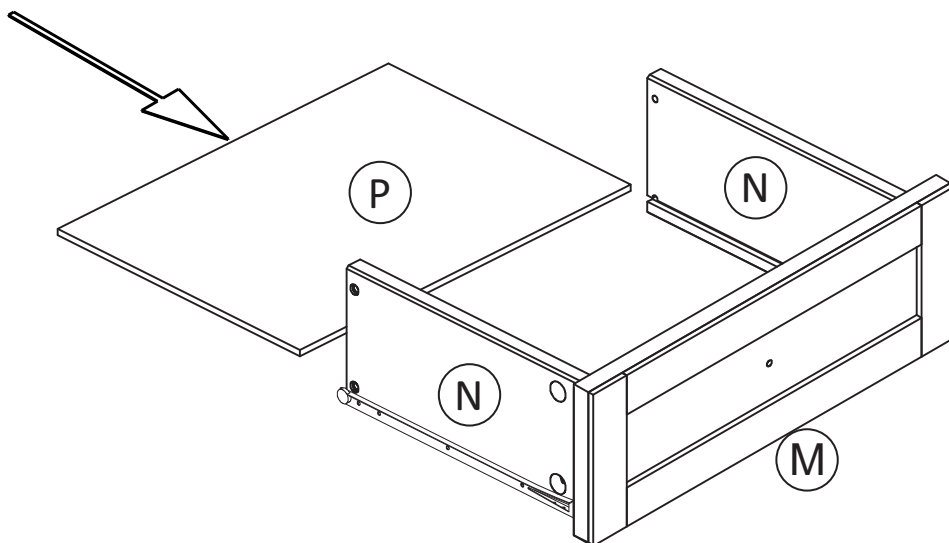


## STEP 1



1. Attach 4 Cam Lock Pins (2) to back of Drawer Front (M).
2. Align and insert Cam Lock Pins into pre-drilled holes on Drawer Sides (N).
3. Insert 2 Cam Lock (2) into pre-drilled holes on each Drawer Side (N).
4. Use flathead screwdriver to secure Cam Locks.

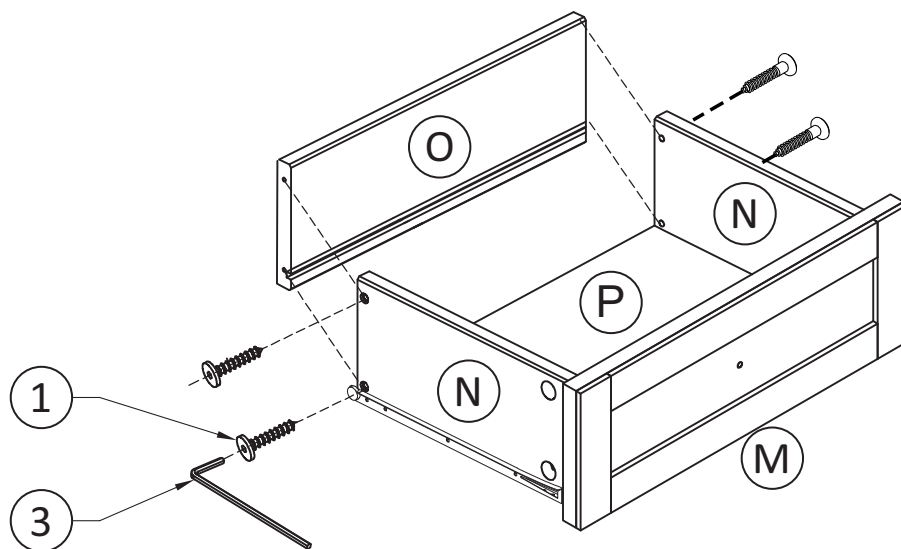
## STEP 2



1. Slide Drawer Bottom (P) firmly into slots on Drawer Sides (N) and Drawer Front (M).

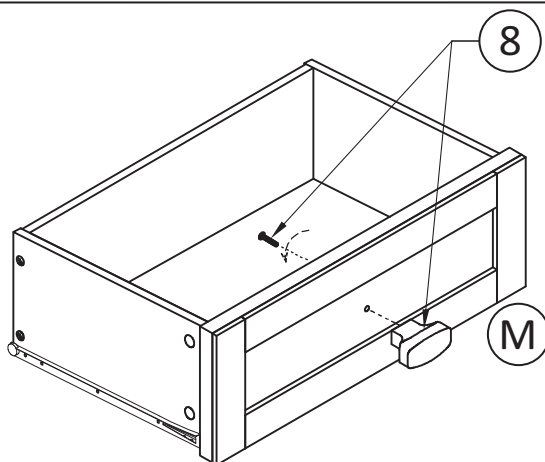


**STEP 3**



1. Align Drawer Back (O) with Drawer Bottom (P) and press firmly into slot .
2. Attach back using 2 Allen Key Screws (1) through pre-drilled holes on each side.
3. Use Allen Key (3) to tighten. Do not over-tighten.

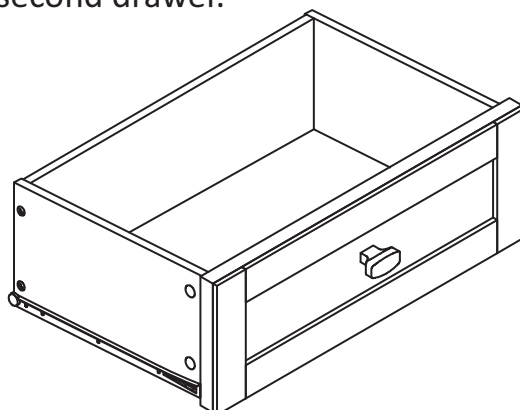
**STEP 4**



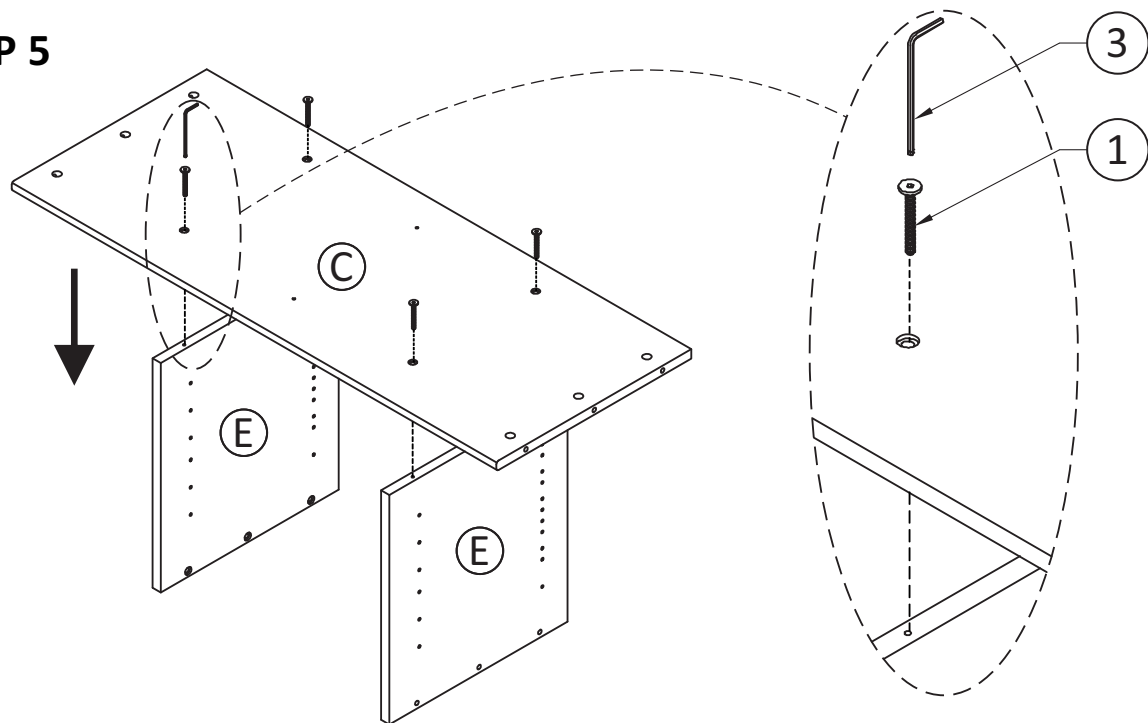
**NOTE:** The screwdriver is not included in the hardware pack.

1. Use Phillips Screwdriver to attach Handle (8) to Drawer Front (M).

Repeat Step 1-4 for the second drawer.

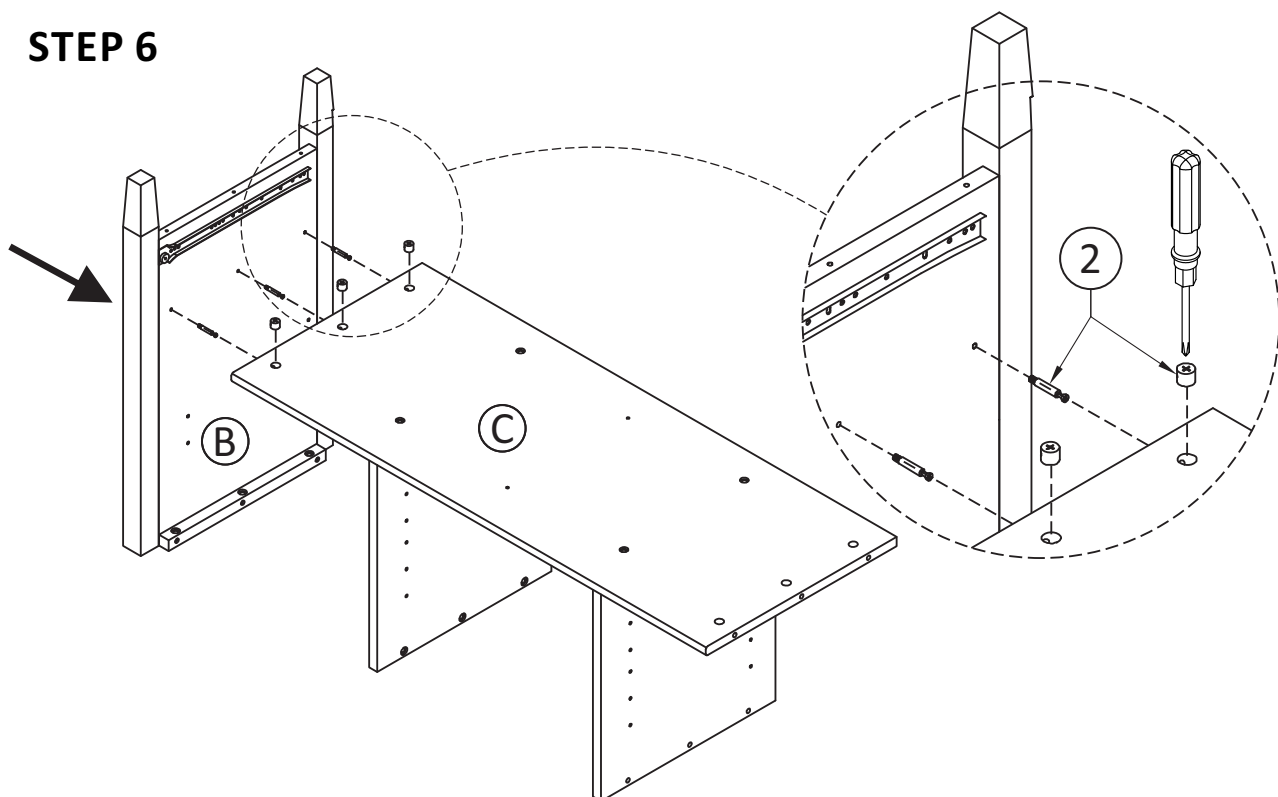


## STEP 5



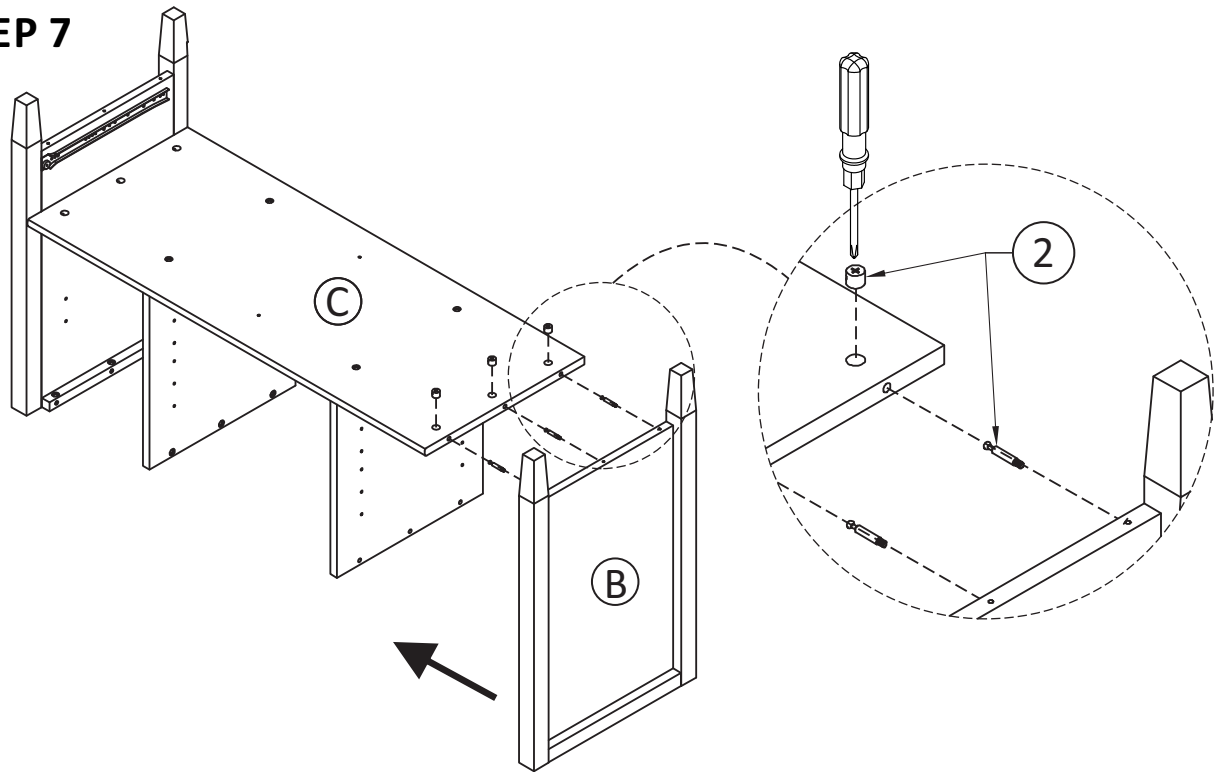
1. Attach Shelf Sides (E) to Bottom Shelf (C) using four Allen Key Screws (1) through pre-drilled holes.
2. Use Allen Key (3) to tighten. Do not over-tighten.

## STEP 6



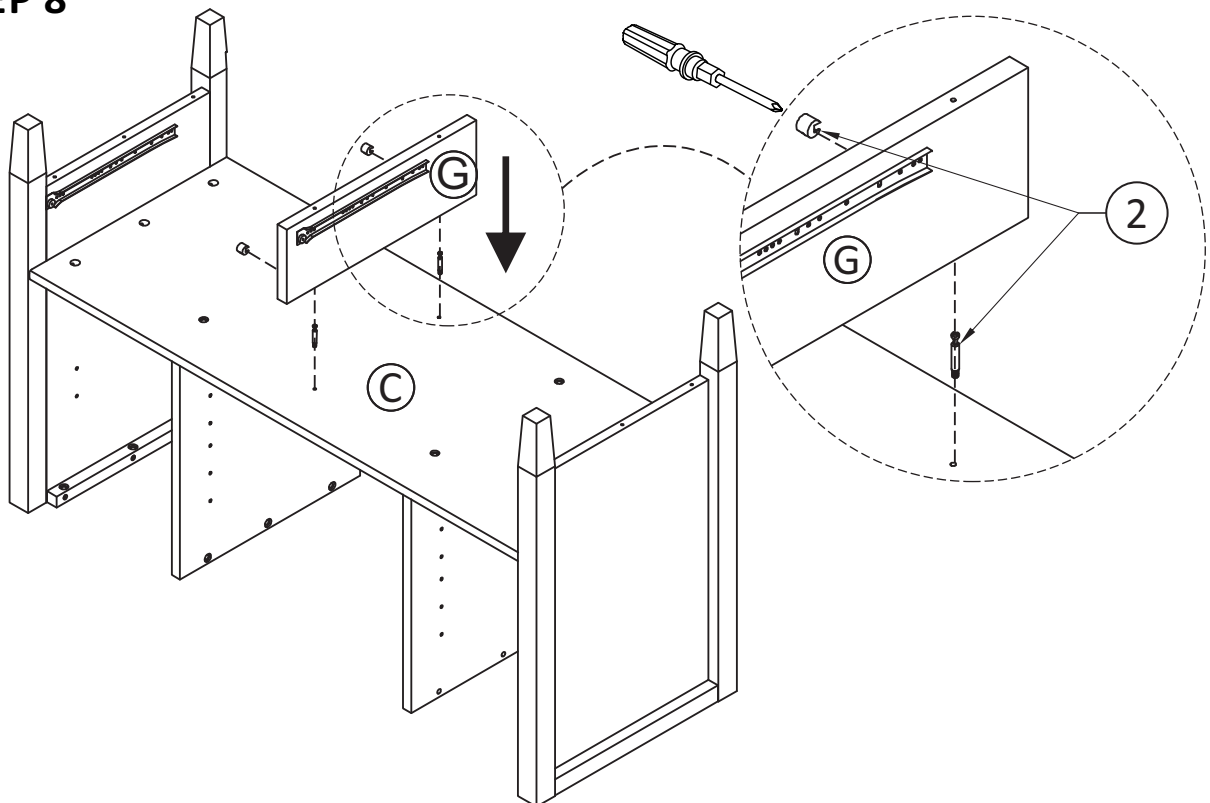
1. Attach three Cam Lock Pins (2) to one Side (B) using guide holes.
2. Align and insert Cam Lock Pins on Side (B) into pre-drilled holes on Bottom Shelf (C).
3. Place three Cam Locks (2) into pre-drilled holes in Bottom Shelf (C).
4. Using a flathead screwdriver tighten Cam Locks into Pins.

## STEP 7



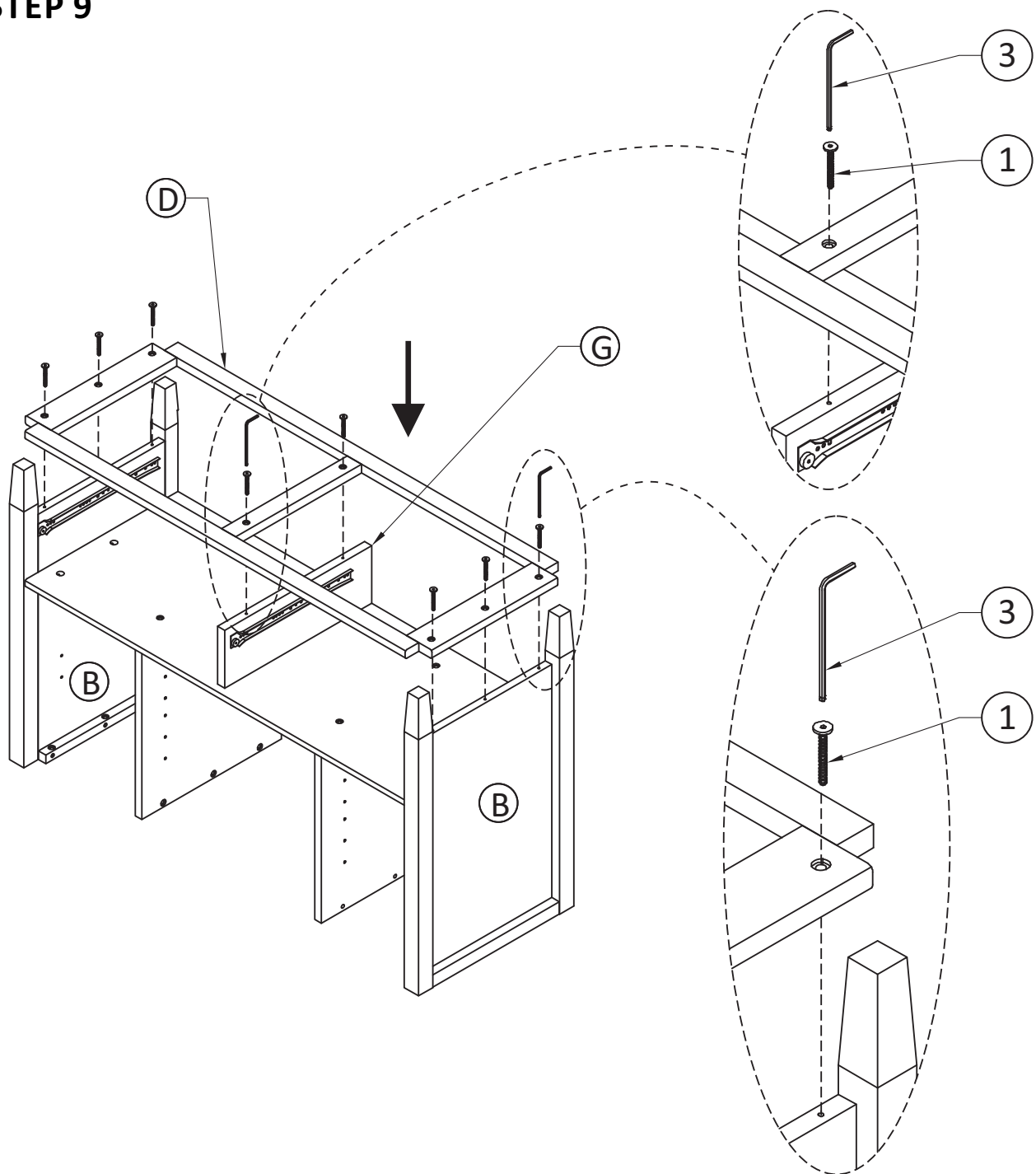
1. To attach Opposite Side (B) to Bottom Shelf (C), repeat steps 1 - 4 in Step 6.

## STEP 8



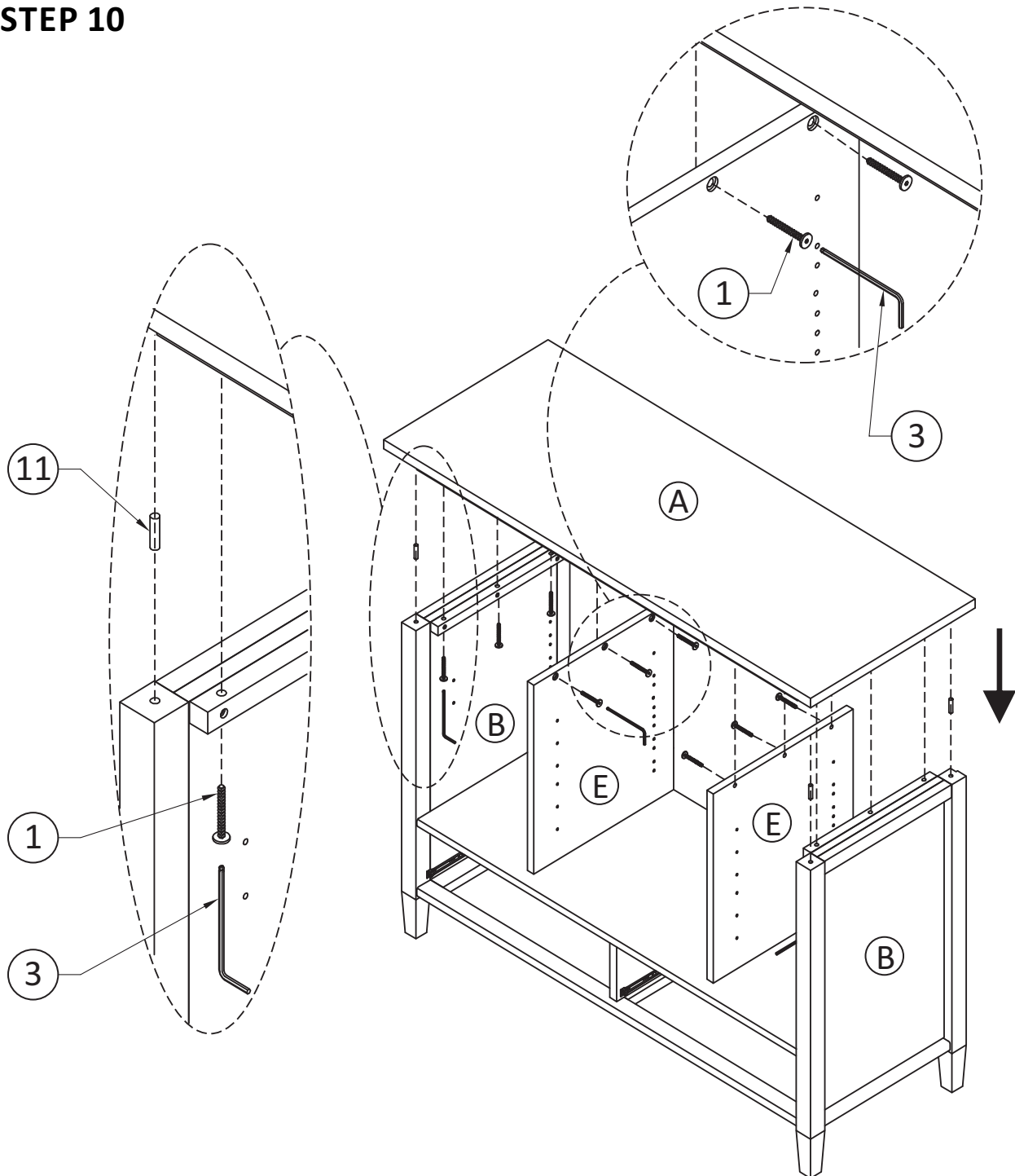
1. Attach two Cam Lock Pins (2) to bottom of Bottom Shelf (C) using guide holes in centre.
2. Align and insert pins into Centre Drawer Glide (G).
3. Insert two Cam Locks (2) into pre-drilled holes on Centre Drawer Glide (G).
4. Using a flathead screwdriver tighten Cam Locks into Pins.

## STEP 9



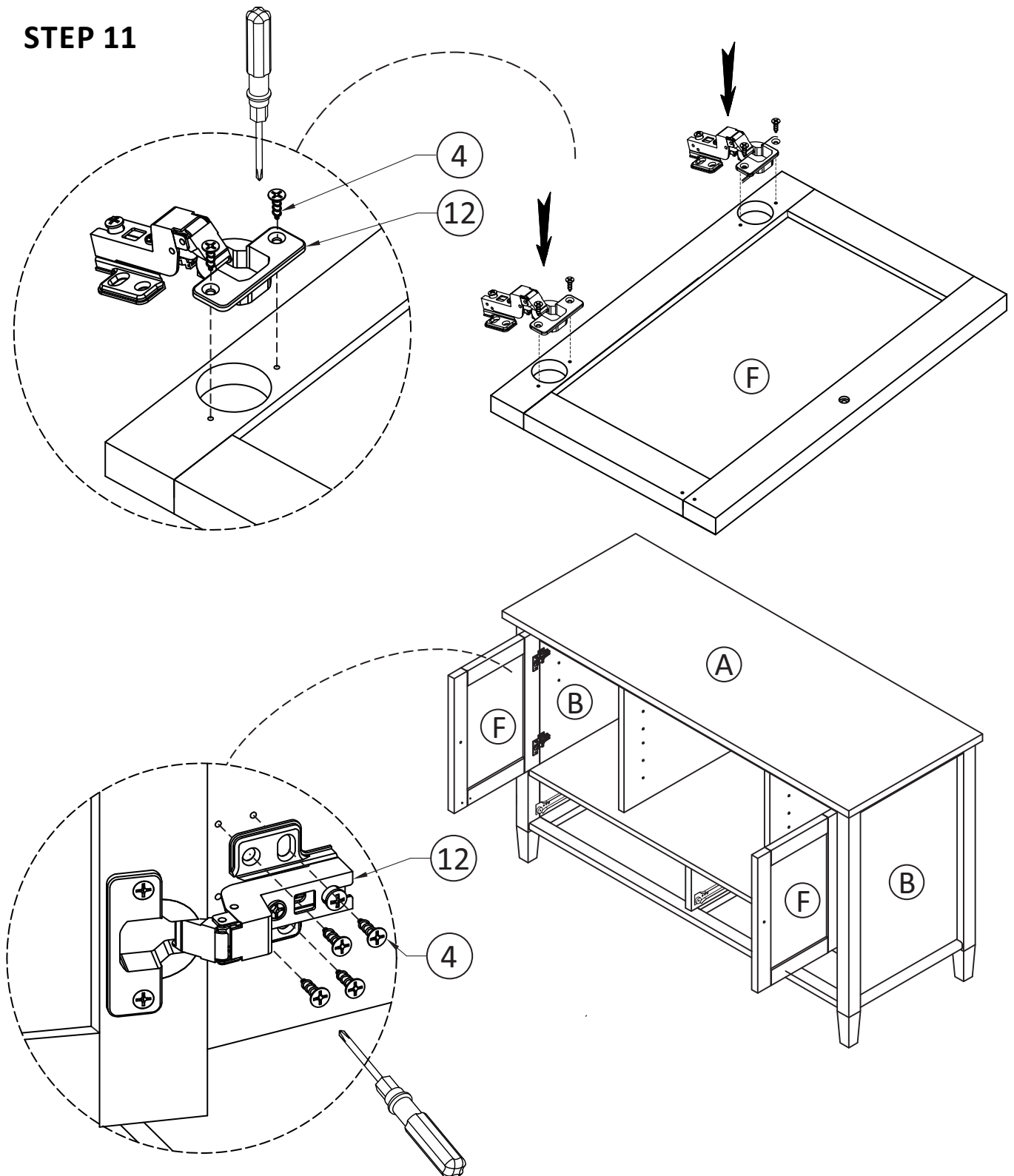
1. Attach Bottom Support (D) to Sides (B) and Centre Drawer Glide (G) using Allen Key Screws (1) through pre-drilled holes.
2. Use Allen Key (3) to tighten. Do not over-tighten.

## STEP 10

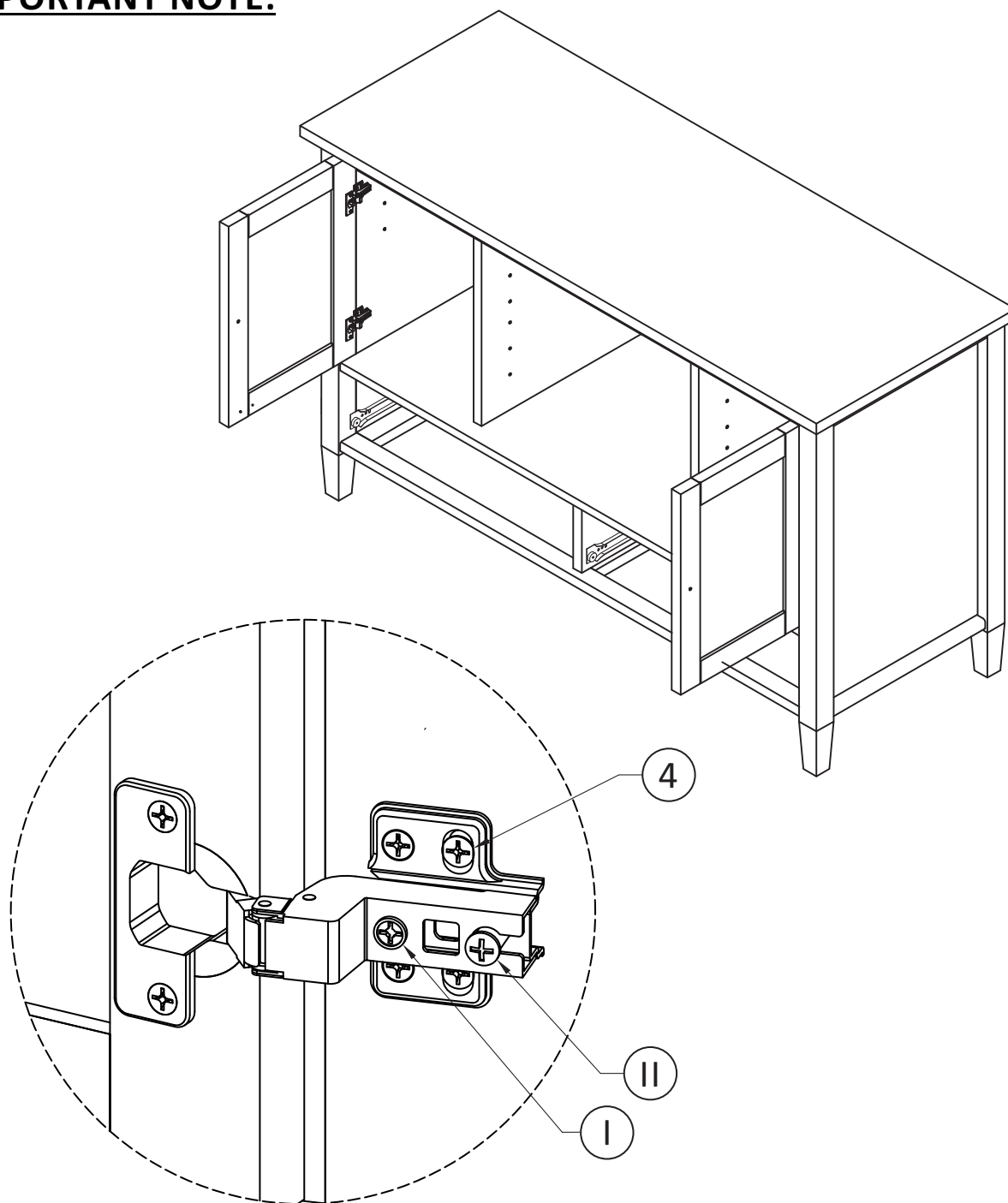


1. Insert two Dowels (11) into top corners of each Side (B).
2. Use rubber mallet to tap Dowels (11) into bottom of holes securely. 1/2 length of Dowels should be exposed.
3. Align pre-drilled holes on bottom corners of Top (A) with Dowels (11) in Sides (B).
4. Insert Dowels into top.
5. Using Allen Key Screws (1) attach Top (A) to Sides (B) and to Shelf Sides (E).

## STEP 11



1. Attach Adjustable Hinges (12) to Doors (F) using Phillips Screws (4) into guide holes on Doors (F).
2. Attach Adjustable Hinges on Doors (F) to Sides (B) using Phillips Screws (4) into guide holes on Sides (B).
3. Use a Phillips screwdriver to tighten screws. Do not over-tighten.

**IMPORTANT NOTE:**

Tighten the Screw marked (II) to fasten hinge. The door may need to be adjusted so that all the spaces between the door and the unit sides are equal. To adjust, follow instructions:

1. Side adjustment 4 mm

To move the door towards the side panel, loosen screw (I) and tighten screw (II) .

To move the door away from the side panel, loosen screw (II) and tighten screw (I) .

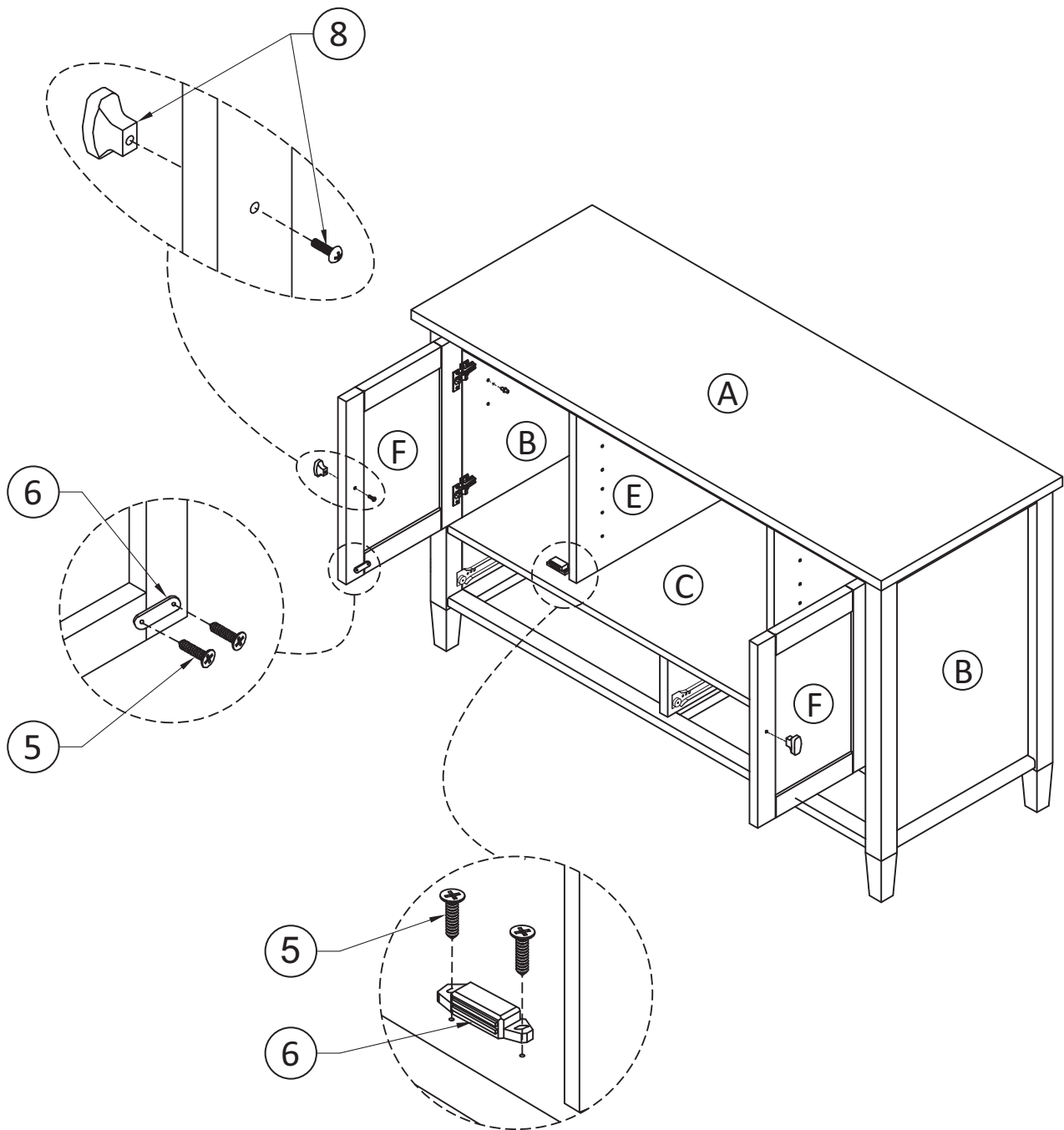
2. Depth adjustment 4 mm

Loosen screw (II) ( just one turn ), adjust door to desired position, re-tighten screw .

3. Height adjustment

Loosen screw (4) , adjust door to desired position, re-tighten screw .

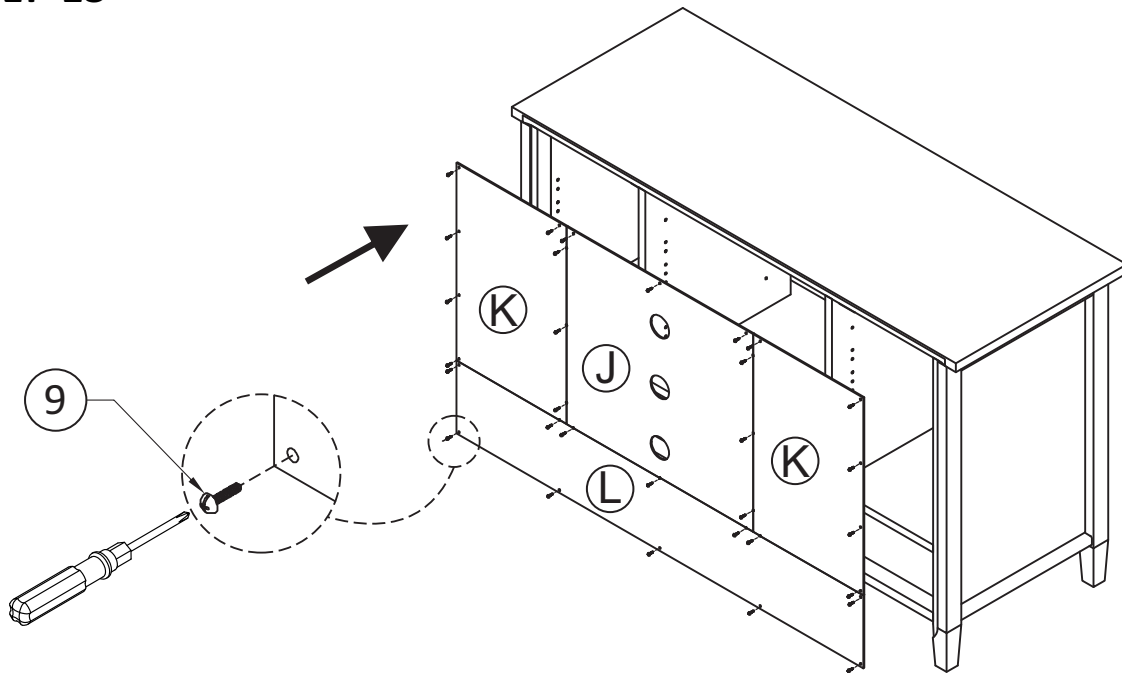
## STEP 12



1. Attach Magnet Plates (6) to bottom corner of Doors (F) using Phillips Screws (5) into guide holes on Doors (F).
2. Attach Magnet (6) using Phillips Screws (5) into guide holes on Centre Shelf (C).
3. Use a Phillips screwdriver to attach Handles (8) to Doors (F).

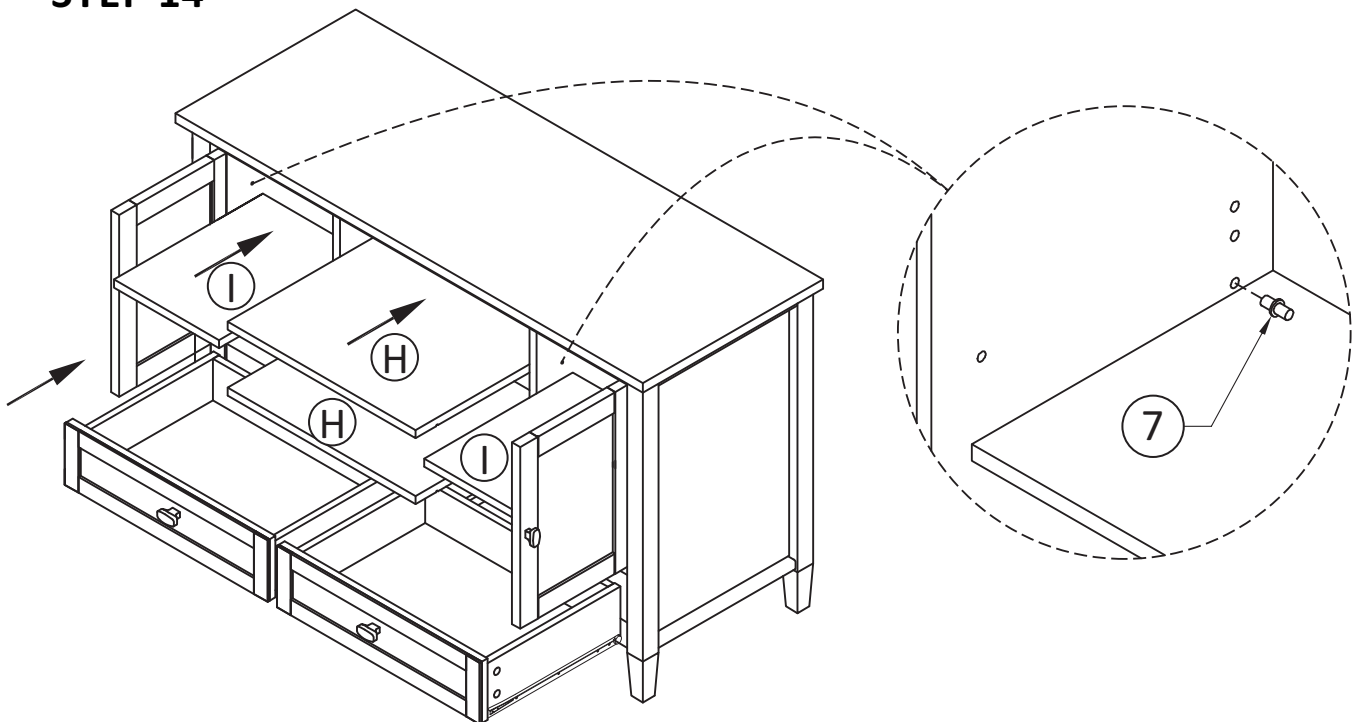


## STEP 13



1. Using Phillips Round Head Screws ⑨ attach Back Panels ①②③ to back of TV Stand.

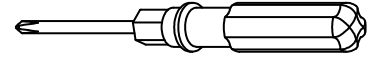
## STEP 14



1. Use Shelf Supports ⑦ for each Shelf ④ or ⑤ in desired location.
2. Two Shelf Supports ⑦ may be used on back top of each Shelf ④ or ⑤ as a tipping restraint.

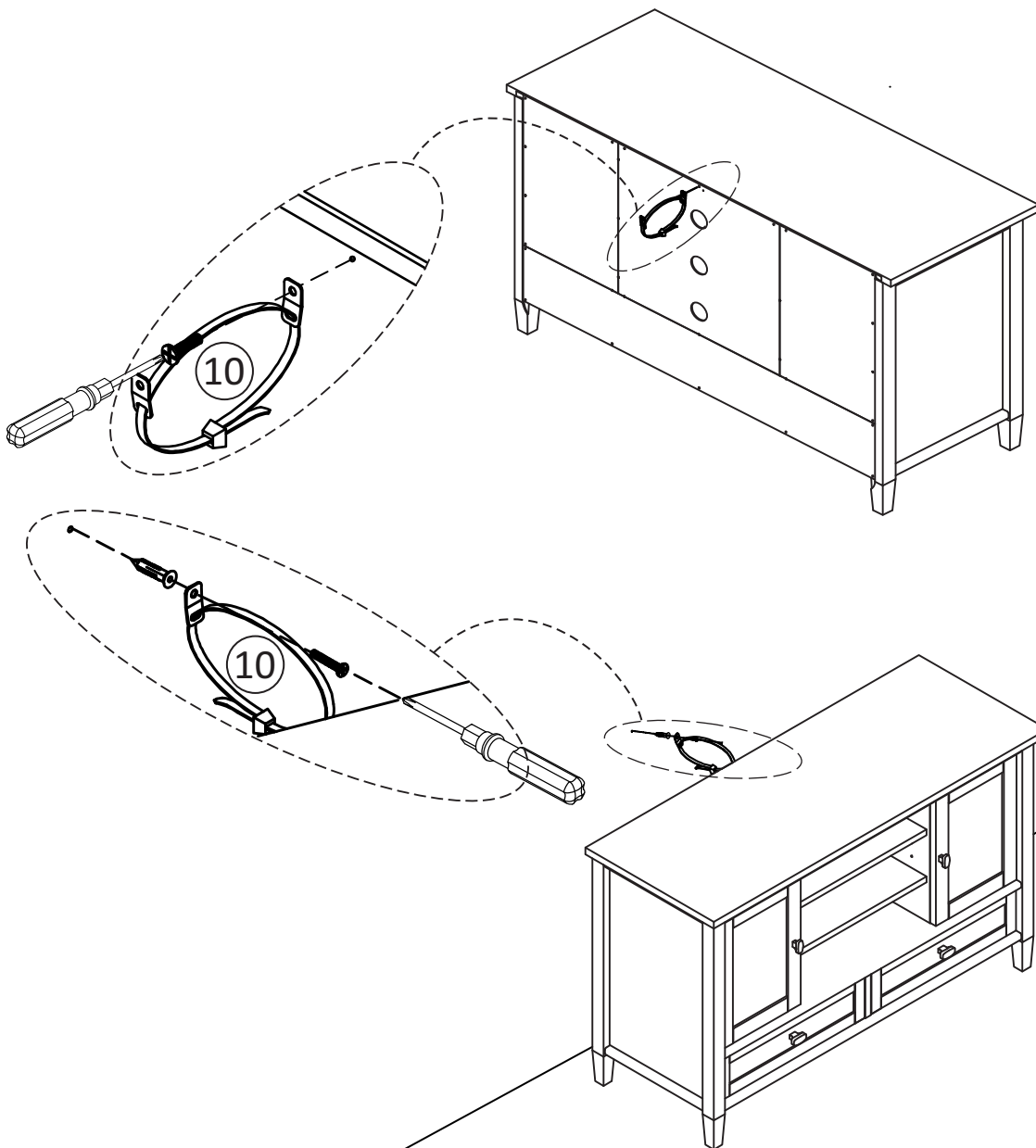
## FURNITURE ANTI-TIPPING RESTRAINT ASSEMBLY

**NOTE:** Injuries and damage can occur from furniture tip-over. It is important to use the safety bracket included. If the tipping restraint kit is not in the box, please contact our customer service department in order to obtain another kit before using the furniture.



**NOTE:** The screwdriver is not included in the hardware pack.

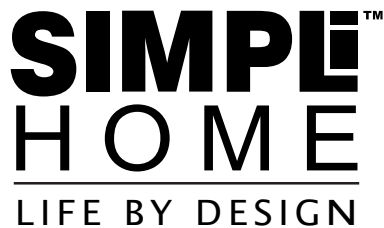
### STEP 15



## FURNITURE ANTI-TIPPING RESTRAINT ASSEMBLY

### Furniture Anti-Tipping Restraint Instructions:

1. Attach one of the mounting brackets securely to the back edge of the furniture. Use the shorter screw.
  2. Determine where furniture is to be placed and mark location on the wall for mounting bracket screw hole approximately 2 inches below the bracket mounted to the furniture.
  3. Drill a 3/16 inch hole in the wall. Press the plastic anchor into the hole and gently tap until the flange on the anchor is against the wall surface.
  4. Position the bracket over the anchor and use the longer screw to securely attach the bracket to the wall.
  5. Place the furniture so the back edge is in line with the bracket on the wall.
  6. Lace an end of the nylon restraint down through each bracket. Bring both ends together and slide the beaded end of the strap through the keyhole shaped slot in the other end until snug. Pull down on the beaded end until it snap locks into the keyhole slot.
  7. To double lock, return the beaded end back through the keyhole as shown.
  8. Check to make sure the strap is securely laced and locked to the brackets.
- **DO NOT** place heavy objects in top drawers
  - **DO NOT** let children climb or hang on drawers, doors or shelves



## WARRANTY

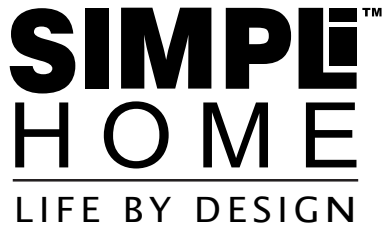
Thank you for purchasing a **Simpli Home – Wyndenhall – Brooklyn + Max** product. These products have been made to demanding, high-quality standards and are guaranteed for domestic use against manufacturing faults for a period of 12 months from the date of purchase. This warranty does not affect your statutory rights.

In case of any malfunction of your product (failure, missing parts, etc.) please contact us at our toll free service line at 1-866-518-0120 ext. 262 from 9 am to 4 pm, Monday to Friday, Eastern Standard Time or by email at [simpli-home.com/customer-support](https://www.simpli-home.com/customer-support).

We reserve the right to repair or replace the defective product, at its discretion.

This product is guaranteed for 12 months if used for normal purposes. Any warranty is invalid if the product has been overloaded or subject to neglect, improper use or an attempted repair by other than an authorized agent. Heavy-duty or daily professional/commercial usage are not guaranteed.

Due to continuous product improvement, we reserve the right to change the product specifications without prior notice.



**Question, problems, missing parts?**

**Before returning your product**  
please email Customer Support at  
[simpli-home.com/customer-support](mailto:simpli-home.com/customer-support)

or call

Customer Support at 1-866-518-0120 ext. 262  
Monday to Friday between 9 am – 4 pm EST

For more information visit us on our website  
[www.simpli-home.com](http://www.simpli-home.com)

Like us on facebook  
[www.facebook.com/simplihomefurnishings](http://www.facebook.com/simplihomefurnishings)