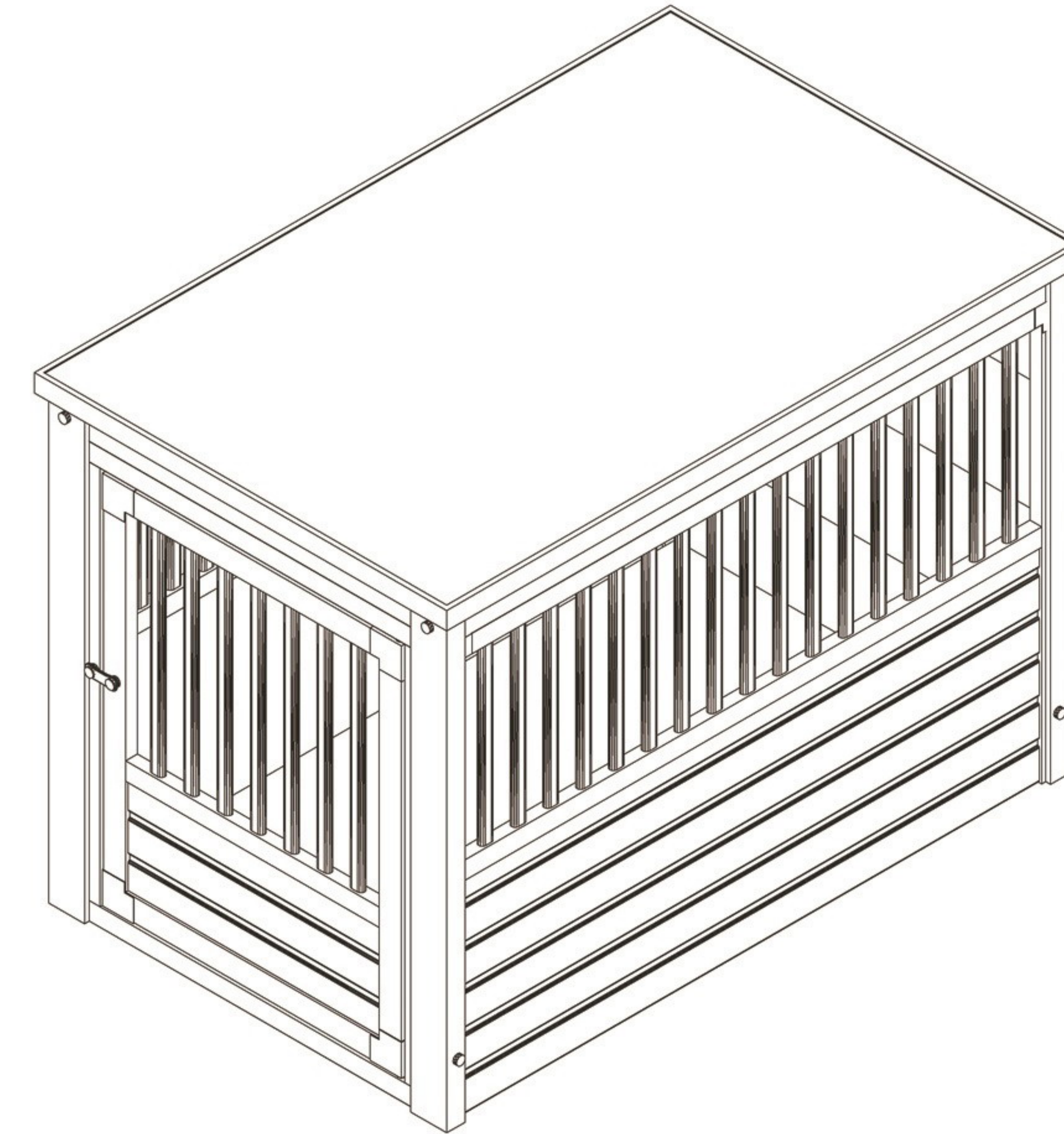




Habitat 'n Home Pet Furniture

InnPlace™ Pet Crate / End Table

(EHHC100, EHHC400 series)



Keep the Crate Clean for A Healthy Pet

It is very important to keep the crate clean for the health of your pet. ecoConcepts' non-absorbent ecoFLEX material and the easy-to-assemble design will be appreciated when it's time to clean.

Remove the table top by revising the last step of the assembly instruction. Now you have the access to the entire inside of the crate.

For a quick cleaning, simply wipe the inside and outside of the crate with a wet sponge or cloth. When a deep cleaning is needed, we recommend using a detergent with strong grease cutting capabilities and safe to use around you, your kids and your pets. Then rinse off the detergent with garden hose. Allow the interior to dry thoroughly before reassemble the table top. A deep cleaning is recommend twice a year to keep the crate clean and keep your pet healthy.

Congratulations on your purchase!

Before you Start – check for damaged or missing parts. Visit www.NewAgePet.com/customer-service to order replacement parts.

Part List:

Front Panel: 1

Side Wall Panels: 2

Floor Support Bar: 1 (L); 2 (XL)

Long Thumb Screw: 4

Side Wall Pin: 2 (L and XL only)

Back Panel: 1

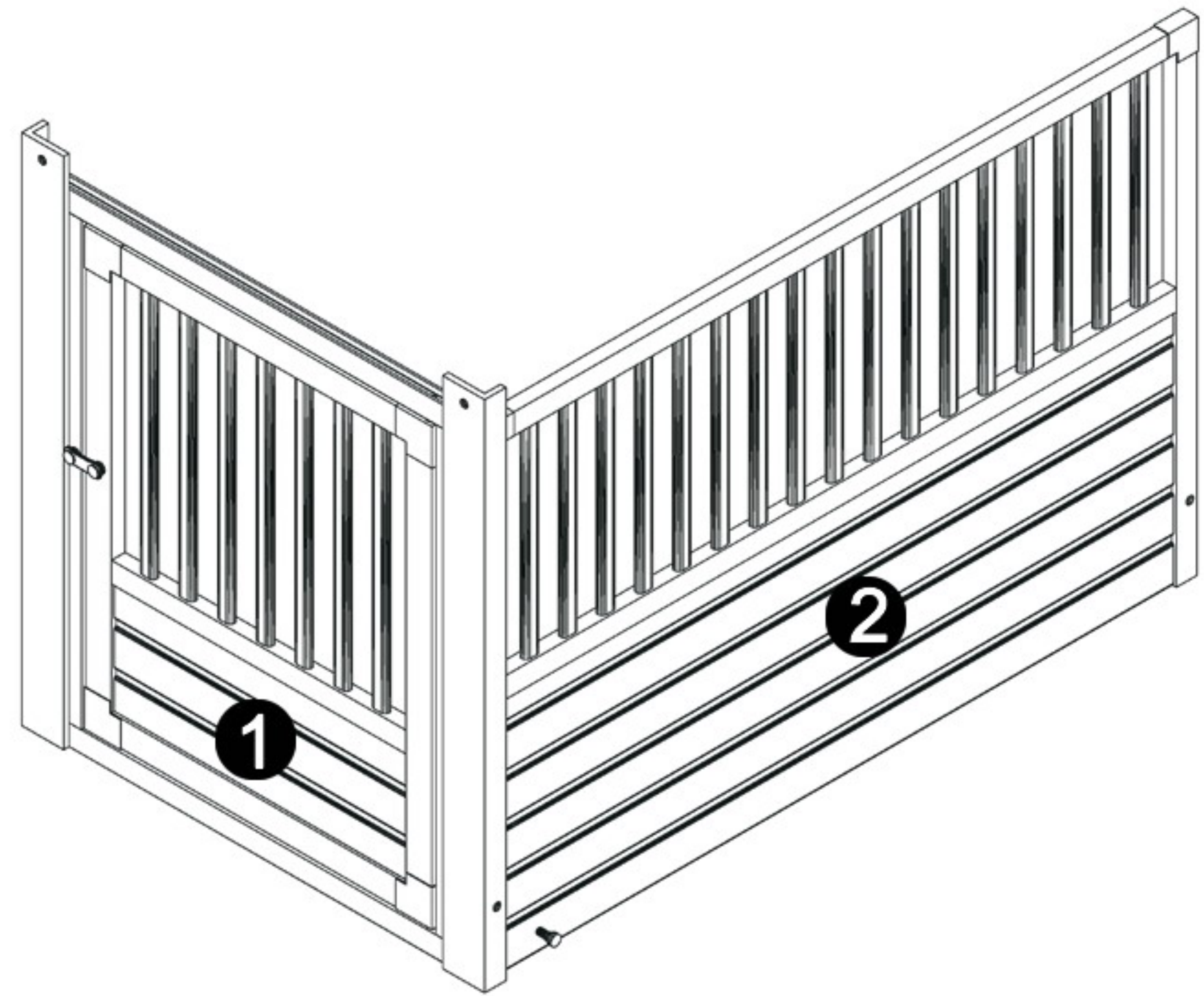
Table Top: 1

Floor Panel: 1

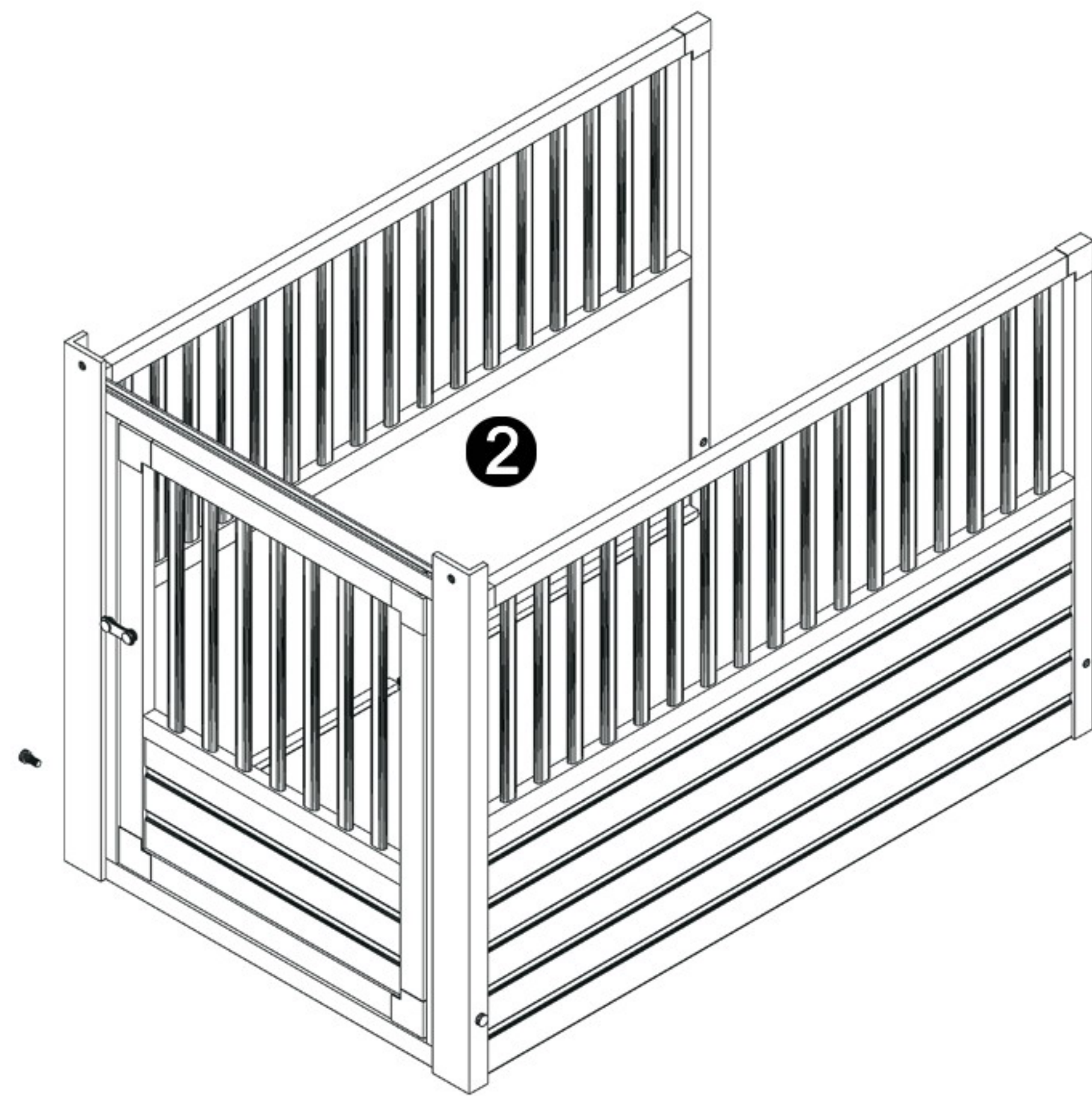
Short Thumb Screw: 4



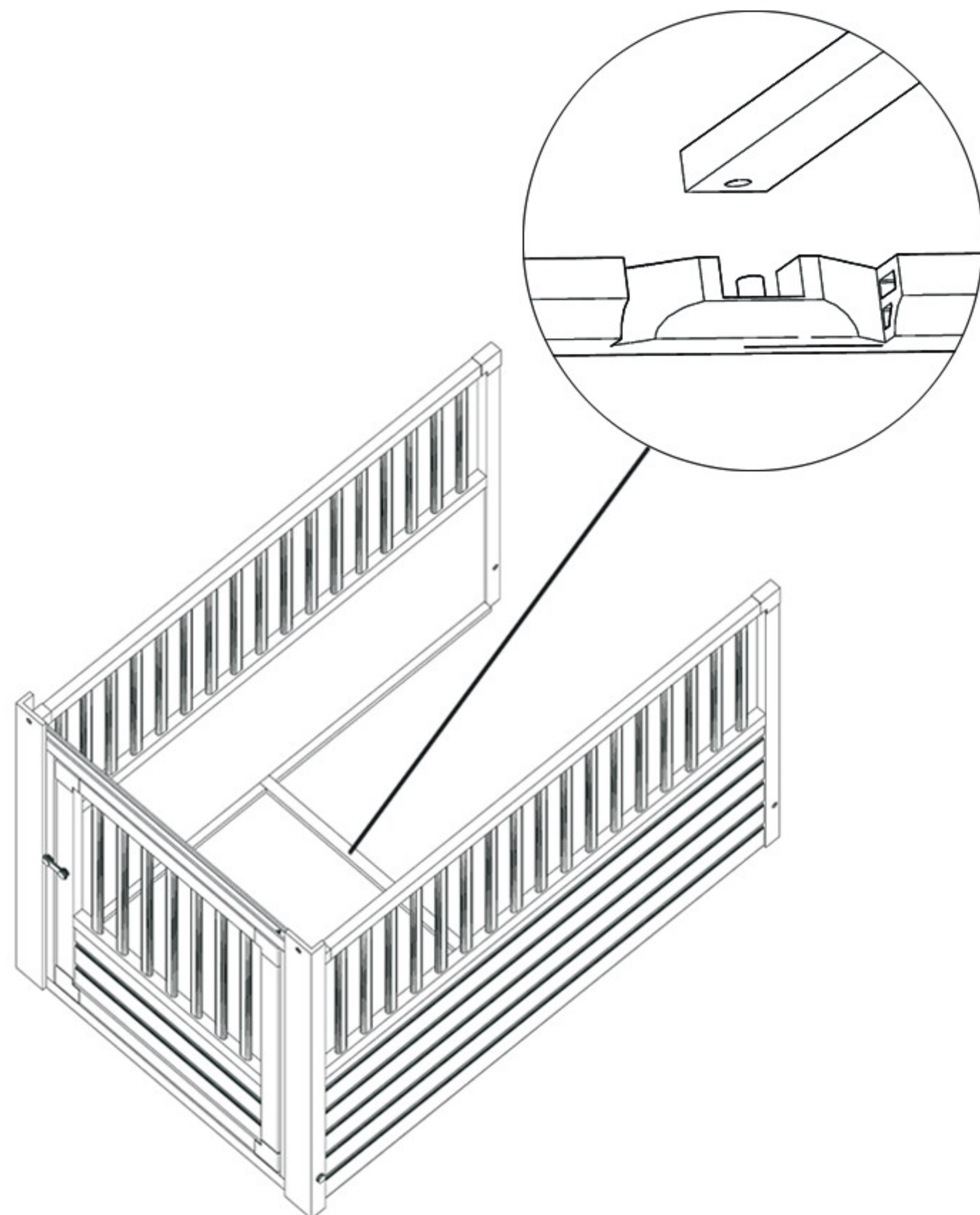
Step 1: Connect the front panel (1) with a side wall panel (2), using ONE Long Thumb Screw.



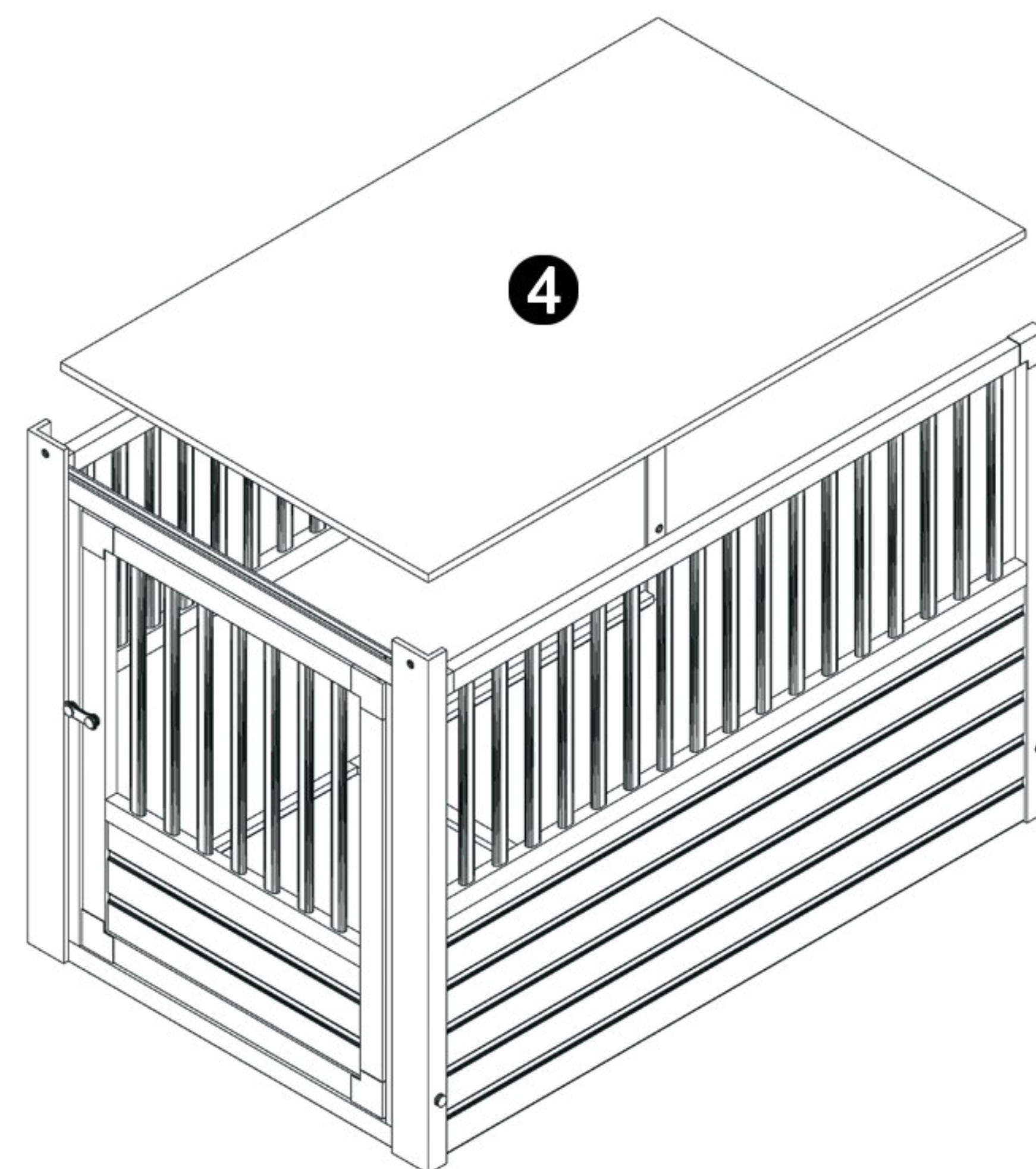
Step 2: Attached the other side wall panel (2) to the front panel with ONE Long Thumb Screw.



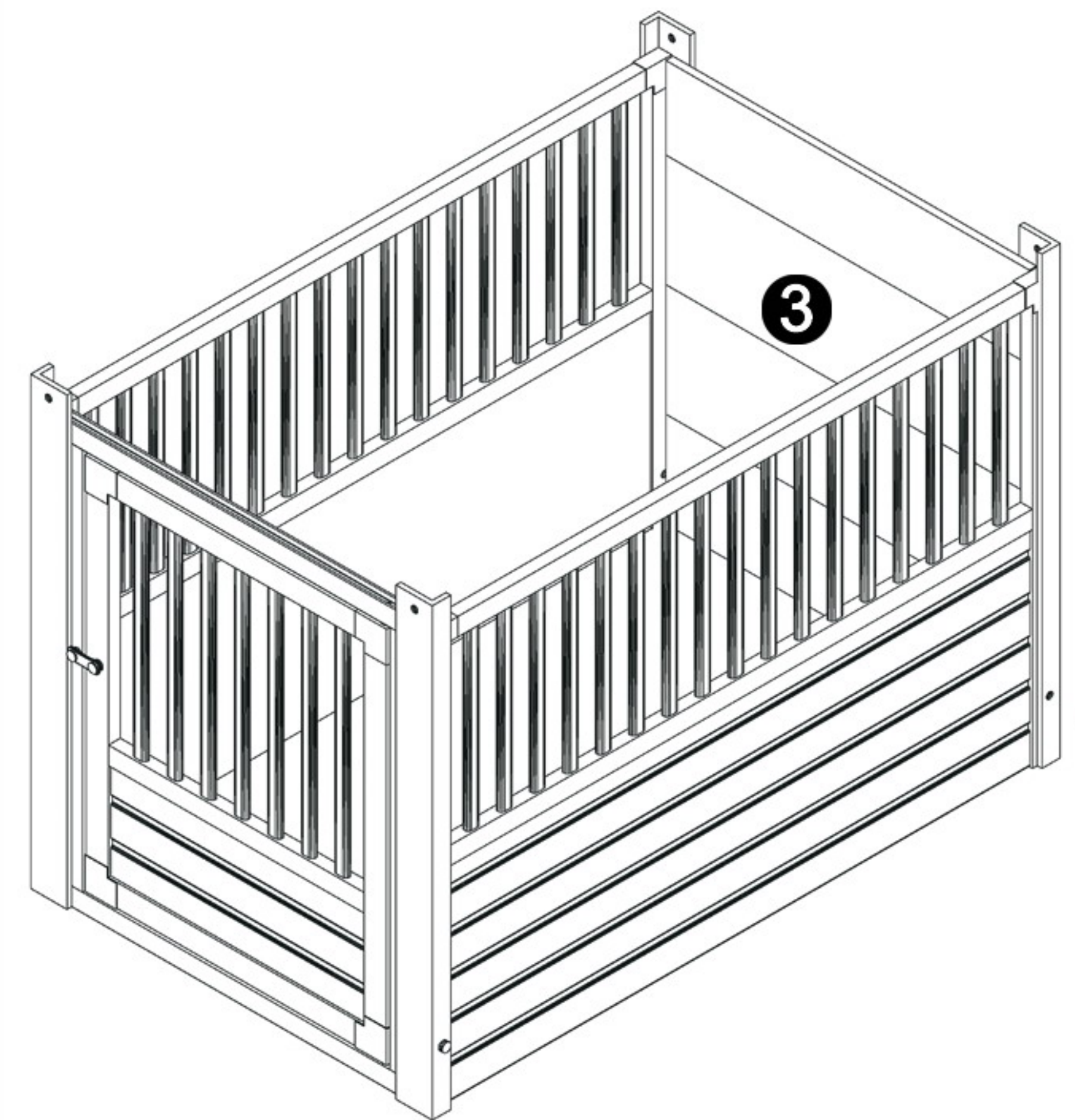
Step 3: (for L and XL only) Install the Floor Support Bar (1 for Large, 2 for XL) by pressing the metal bar onto the plastic brackets preinstalled on the Side Panels.



Step 4: Install the floor panel (4).

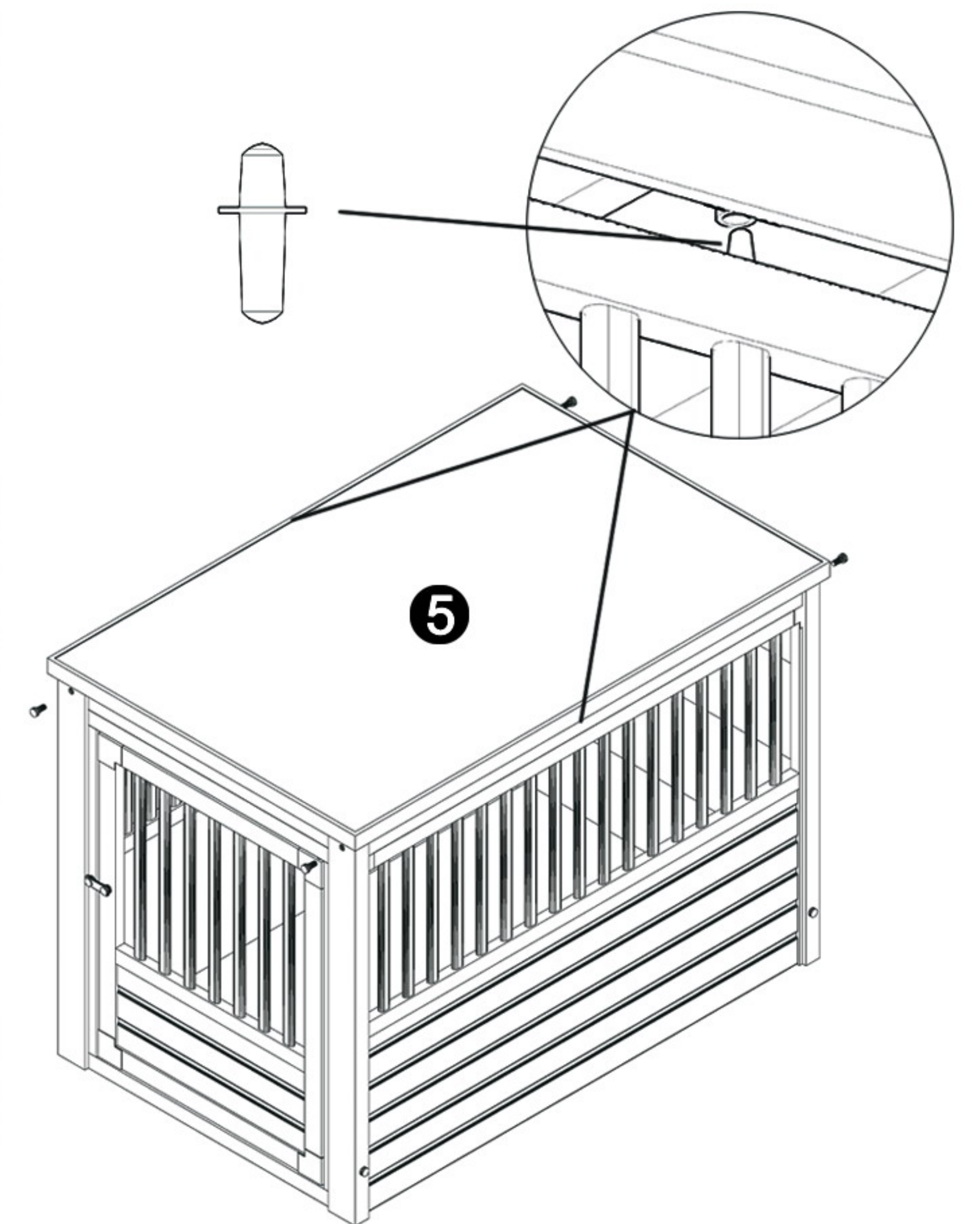


Step 5: Attached the back panel (3) with the side wall panels with TWO Long Thumb Screws, one on each side.



Step 6A: (for L and XL only) Insert the Side Wall Pin into the bracket preinstalled on the upper edge of the Side Wall Panel.

Step 6B: Place the table top (5) in place and secure it by FOUR Short Thumb Screws, one on each corner.



Complete.

